

NEXGRILL

OAKFORD 580

PELLET GRILL
BARBECUE AUX GRANULES
BARBACOA DE PELLETS DE MADERA
PILLEGRILL
PELLET-GRILL

Model/Modèle/Modelo/Model/Modell: 910-05001

OAKFORD

PELLET  GRILLS

Owner's Guide
Guide Du Propriétaire
Guía Del Propietario
Ejers Guide
Handbuch für Eigentümer

IMPORTANT INFORMATION.
MUST READ BEFORE OPERATING.
KEEP FOR FUTURE REFERENCE.

INFORMATION IMPORTANTE.
LIRE AVANT L'UTILISATION.
CONSERVER POUR CONSULTATION ULTÉRIEURE.

INFORMACIÓN IMPORTANTE.
LEER ANTES DE USAR EL PRODUCTO.
GUARDE ESTA GUÍA PARA FUTURAS CONSULTAS.

VIGTIG INFORMATION.
SKAL LÆSES FØR DRIFT. BEHOLD
TIL FREMTID REFERENCE.

WICHTIGE INFORMATIONEN.
MUSS VOR DEM BETRIEB GELESEN WERDEN.
FÜR ZUKÜNFTIGES NACHSCHLAGEN AUFBEWAHREN.



**A MAJOR CAUSE OF FIRES IS FAILURE TO MAINTAIN
REQUIRED CLEARANCES (AIR SPACES) TO
COMBUSTIBLE MATERIALS. IT IS OF UTMOST
IMPORTANCE THAT THIS PRODUCT BE INSTALLED
ONLY IN ACCORDANCE WITH THESE INSTRUCTIONS.**

DO NOT USE INDOORS!
Not for commercial use.

Ne pas utiliser dans des locaux fermés!
À usage non commercial.

¡No utilizar en locales cerrados!
No apto para uso comercial

BRUG IKKE INDENDØRS!
Ikke til kommerciel brug.

NICHT DRINNEN VERWENDEN!
Nicht für die gewerbliche Nutzung

910-05001-100821

TABLE OF CONTENTS / TABLE DES MATIÈRES / ÍNDICE / INDHOLDSFORTEGNELSE / INHALTSVERZEICHNIS

EN

Important Safety Information	4	Turning Off Your Grill	18
Pellet Grill System	6	Lighting Your Grill – Manually.....	19
Package Parts List.....	7	Changing Pellets.....	19
Assembly Instructions	9	Using Temperature Probes	19
Controller Guide.....	17	Care and Maintenance Instructions.....	20
Operating Instructions	18	Troubleshooting.....	21
Before First Use.....	18	Electrical Circuit Diagram.....	22
Each and Every Use.....	18	Limited Warranty	23
Lighting Your Grill – Automatically.....	18	Replacement Parts.....	24

FR

Consignes de sécurité importantes	26	Arrêt du barbecue	41
Barbecue aux granules	29	Allumage manuel.....	42
Liste des pièces	30	Changement des granules.....	42
Montage	32	Cuisson avec thermomètre	42
Panneau de commande	40	Nettoyage et entretien	43
Utilisation	41	Dépannage	44
Avant la première utilisation	41	Schéma de circuit	45
À chaque utilisation	41	Garantie limitée	46
Allumage automatique	41	Pièces de rechange	47

ES

Información de seguridad importante	50	Encendido manual	66
Sistema de parrilla de pellets	53	Cómo apagar la parrilla	66
Lista de piezas	54	Cómo cambiar los pellets	67
Instrucciones de montaje	56	Cómo usar las sondas de temperatura	67
Guía del controlador	64	Instrucciones de cuidado y mantenimiento	68
Instrucciones de funcionamiento	65	Solución de problemas	69
Antes de usar por primera vez	65	Diagrama del circuito eléctrico	70
Cada vez que utilice el producto	65	Garantía limitada	71
Encendido automático	66	Piezas de repuesto	72

DA

Vigtige sikkerhedsoplysninger	75	Slukning af din grill	90
Pillegrillsystem	78	Optænding af din grill – manuelt	91
Liste over dele	79	Udskiftning af piller	91
Monteringsvejledning	81	Madlavning med temperaturmålere	91
Controller Guide	89	Pleje- og vedligeholdelsesinstruktioner	92
Betjeningsvejledning	90	Fejlfinding	93
Før første brug	90	Elektrisk kredsløbsdiagram	94
Hver eneste brug	90	Begrænset garanti	95
Optænding af din grill – Automatisk	90	Reservedele	96

DE

Wichtige Sicherheitsinformationen	98	Anzünden des Grills – Manuell	114
Pellet-Grill-System	101	Abschalten des Grills	114
Bauteilliste	102	Pellets austauschen	115
Montageanleitung	104	Temperatursonden verwenden.....	115
Anleitung zum Steuerregle	112	Pflege- und Wartungsanweisungen	116
Betriebsanweisungen	113	Fehlerbehebung	117
Vor der ersten Nutzung	113	Elektrischer Schaltplan	119
Bei jeder Nutzung	113	Eingeschränkte Garantie	120
Anzünden des Grills – Automatisch	114	Ersatzteile	121

PLEASE READ THIS ENTIRE MANUAL BEFORE INSTALLATION AND USE OF THIS PELLET FUEL-BURNING APPLIANCE. FAILURE TO FOLLOW THESE INSTRUCTIONS COULD RESULT IN PROPERTY DAMAGE, BODILY INJURY OR EVEN DEATH. SAVE THESE INSTRUCTIONS.

LIRE LE GUIDE AU COMPLET AVANT D'INSTALLER ET D'UTILISER LE BARBECUE AUX GRANULES. LE NON-RESPECT DES INSTRUCTIONS PEUT CAUSER DES DOMMAGES, DES BLESSURES OU LA MORT. CONSERVER LE GUIDE.

LEA ESTE MANUAL EN SU TOTALIDAD ANTES DE INSTALAR Y UTILIZAR ESTE ARTEFACTO CON COMBUSTIÓN A PELLETS. EL INCUMPLIMIENTO DE ESTAS INSTRUCCIONES PODRÍA PROVOCAR DAÑOS MATERIALES, LESIONES FÍSICAS O INCLUSO LA MUERTE. GUARDE ESTAS INSTRUCCIONES.

LÆS VENLIGST HELE DENNE MANUAL FØR INSTALLATION OG BRUG AF DETTE PILLEBRÆNDSTOFS-FORBRÆNDINGSAPPARAT. HVIS DISSE INSTRUKTIONER IKKE FØLGES, KAN DET MEDFØRE SKADE PÅ EJENDOM, PERSONSKADE ELLER ENDDA DØD. GEM DISSE INSTRUKTIONER.

BITTE LESEN SIE DAS GESAMTE HANDBUCH VOR DER INSTALLATION UND NUTZUNG DIESES PELLET VERBRENNENDEN GERÄTS DURCH. FALLS SIE SICH NICHT AN DIESE ANWEISUNGEN HALTEN, KANN DIES ZU SACHSCHÄDEN, VERLETZUNGEN ODER SOGAR ZUM TODE FÜHREN. BEWAHREN SIE DIESE ANWEISUNGEN GUT AUF.

CONTACT LOCAL BUILDING OR FIRE OFFICIALS ABOUT RESTRICTIONS AND INSTALLATION INSPECTION REQUIREMENTS IN YOUR AREA.

CONTACTER LES AUTORITÉS LOCALES EN MATIÈRE D'INCENDIE ET DE BÂTIMENT POUR CONNAITRE LES RESTRICTIONS ET EXIGENCES D'INSTALLATION DANS VOTRE RÉGION.

COMUNÍQUESE CON LAS AUTORIDADES LOCALES DE CONSTRUCCIÓN O INCENDIOS PARA CONOCER LAS RESTRICCIONES Y LOS REQUISITOS DE INSPECCIÓN PARA LA INSTALACIÓN EN SU ZONA.

KONTAKT LOKALE BYGNINGS- ELLER BRANDMYNDIGHEDER OM BEGRÆNSNINGER OG KRAV TIL INSTALLATIONSINSPEKTION I DIT OMRÅDE.

FALLS SIE FRAGEN ÜBER EINSCHRÄNKUNGEN UND DIE ANFORDERUNGEN AN INSTALLATIONEN IN IHREM BEREICH HABEN, WENDEN SIE SICH BITTE AN DIE ÖRTLICHEN GEBÄUDE- ODER BRANDSCHUTZBEAUFTRAGTEN.

IMPORTANT SAFETY INFORMATION

WARNING! Follow these guidelines to prevent this colorless, odorless gas from poisoning you, your family or others:

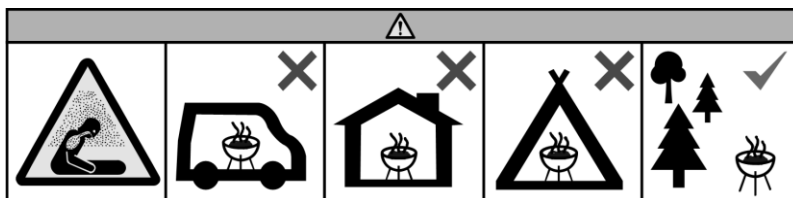
- Know the symptoms of carbon monoxide poisoning: headache, dizziness, weakness, nausea, vomiting, sleepiness, and confusion. Carbon monoxide reduces the blood's ability to carry oxygen. Low blood oxygen levels can result in loss of consciousness and death.
- See a doctor if you and others develop cold or flu-like symptoms while cooking or in the vicinity of this appliance. Carbon monoxide poisoning, which can easily be mistaken for cold or flu, is often detected too late.
- Alcohol consumption and drug use increase the effects of carbon monoxide poisoning.

Carbon monoxide is especially toxic to mother and child during pregnancy, infants, the elderly, smokers, and people with blood or circulatory system problems, such as anemia, or heart disease.



Questions, problems, missing parts?

Before returning to your retailer, call our customer service department at 1-800-913-8999 in USA and 1-800-648-5864 in Canada, language spoken: English, French, Spanish 8 a.m.-5 p.m., PST. Monday-Friday. CustomerService@GrillServices.com



WARNING! Do not use the barbecue in a confined and/or habitable space e.g. houses, tents, caravans, motor homes, boats. Danger of carbon monoxide poisoning fatality.

WARNING! If fire occurs:

- Keep away from the appliance and immediately call your local fire department.
- Do not try to move appliance, smother fire, or put water on the fire
- Keep the appliance clean – refer to the Care and Maintenance Instructions.

CAUTION! Never use gasoline, gasoline-type lantern fuel, kerosene, charcoal lighter fluid, or similar liquids to start or 'freshen up' a fire in this appliance. Keep all such liquids well away from the appliance when in use.


WARNING! This barbecue will become very hot, do not move it during operation.


WARNING!

- Do not use heating grade pellets. Use only cooking grade pellets manufactured of 100% natural wood that is intended for pellet grill usage.
- We recommended using pellets with the following specifications: 8,000-8,500 BTU/LB with ash content less than 1%.
- Do not use pellet fuel labeled as having additives.
- Never put wood chips or chunks into the hopper.
- Only use dry pellets. If the grill was stored with the hopper full, check the pellets to ensure that they are completely dry before use. Hardwood pellets can absorb moisture in wet or humid environments, causing them to expand and possibly obstruct or jam the auger system.
- Never allow the hopper to empty while the grill is in operation. Make sure to fill the pellet hopper with enough pellets before use or refill the pellet hopper as necessary.

CALIFORNIA PROPOSITION 65

CALIFORNIA RESIDENTS ONLY:

 **WARNING!** This product can expose you to chemicals including wood dust and soot, which are known to the state of California to cause cancer.

 **WARNING!** This product can expose you to chemicals including carbon monoxide, which is known to the state of California to cause birth defects or other reproductive harm.

For more information, go to: www.P65Warnings.ca.gov.

SAFETY PRACTICES TO AVOID INJURY

When properly cared for, your grill will provide safe and reliable service for many years. However, extreme care must be used as the grill produces intense heat that has a potential to cause injury when misused. When using this appliance, basic safety practices must be followed, including the following:

- Do not repair or replace any part of the grill unless specifically recommended in this manual. All other service should be referred to a qualified technician.
- This outdoor cooking appliance is not intended to be installed in or on boats and other recreational vehicles.

SAFETY PRACTICES TO AVOID INJURY

- Do not use this grill under any overhead combustible construction including ceilings or overhangs.
- **WARNING!** Keep children and pets away. Children should not be left alone or unattended in an area where the grill is being used. Do not allow them to sit, stand or play in or around the grill at any time.
- This appliance can be used by children aged from 8 years and above and persons with reduced physical, sensory or mental capabilities or lack of experience and knowledge if they have been given supervision or instruction concerning use of the appliance in a safe way and understand the hazards involved. Children shall not play with the appliance. Cleaning and user maintenance shall not be made by children without supervision.
- If the supply cord is damaged, it must be replaced by a special cord or assembly available from the manufacturer or its service agent.
- Do not store items of interest to children around or below the grill.
- For personal safety, wear proper apparel. Loose fitting garments or sleeves should never be worn while using this appliance. Some synthetic fabrics are highly flammable and **should not** be worn while cooking.
- Always use heat-resistant gloves or mitts when handling particularly hot components.
- When using the grill, do not touch the warming rack, burner grate or immediate surroundings as these areas become extremely hot and could cause burns. Use only dry potholders. Moist or damp potholders on hot surfaces may cause steam burns. Do not use a towel or bulky cloth in place or potholders. Do not allow potholders to touch hot portions of the grill rack.
- Only certain types of glass, heat-proof glass ceramic, earthenware, or other glazed utensils are suitable for grill use. These materials may break with sudden temperature changes. Use only on low or medium heat settings in accordance with the manufacturer's guidelines.
- Do not heat unopened food containers. A build-up of pressure may cause the containers to burst.
- Never lean over an open grill.
- Grease is flammable. Let hot grease cool before attempting to handle it. Clean out the grease tray and grease bucket often to avoid build-up.
- Do not use water to control flare ups or extinguish the fire. Turn off the grill, unplug the power cord, and wait for the grill to cool down.
- Always have the grease system properly installed while operating this grill. Never operate without a grease bucket in place under the side shelf.
- Dispose of ashes after the grill has completely cooled following a proper shutdown. Wait until grease and ash are completely cooled before disposing.
- Wait until the fuel is extinguished and the grill is completely cool before moving, covering, or storing the grill.
- Do not use aluminum foil to line the grill racks or grill bottom. This can severely upset combustion air flow or trap excessive heat in the control area.
- Clean the grill with caution. To avoid steam burns, do not use a wet sponge or cloth to clean the grill while it is hot. Some cleaners produce toxic fumes or can ignite if applied to a hot surface.
- Turn off grill controls and make certain the grill is cool before using any type of aerosol cleaner on or around the grill. The chemical that produces the spraying action could, in the presence of heat, ignite or cause metal parts to corrode.
- Keep the area surrounding the grill free from combustible materials including, fluids, trash, and vapors such as gasoline or charcoal lighter fluid. Do not obstruct the flow of combustion and ventilation air.
- To reduce the risk of fire, remove pots and pans while the operating appliance is unattended.
- Do not use accessories that are not specified for this appliance.
- The use of alcohol, prescription, or non-prescription drugs may impair the consumer's ability to properly assemble or safely operate the appliance.
- Disposal of ashes – Ashes should be placed in a metal container with a tight-fitting lid. The closed container of ashes should be placed on a non-combustible floor or on the ground, well away from all combustible materials, pending final disposal. When the ashes are disposed by burial in soil or otherwise locally dispersed, they should be retained in the closed container until all cinders have thoroughly cooled.

CAUTION: ELECTRICAL COMPONENTS



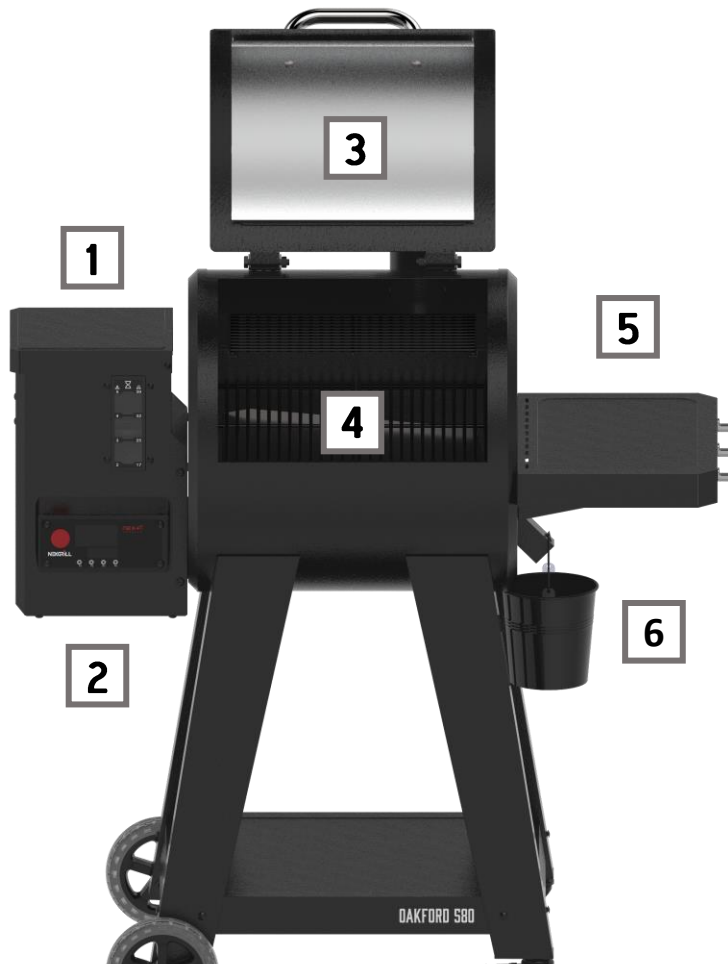
- Disconnect the electric power before servicing. Do not attempt to clean or repair the grill while it is connected to an electricity source.
- The external electrical power source used for this appliance must be electrically grounded in accordance with local codes.
- Check the plug receptable before use. Do not plug in the grill if it is damaged.
- Make sure that the power cord does not come in contact with any hot surfaces.
- Do not cut or remove the grounding prong from the plug. Only use a GFCI protected circuit to power the grill.
- High voltage used to power the grill can cause electric shock, or even death. Do not immerse any electronic or heating element in liquid. Do not use near any source of water or in the rain.
- When unplugging the grill, never pull from the cord. Always pull from the plug itself.



CAUTION:

Do not install or use grill within 24 in (60.96 cm) of combustible materials from back and sides of grill. Grill shall not be located under overhead surfaces (closed carport, garage, porch, patio) that can catch fire.

PELLET GRILL SYSTEM



1 HOPPER

The large capacity hopper is equipped with rear-access pellet cleanout and can hold enough pellets for an all-day smoking session. The I-Site™ pellet fuel indicator shows the estimated hours of fuel remaining in the hopper, depending on your cooking mode.

2 DIGITAL CONTROLLER

The Wi-Fi and Bluetooth® † enabled SureTemp™ controller with built-in precise temperature control technology can be used to set and adjust the temperature, timer, and cooking options. For the full Oakford™ experience, connect to the NEX-Fi app. See “Connecting to Wi-Fi Network and Bluetooth® †” section for instructions.

3 LID AND FIREBOX

The high temperature resistance coating helps prevent rusting and cracking over time, keeping your grill looking better for longer. The gasket around the lid helps trap the smoke, delivering a more smoky flavor for your culinary experience.

4 LARGE COOKING AREA

The porcelain-coated, easy clean, cooking grates will hold plenty of food for all your guests. The top warming rack can be removed to accommodate larger pieces of meat.

5 PREP SPACE

The front and/or side shelves provide ample prep space to hold all your food; with room left over for cooking utensils, seasoning spices, or a cold beverage. Three hooks are located on the side shelf for hanging your grilling tools or mittens. For models that include a front shelf, it can be easily closed by pulling it up and then folding down.

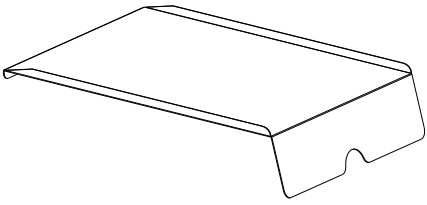
6 GREASE SYSTEM

Any grease that drips onto the grease tray channels into the bucket. We recommend using aluminum liners for the grease bucket for quick and easy clean up.

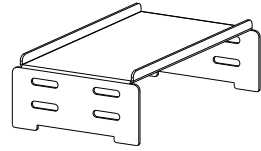
† Bluetooth® is a registered trademark of The Bluetooth Special Interest Group (SIG).

PACKAGE PARTS LIST

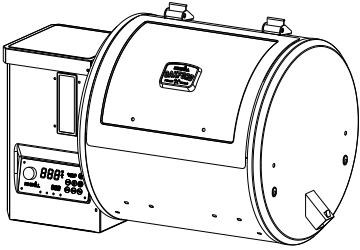
1



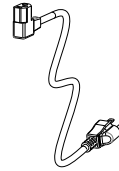
2



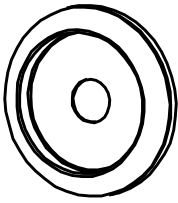
3



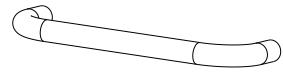
4



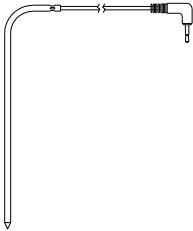
5 X2



6



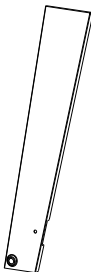
7



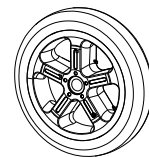
8



9



10 X2

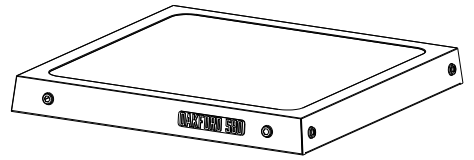


PACKAGE PARTS LIST

11 X2



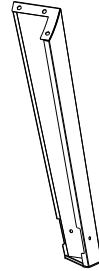
12



13



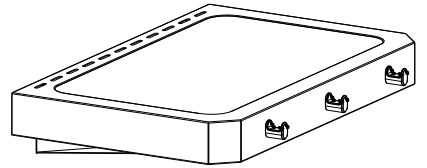
14



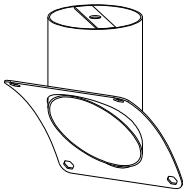
15



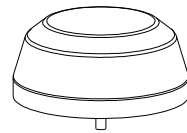
16



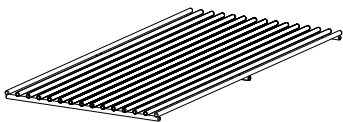
17



18



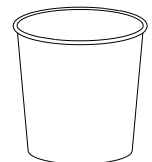
19 X2



20



21 X2



ASSEMBLY INSTRUCTIONS



PREPARATION:

Before beginning assembly, installation or operating the product, make sure all parts are present and undamaged. Compare parts with packaging contents list and diagram above. If any part is missing or damaged, do not attempt to assemble, install or operate the product. Contact our customer service for replacement parts.

READ ALL SAFETY WARNINGS, ASSEMBLY AND INSTALLATION INSTRUCTIONS CAREFULLY BEFORE ATTEMPTING TO ASSEMBLE.

HARDWARE

A X26



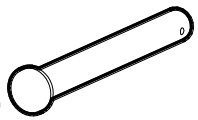
B X26



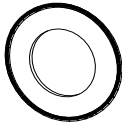
C X26



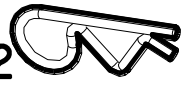
D X2



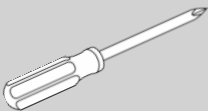
E X2



F X2



TOOLS NEEDED (NOT INCLUDED)



Phillips Screwdriver

SOME PARTS COME WITH SCREWS PRE-INSTALLED. LOOSEN AND TIGHTEN FOR FINAL ASSEMBLY.

TIPS:

- Some assembly steps will require 2 people.
- Use a flat and level surface to assemble the grill.

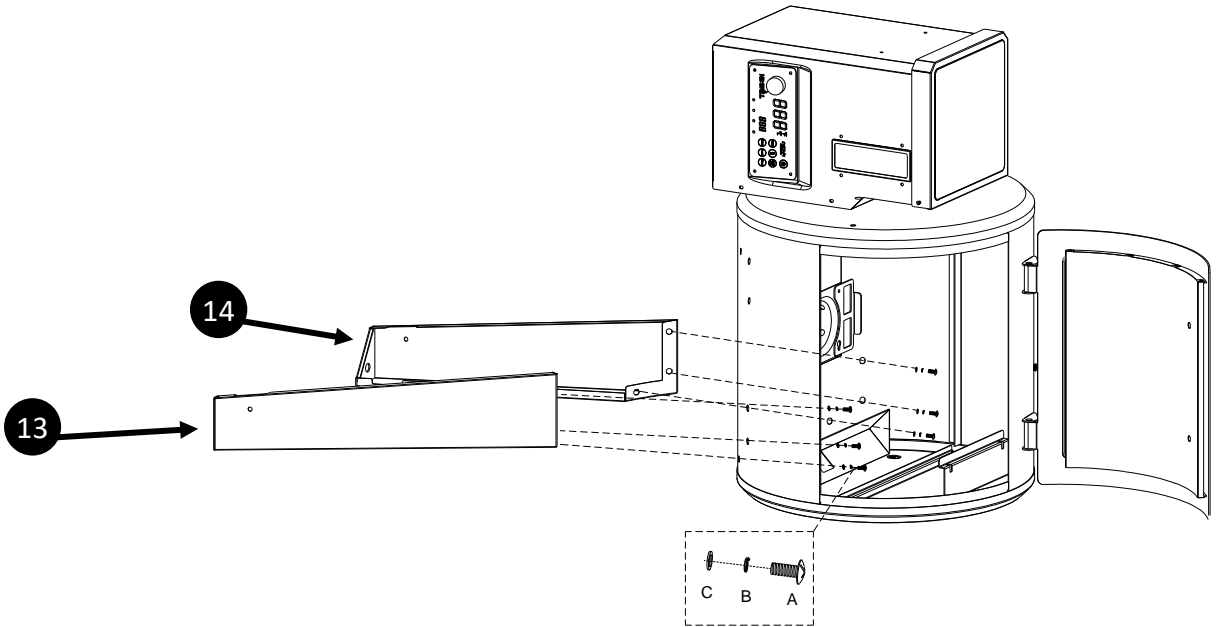


CAUTION!

Incomplete or improper assembly may be dangerous. Do not use the grill if any parts are missing. The grill must be assembled properly according to the instructions provided by the manufacturer.

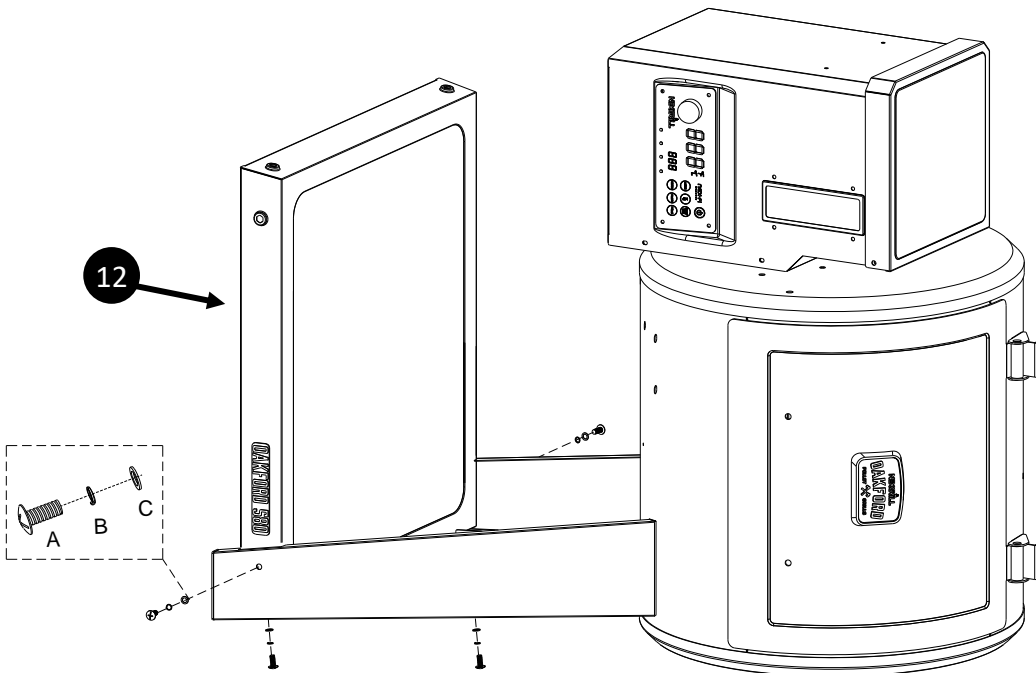
1

A×6 B×6 C×6



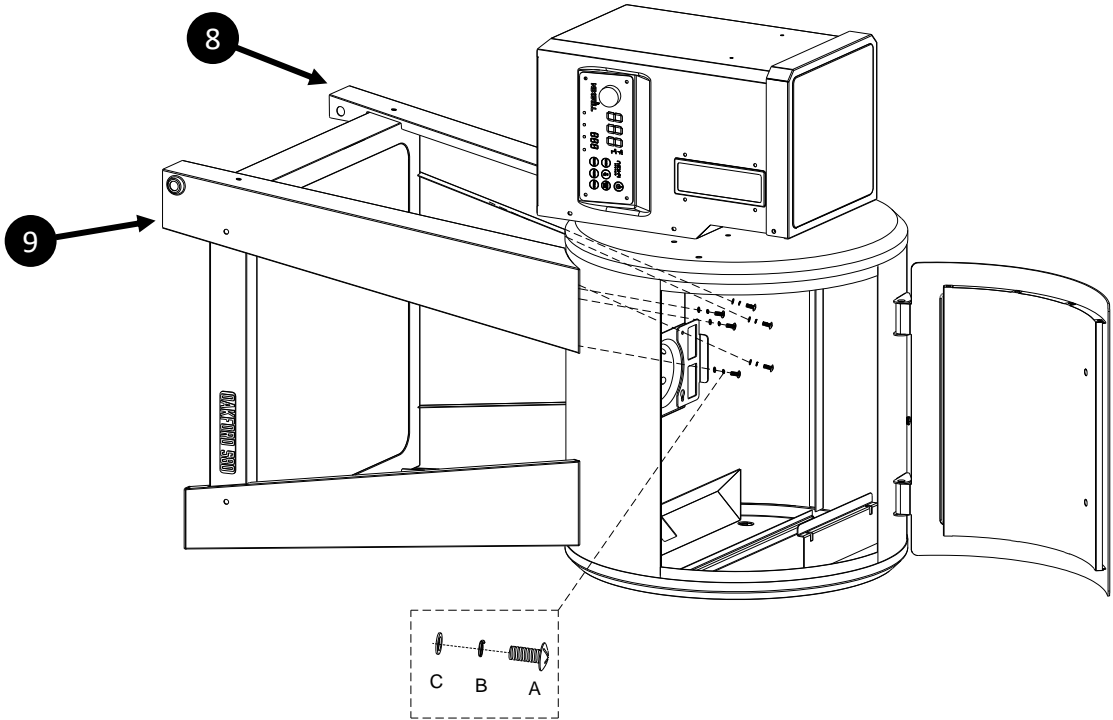
2

A×4 B×4 C×4



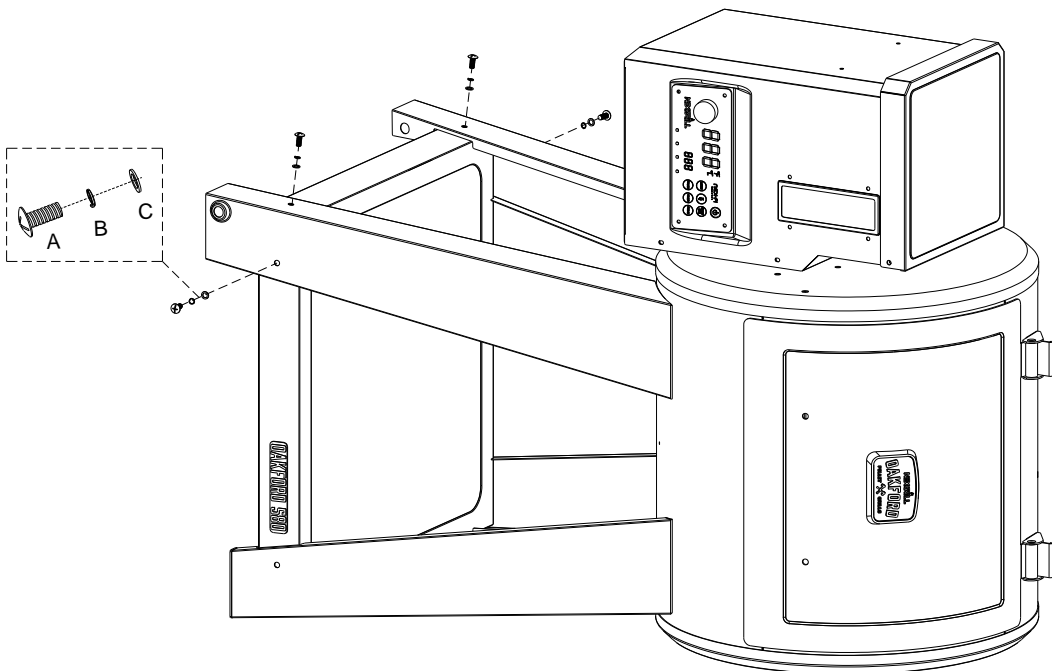
3

A×6 B×6 C×6



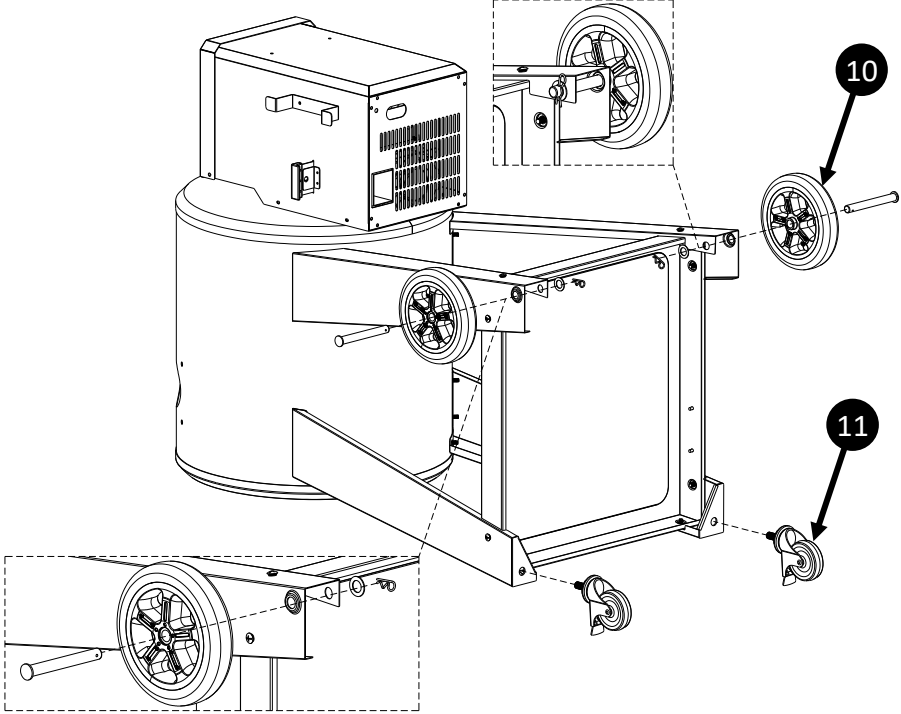
4

A×4 B×4 C×4

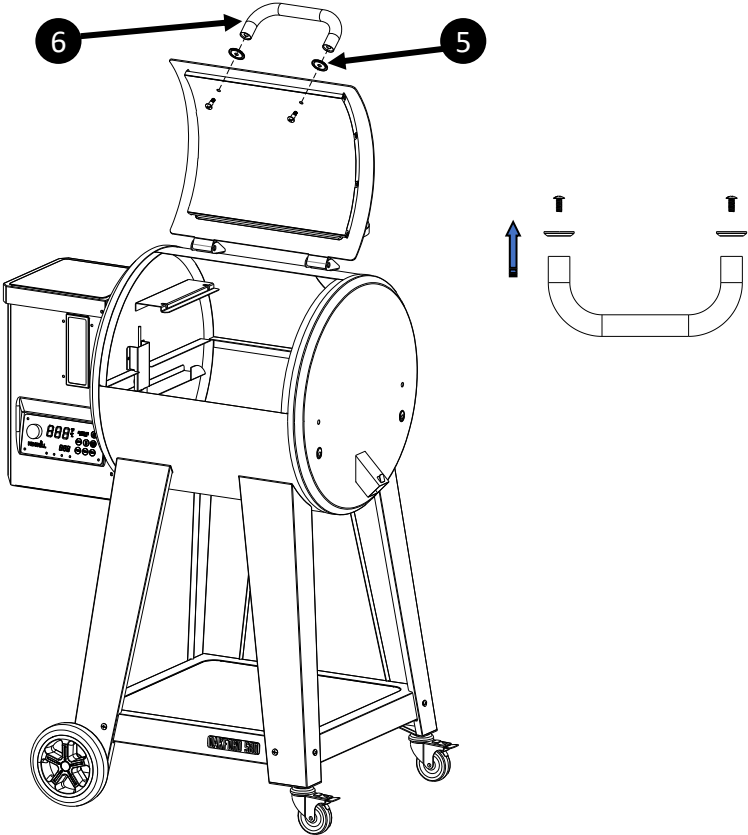


5

D×2 E×2 F×2

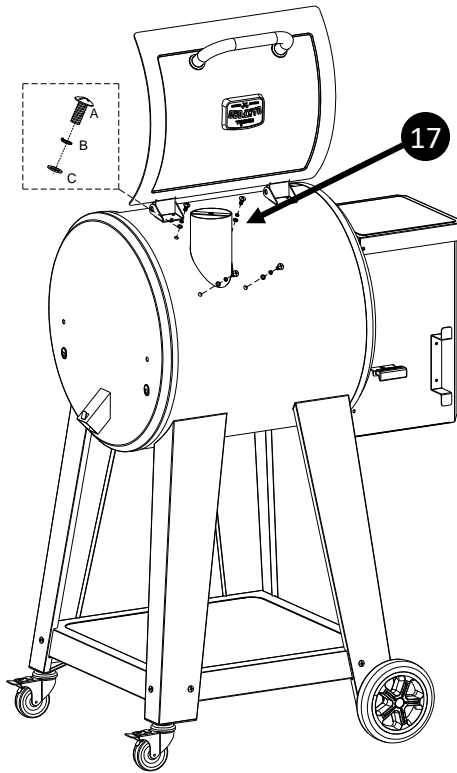


6

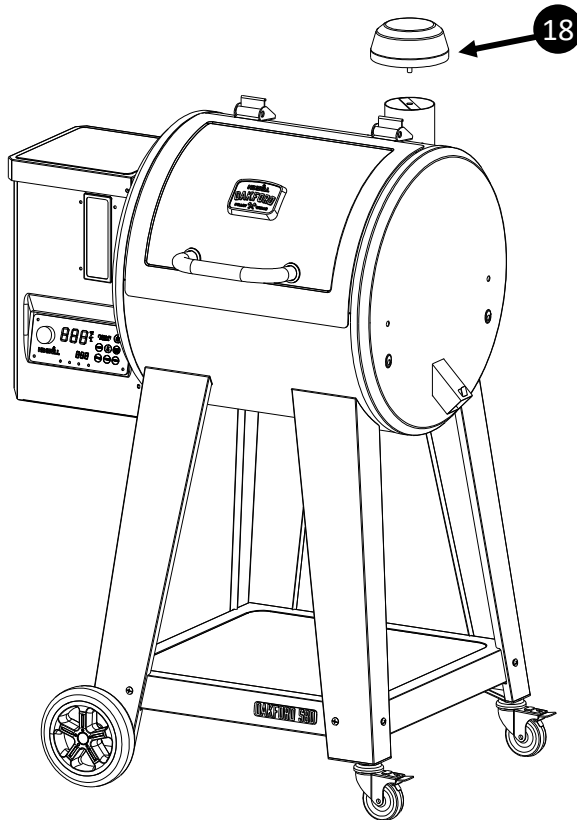


7

A×4 B×4 C×4

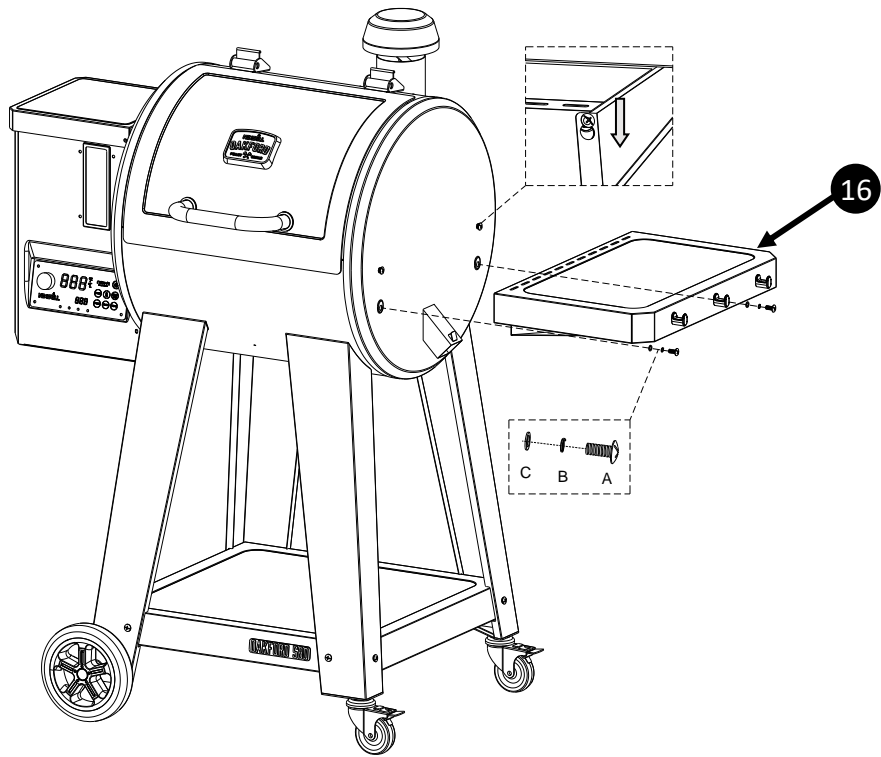


8

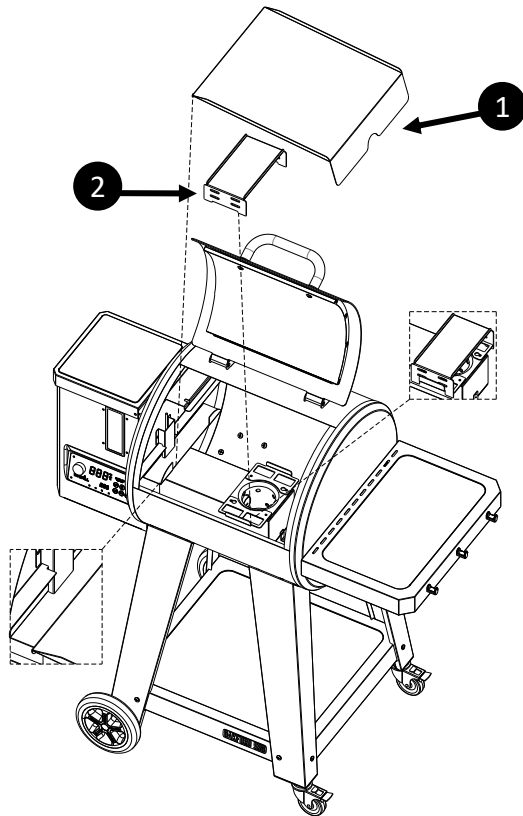


9

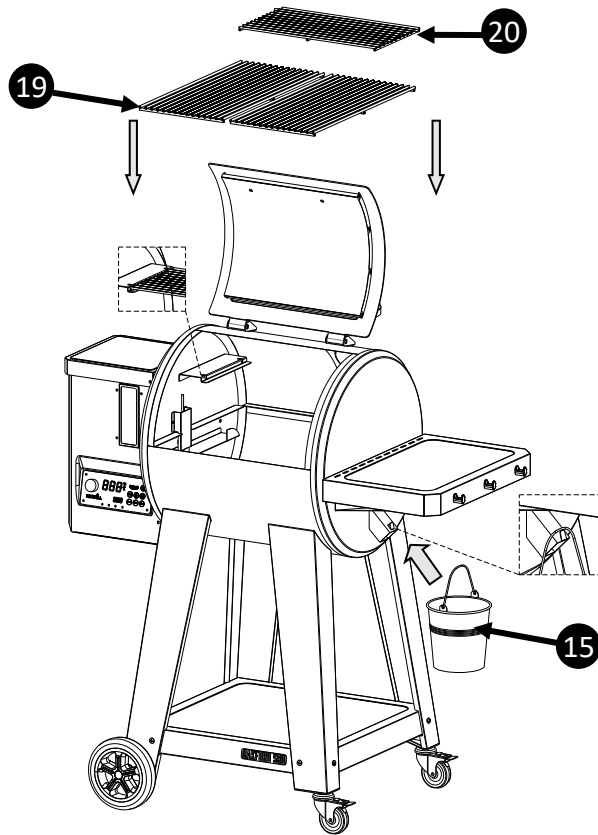
A×2 B×2 C×2



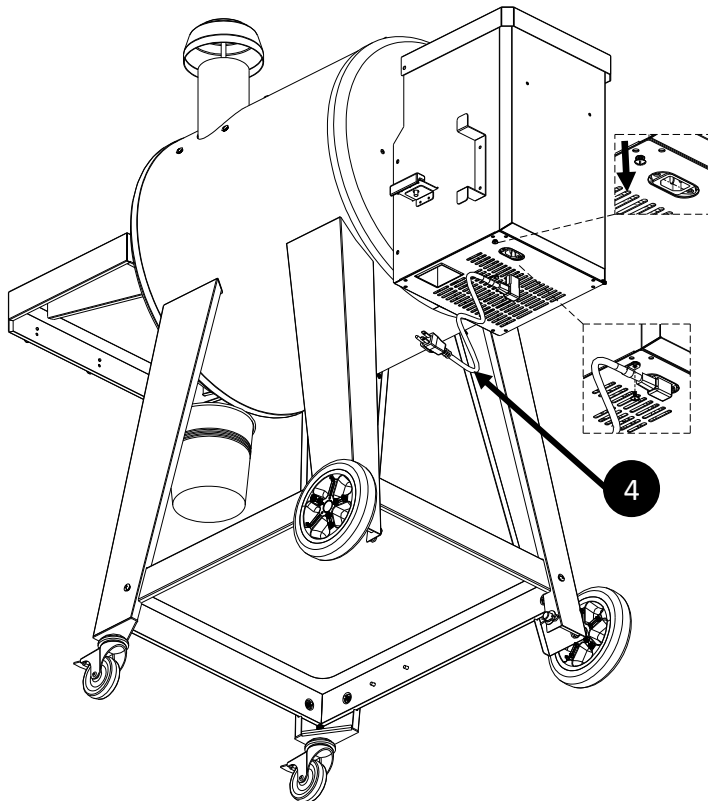
10

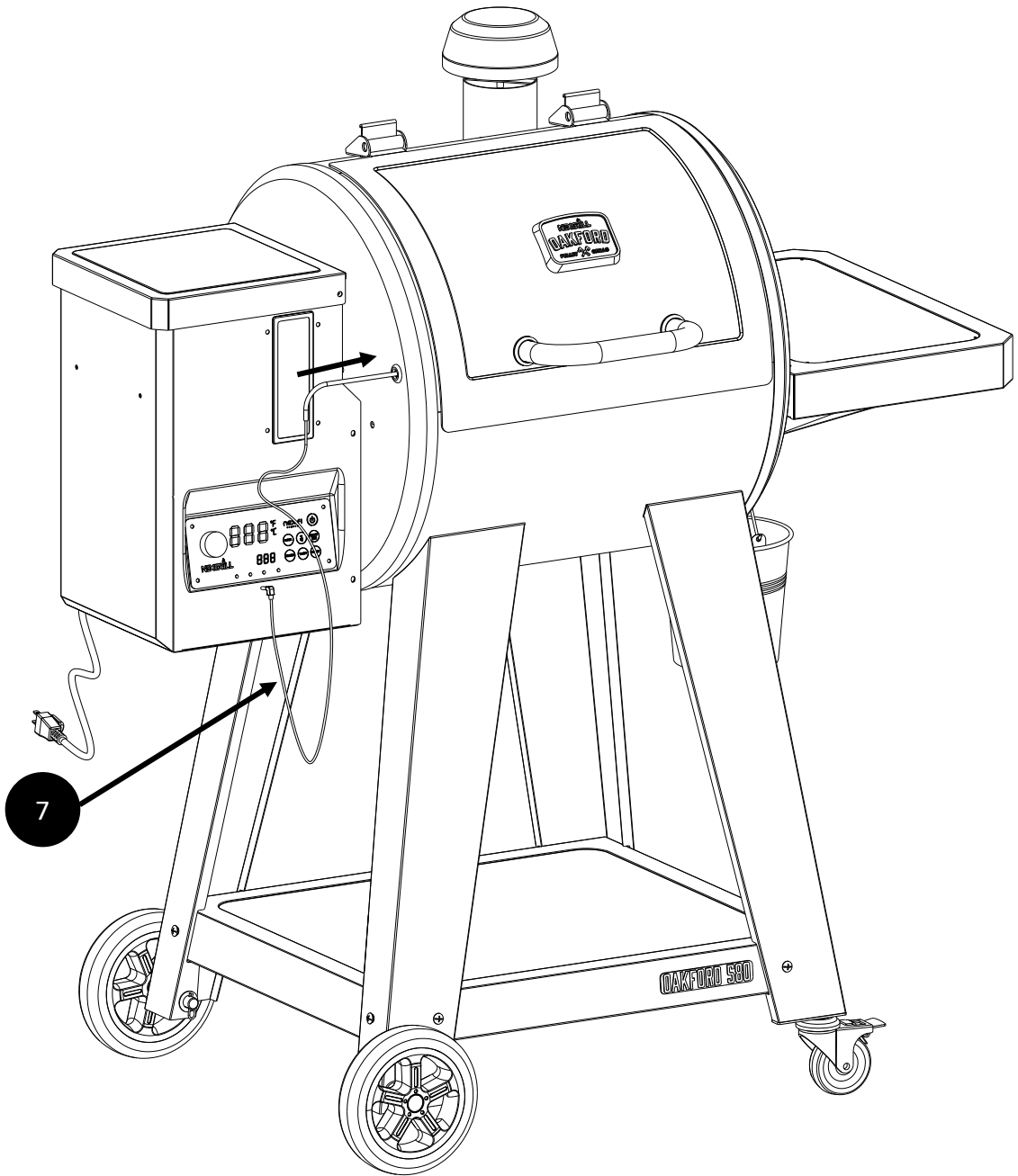


11

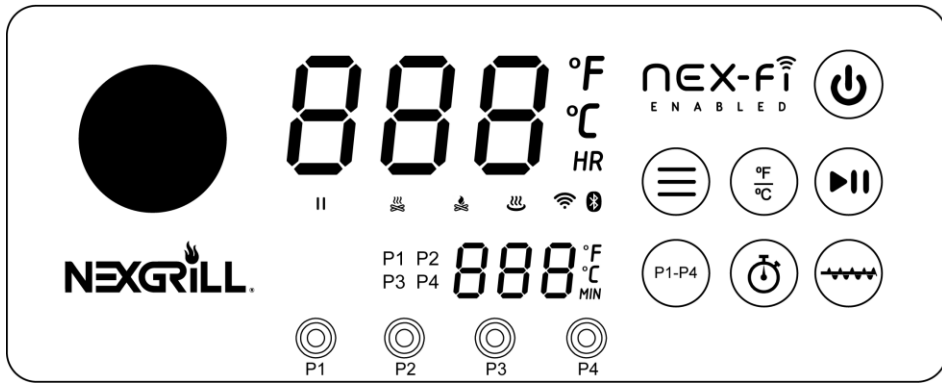


12





CONTROLLER GUIDE



CONTROL DIAL

Turn this control dial to adjust the values for the timer, meat probe temperature, and grill temperature. Push the control dial to confirm new targeted value. The grill temperature can be adjusted in 5 °F (3 °C) increments. During cooking, push the knob to display the current grill set temperature.



POWER

Press to turn on the controller. When finished cooking, press again to enter the automatic shutdown process.



MODE

Press to cycle between the three preset operating modes. Press the control dial to confirm mode selection with default a temperature or adjust the temperature before selecting by rotating the control dial.

	SMOKE MODE Pre-programmed for slow smoking, this program has a default temperature of 225°F (107 °C).
	GRILL MODE Using a PID algorithm for accurate temperature control, this program has a default temperature set to “HI” (above 550°F (288 °C) depending on model).
	WARM MODE Preset to only 180 °F (82 °C), this mode is specifically used to keep food warm. If selected, the grill will automatically switch to WARM when P1 has reached the target temperature.



TEMPERATURE UNIT

Press to switch the temperature scale between Fahrenheit and Celsius.



PLAY/PAUSE

Initially used to start the ignition process once a cooking mode is selected, this can be pressed while cooking to pause the program. It will help prevent auger overfeeding pellets due to a temperature decrease (e.g. lid open). When paused, or once it is powered on, the grill will be in standby and the “||” (pause) icon will illuminate.

Press it again to resume the last program. If no action is taken within five minutes, the grill will enter the shutdown process.



PROBES

This Oakford Pellet Grill can operate up to four temperature probes to help you cook a variety of foods to perfection. Press to cycle through each probe connected. Once the index is displayed (P1, P2, etc.), press and hold for three seconds to set the target temperature. Use the control dial to change the temperature value and press it to confirm the value.



TIMER

Press to set a timer in minutes and hours. The controller will alarm once the time has expired.

To set a timer:

1. Press the button. The lower number display will flash. Adjust the minute value using the control dial. Push the control dial to confirm.
2. Now, the upper number display will flash. Adjust the hour using the control dial. Push the control dial to confirm and start the timer.

The “HR” and “MIN” symbols will flash, indicating that the timer is running. Press the button to check remaining time. Press and hold the button for 3 seconds to cancel the timer.



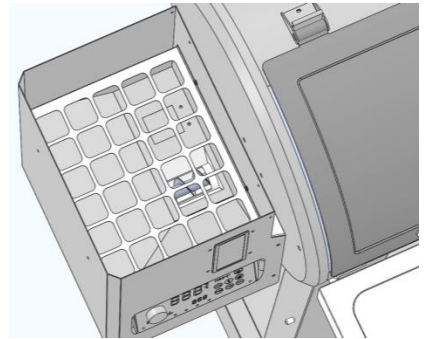
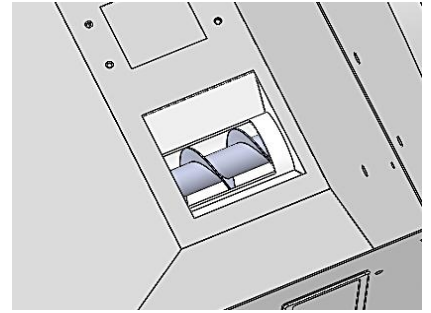
PRIME

Press to run the auger for 30 seconds before or after cooking. If more time is needed to load or empty pellets from the auger tube, press the button again once it stops flashing. Press and hold for 3 seconds to cancel this action.

OPERATING INSTRUCTION

BEFORE FIRST USE

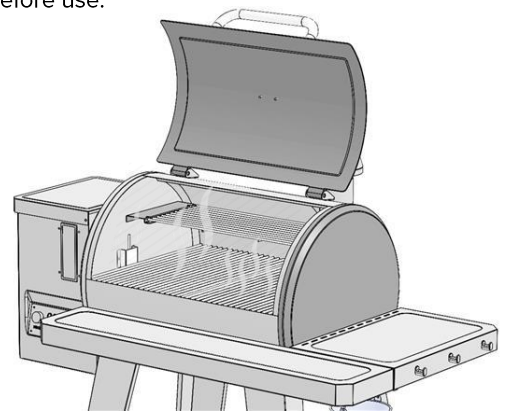
1. Remove all packaging materials from the grill.
2. The barbecue has to be installed on a secure level base prior to use.
3. Open the grill to make sure the warming rack, cooking grids, diffuser and grease tray are properly installed.
4. Open the hopper lid and verify there are no foreign objects obstructing the auger.
5. Make sure the hopper safety guard is in place and the pellet cleanout door is closed and locked.
6. Fill the hopper with your choice of pellets to your desired fuel level and close the hopper lid.
7. Make sure the power cord is connected to the grill before plugging the other end into a grounded electronic outlet.
8. Turn on your grill by pressing the power button on the controller.
9. Open the grill lid.
10. Prime the auger tube by pressing the PRIME button, which activates the auger for 30 seconds. Repeat this cycle until you hear pellets dropping into the fire pot. Press and hold PRIME for 3 seconds to stop it.
11. Using the control dial, set the temperature to 400 °F (204 °C) and press the dial to confirm.
12. Press PLAY/PAUSE to start the ignition process.
13. Once the grill has lit, close the grill lid. During ignition, there may be a large amount of smoke coming from the grill.
14. While monitoring the grill, the barbecue shall be heated up and the fuel kept red hot for at least 30 minutes prior to the first cooking. This will remove manufacturing process oils and help season the grill.
15. After the seasoning is done, press the power button to begin the automatic shutdown process.
16. Once the grill has been properly shut down and cooled, unplug the grill from the power source.
17. Open the lid and clean the cooking grates and warming racks with a grill brush or wood scraper.
18. Clean thoroughly following the instructions in "Care and Maintenance Instruction" section.
19. Once your grill is cleaned, make sure all parts are reinstalled properly before use.



EACH AND EVERY USE

Follow the steps every time you operate your Oakford pellet grill:

1. Make sure the hopper is filled with enough pellets. Refer to the pellet fuel indicator on the hopper for recommended pellet quantity.
2. Clean and dispose of any residual ash and grease. Inspect for creosote buildup. Remove accumulated grease and creosote to reduce the risk of fire.
3. Always plug the power cord into a grounded outlet.
4. Open the grill lid while lighting.
5. Use the Nexgrill app to enhance your grilling experience.



LIGHTING YOUR GRILL - AUTOMATICALLY

Make sure your grill is properly setup and ready for use.

1. Open the grill lid and verify all the components are in place.
2. Ensure the hopper does not contain foreign objects and is filled with enough barbecue pellets.
3. Be certain the auger is primed and ready for use. If not, review PRIME function for proper setup.
4. Plug the power cord into a properly grounded electrical outlet and press the POWER button.
5. Press PLAY/PAUSE, or first enter the desired cooking mode and temperature. If nothing was entered, the grill will start with a default target temperature of 360 °F (182 °C). Within 5 minutes smoke should be visible. If not, turn off the controller and wait 5 minutes before repeating.
6. Once the grill has lit, close the lid. Set the desired cooking mode and temperature if not already entered.
7. Do not cook before the fuel has a coating of ash.

TURNING OFF YOUR GRILL

When your cooking is done, your OAKFORD must be properly turned off to clear the fire pot of any remaining pellets and ashes. Use this procedure to properly turn off your grill after each use.

1. Open the lid, remove all meat probes and food.
2. With the lid still open, press the Power button to begin the automatic shutdown process. During this process, the fan will continue to run until the grill temperature falls below 130 °F (54 °C), at least 15 minutes, to assist with the burn off process. Do not unplug the grill until after the fan has completed this process and turned off.
3. Unplug the grill from the power source.
4. Wait until the grill has cooled down before storing it for your next cook out.

OPERATING INSTRUCTION

LIGHTING YOUR GRILL - MANUALLY

Make sure your grill is properly setup and ready for use.

1. Open the grill lid and remove the grids, grease tray and diffuser.
2. Ensure the hopper does not contain foreign objects and is filled with enough barbecue pellets.
3. Check that the fire pot is clean and does not contain any foreign objects.
4. Plug the power cord into a properly grounded electrical outlet.
5. The auger should be primed and ready for use. If not, review PRIME function for proper setup.
6. Add a handful of barbecue pellets to the fire pot.
7. Add a natural wood fire starter or gel to the fire pot.
8. With a long match or lighter, ignite the fire starter.
9. After the pellets are burning well, replace the diffuser, grease tray and grids.
10. Press the POWER button.
11. Press PLAY/PAUSE. Observe that more pellets have been added and are burning properly.
12. Once the grill has lit, close the lid.
13. Set the desired cooking mode and temperature if not already entered.

WARNING! Do not use spirit or petrol for lighting or re-lighting! Use only use firelighters complying to EN 1860-3!

CHANGING PELLETS

When you want to change the pellet flavor for your next gathering, or purge the hopper for a thorough maintenance, follow the instructions below:

1. Locate the opening on the bottom of pellet hopper and place a large container underneath.
2. From the back of your OAKFORD grill, loosen the lock screw on the pellet cleanout door by turning counterclockwise two full turns (A).
3. Pull out the pellet cleanout door to release the pellets into your container.
4. Once the hopper is empty, push the pellet cleanout door back in and lock it by rotating the lock screw clockwise (B).
5. Connect the grill to a grounded outlet and press the POWER button.
6. Press PRIME so the auger removes pellets from the auger screw into the fire pot. Repeat this until the auger is empty.
7. Using a vacuum, remove the pellets and ash from the fire pot.

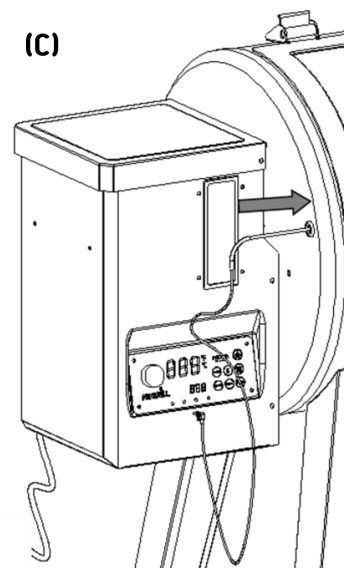
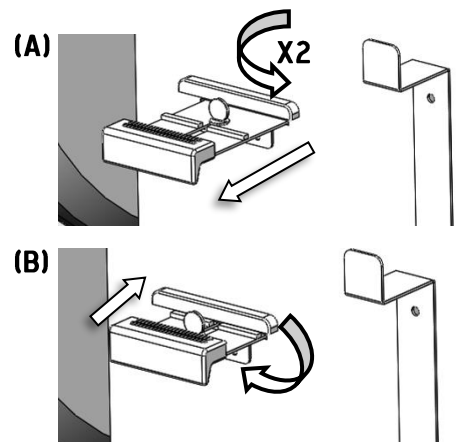
WARNING: Visually inspect the hopper finger safety guard to make sure that it is in place and not damaged before filling the hopper with your choice of pellets. DO NOT change pellets when the grill is hot.

USING TEMPERATURE PROBES

Use the provided meat probe to control your OAKFORD pellet grill by following the steps below:

1. Plug the meat probe into the port at the bottom of the controller*, then route the probe through the opening hole on the left side of the cooking chamber (C). Make sure to wear heat protective gloves.
2. Insert the temperature probe into the thickest part of your choice of meat.
3. Place your food on the cooking grate and close the grill lid.
4. Refer to Controller Feature page for instructions set targeted probe temperature.

***AUTO-WARM FEATURE:** With the meat probe connected to port P1, set the target temperature desired for the food to activate the auto-warm feature. This feature will automatically reduce the set grill temperature to 180 °F (82 °C) and display the WARM icon after the probe temperature hits its targeted temperature. The grill will maintain at WARM setting (for a maximum of 10 minutes) as it awaits the next user input. This is to help prevent food from overcooking if the user is not present when the set meat probe temperature has been reached. To avoid this auto warm feature, please use ports P2 to P4 instead. Alternatively, you can turn off this feature through the "NEX-Fi" APP.



CARE AND MAINTENANCE INSTRUCTIONS



CAUTION!
MAKE SURE THAT THE GRILL IS COOLED AND PLUG UNPLUGGED FROM THE POWER SOURCE BEFORE PERFORMING ANY CLEANING OR MAINTENANCE.

INTERIOR

COOKING GRATES

- After the grill has cooled, scrub both sides of the cooking grates with a wire-bristled grill brush.
- Any stubborn, baked-on food residue can be scraped off with a scraper.
- Grates can also be removed from the grill and washed with dish soap and warm water. Dry thoroughly.
- The cooking grates should be cleaned after each use.

GREASE SYSTEM

- Remove the cooking grids and scrape food and grease residue off the grease tray using a scraper or grill brush.
- Grease tray can also be removed from the grill and washed with dish soap and warm water. Dry thoroughly.
- Grease cup can be lined with foil grease cup liners for easy clean-up.
- The grease tray should be cleaned after each use. The grease cup should be emptied once it reaches $\frac{3}{4}$ full.

INTERIOR SURFACES

- Brush or scrape off any grease or debris accumulated on the interior surfaces using a scraper or grill brush.
- Vacuum ash and food remnants out of the bottom of the firebox and firepot.
- All surfaces can be washed with mild, soapy water and/or a mild degreaser. Dry thoroughly.
- Interior surfaces should be monitored and cleaned when build-up of grease and debris has accumulated, but not less than twice per year.

EXTERIOR

COATED AND PLASTIC SURFACES

- After the grill has cooled completely, exterior surfaces can be wiped down with a mild mixture of soap and water. Dry thoroughly.
- Do not use abrasive cleaners.

STAINLESS STEEL (APPLICABLE ON SOME MODELS)

- Use a stainless-steel cleaner and non-abrasive, lint-free cloth to clean stainless steel components.
- Always rub in the direction of the grain to avoid scratches and do not use paper towels.

DO NOT SPRAY THE GRILL WITH A GARDEN HOSE OR POWER WASHER TO PREVENT DAMAGE TO ELECTRICAL COMPONENTS.

STORAGE

- Always store your grill with a cover between uses to prevent corrosion or other damage to the grill, especially if it is stored in a rainy or humid environment.
- Do not store the grill with the hopper and/or auger full of pellets, especially in wet or humid conditions. Moisture will expand the pellets and can lead to an auger jam. Use the pellet quick release door located at the back of the hopper to empty leftover pellets into a container and burn off any pellets remaining in the auger before storage.
- Store spare wood pellets in an airtight container, away from heat-producing appliances, moisture, and other fuel containers. Before use, check the freshness of your pellets by breaking one in half. The pellet should break with a snap. If it crumbles, that means your pellet is not fresh and will impact the performance of the grill.



- **Creosote – Formation and need for removal.** When wood pellets are burned slowly, they produce tar and other organic vapors that combine with expelled moisture to form creosote. The creosote vapors condense in a relatively cool oven flue and exhaust hood of a slow burning fire. As a result, creosote residue accumulates on the flue lining and exhaust hood. When ignited, this creosote makes an extremely hot fire.
- The grease duct should be inspected at least twice a year to determine when grease and/or creosote build up has occurred.
- When grease or creosote has accumulated, it should be removed to reduce risk of fire.

ERROR CODES

On a rare occasion, your controller would detect an issue and you may see an error code displayed on the controller. Please refer to the following table for descriptions and solutions:

ERROR CODE	ERROR DESCRIPTION	SOLUTION
ER1	Firebox thermocouple sensor failure	This error will occur when the thermocouple has lost connection to the controller due to a loose wire connection or failure of the thermocouple, which will require a replacement.
ER2	Ignition failure	This error will occur when the grill fails to detect a temperature increase within 15 minutes of temperature set, indicating a failure to ignite. Ambient temperature, clogged auger tube, lack of pellets, ash build-up, etc. can impact ignition. Check the pellet feed system and restart the grill.
ER3	High Temperature Limit Failure	This error will occur when the grill temperature exceeds 675 °F (357 °C). Let the grill cool down, then turn off the grill. Restart the grill after clearing out the remaining pellets from the firebox.
ER4	Low Temperature Limit Failure	If the grill temperature falls too far below the set temperature, this code will appear. This can happen when grilling with the lid open. In that case, the user can clear the error code by pushing the control dial. If not cooking with the lid open, it may indicate that the igniter has gone out. In that case the user should shut down the grill and empty out the burn pot before restarting.
ER5	Probe Communication Failure	This error will occur if a temperature probe plugged into port P1 that has a set target temperature loses connection. Verify that the meat probe is properly connected to the controller. If problem persists, the probe will need to be replaced.
ER9	Network Communication Failure	If the controller was previously connected to the Wi-Fi network, this error indicates that the internet is not working and/or the connection to the Wi-Fi network has been disconnected. Restart your grill, make sure where you grill has a strong Wi-Fi signal.

NOTE: To dismiss an error code, push the control dial.

GIVE US A CALL

For help or replacement parts, please call our customer service department at: 1-800-913-8999, 8 a.m. - 5 p.m., PST, Monday-Friday.



IMPORTANT:

Use only factory authorized parts. The use of any part that is not factory authorized can be dangerous. This will also void your warranty.

TROUBLESHOOTING

FREQUENTLY ASKED QUESTIONS

QUESTION	ANSWER
What do I do if the auger jams?	<ol style="list-style-type: none"> 1. Unplug the grill and wait for it to cool down. 2. If the jam cannot be broken up from the pellet hopper opening, the auger and motor may need to be removed. 3. Contact customer service for help with removing the auger to clear it.
Why is the temperature of my pellet grill fluctuating?	Temperature fluctuations are normal. Any significant fluctuation could be the result of wind and ambient temperature, pellet quantity, or lack of maintenance. Avoid using the pellet grill when it is windy or raining outside.
Why is the fire not remaining lit?	Excess ash in the burn pot can cause this by covering the igniter and preventing the pellets from burning. Unplug the grill and wait for it to cool down, then remove the cooking grids, grease tray, and heat diffuser. Remove any pellets and ash from the burn pot. A vacuum with a hose attachment is ideal to remove ashes from the burn pot.
Why is the grill not heating to the set temperature?	This is typically due to the burn pot not getting enough oxygen to achieve the desired temperature. Inspect the burn pot and make sure it does not contain too much ash. Check the hopper and add more pellet if necessary. Replace them if they are damp. You should also check the fan to make sure it is working.
How do I avoid flare-up?	If you are cooking food that contain a lot of fat/grease, keep the temperature at or below 350 °F (177 °C) to avoid flare-up.

HOW TO ORDER REPLACEMENT PARTS

To make sure you obtain the correct replacement part(s) for your grill, please refer to the replacement parts list. Keep this assembly and operating instruction manual for convenient referral, and for replacement parts ordering.

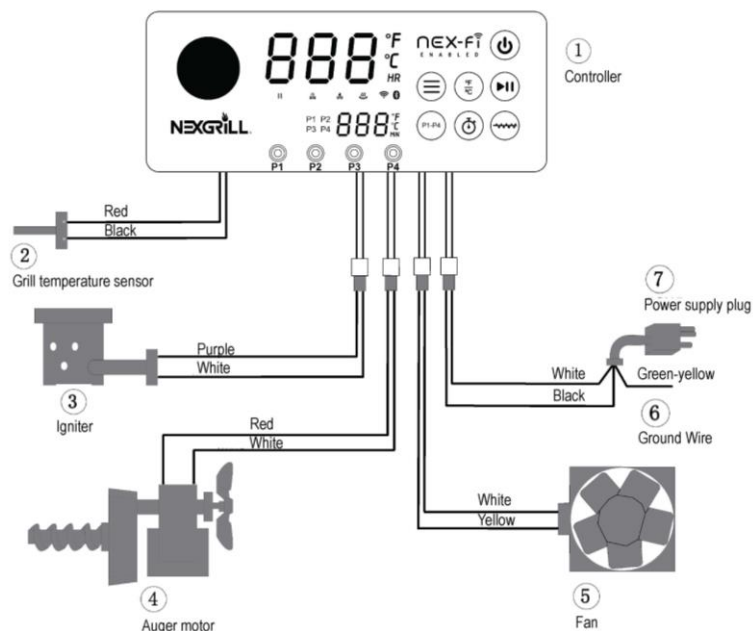
THE FOLLOWING INFORMATION IS REQUIRED TO ENSURE THE CORRECT PART IS ORDERED:

- Oakford™ pellet grill model number
- Serial number
- Part number
- Description
- Quantity

TO OBTAIN REPLACEMENT PARTS, PLEASE CONTACT OUR CUSTOMER SERVICE HOTLINE

1-800-913-8999 in USA 8 a.m.-5 p.m., PST. Monday-Friday.

ELECTRICAL CIRCUIT DIAGRAM



LIMITED WARRANTY

The manufacturer warrants to the original consumer-purchaser **ONLY** that this product (*Model # 910-05001*) shall be free from defects in workmanship and materials after correct assembly and under normal and reasonable home use for the periods indicated below beginning on the date of purchase. The manufacturer reserves the right to require photographic evidence of damage, or that defective parts be returned, postage and/or freight pre-paid by the consumer, for review and examination. Nexgrill's obligation is limited to repair, replacement, or depreciated value, at the option of Nexgrill.

All Pellet Grill Models	WARRANTIES
Firebox and all components not covered below	5 years
Electrical Components	3 years
Cooking grates	3 years

Upon consumer supplying proof of purchase as provided herein, Manufacturer will repair or replace the parts which are proven defective during the applicable warranty period. Parts required to complete such repair or replacement shall be free of charge to you except for shipping costs, as long as the purchaser is within the warranty period from the original date of purchase. The original consumer-purchaser will be responsible for all shipping charges of parts replaced under the terms of this limited warranty. This limited warranty is applicable in the United States and Canada only, is only available to the original owner of the product and is *not transferable*. Manufacturer requires reasonable proof of your date of purchase. Therefore, you should retain your sales receipt and/or invoice. If the unit was received as a gift, please ask the gift-giver to send in the receipt on your behalf, to the below address. Defective or missing parts subject to this limited warranty will not be replaced without registration or proof of purchase. **This limited warranty applies to the functionality of the product ONLY and does not cover cosmetic issues such as scratches, dents, corrosions or discoloring by heat, abrasive and chemical cleaners or any tools used in the assembly or installation of the appliance, surface rust, or the discoloration of stainless-steel surfaces. Surface rust, corrosion, or powder paint chipping on metal parts that does not affect the structural integrity of the product is not considered a defect in workmanship or material and is not covered by this warranty.** This limited warranty will not reimburse you for the cost of any inconvenience, food, personal injury or property damage. If an original replacement part is not available, a comparable replacement part will be sent. You will be responsible for all shipping charges of parts replaced under the terms of this limited warranty.

MANUFACTURER WILL NOT PAY FOR:

- Service calls to your home.
- Repairs when your product is used for other than normal, single-family household or residential use.
- Damage resulting from accident, alteration, misuse, lack of maintenance/cleaning, abuse, fire, flood, acts of God, improper installation, and installation not in accordance with electrical or plumbing codes or misuse of product.
- Any food loss due to product failures.
- Replacement parts or repair labor costs for units operated outside the United States or Canada.
- Pickup and delivery of your product.
- Postage fees or photo processing fees for photos sent in as documentation.
- Repairs to parts or systems resulting from unauthorized modifications made to the product.
- The removal and/or reinstallation of your product.
- Shipping cost, standard or expedited, for warranty/non warranty and replacement parts.

DISCLAIMER OF IMPLIED WARRANTIES; LIMITATION OF REMEDIES

Repair or replacement of defective parts is your exclusive remedy under the terms of this limited warranty. Manufacturer will not be responsible for any consequential or incidental damages arising from the breach of either this limited warranty or any applicable implied warranty, or for failure or damage resulting from acts of God, improper care and maintenance, grease fire, accident, alteration, replacement of parts by anyone other than manufacturer, misuse, transportation, commercial use, abuse, hostile environments (inclement weather, acts of nature, animal tampering), improper installation or installation not in accordance with local codes or printed manufacturer instructions.

THIS LIMITED WARRANTY IS THE SOLE EXPRESS WARRANTY GIVEN BY THE MANUFACTURER. NO PRODUCT PERFORMANCE SPECIFICATION OR DESCRIPTION WHEREVER APPEARING IS WARRANTED BY MANUFACTURER EXCEPT TO THE EXTENT SET FORTH IN THIS LIMITED WARRANTY. ANY IMPLIED WARRANTY PROTECTION ARISING UNDER THE LAWS OF ANY STATE, INCLUDING IMPLIED WARRANTY OF MERCHANTABILITY OR FITNESS FOR A PARTICULAR PURPOSE OR USE, IS HEREBY LIMITED IN DURATION TO THE DURATION OF THIS LIMITED WARRANTY.

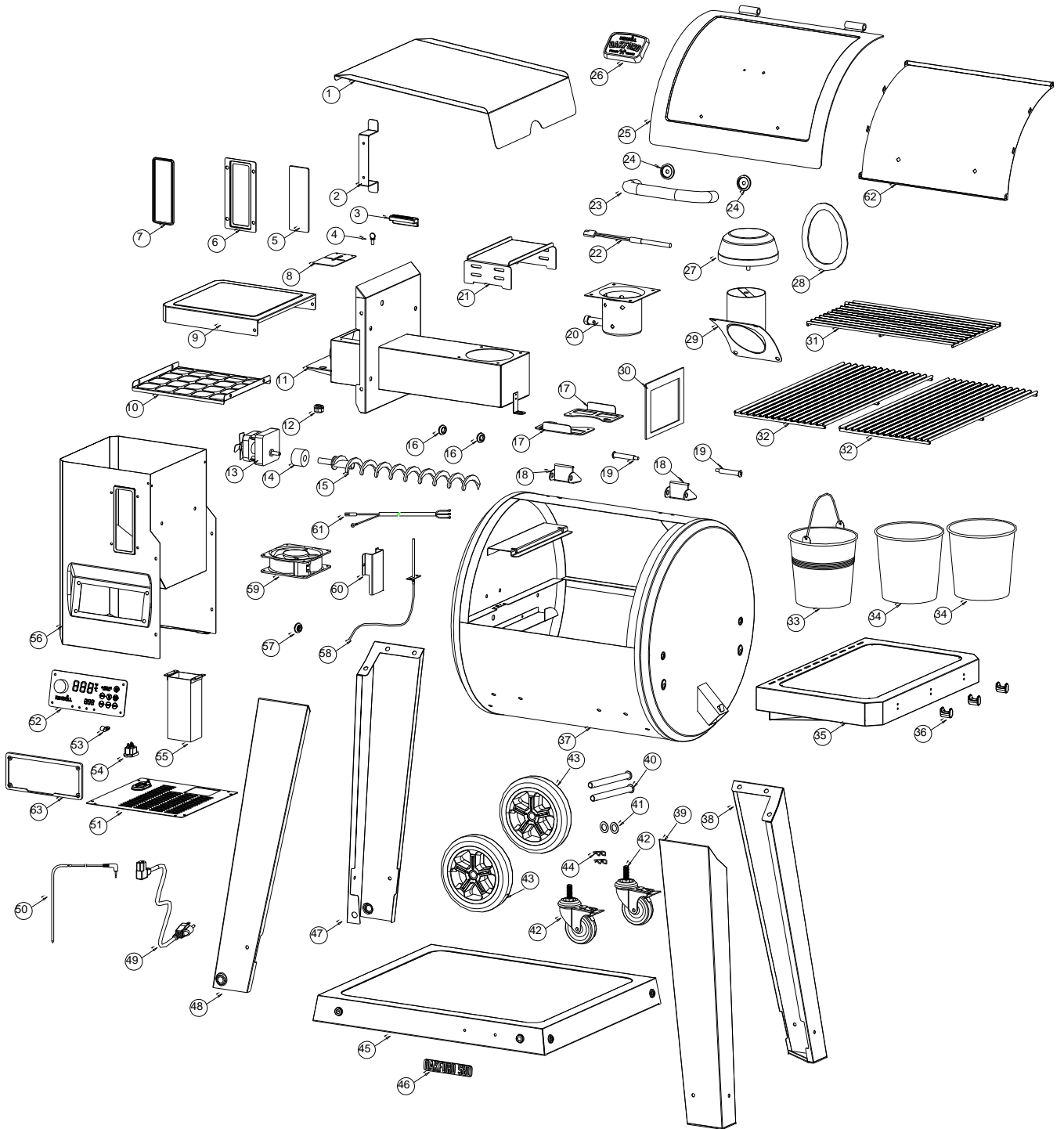
Neither dealers nor the retail establishment selling this product has any authority to make any additional warranties or to promise remedies in addition to or inconsistent with those stated above. Manufacturer's maximum liability, in any event, shall not exceed the documented purchase price of the product paid by the original consumer. This warranty only applies to units purchased from an authorized retailer and or re-seller. NOTE: Some states do not allow an exclusion or limitation of incidental or consequential damages, so some of the above limitations or exclusions may not apply to you; this limited warranty gives you specific legal rights as set for herein. You may also have other rights which vary from state to state.

If you wish to obtain performance of any obligation under this limited warranty, you should write to:

**Nexgrill Customer Relations
14050 Laurelwood Pl
Chino, CA 91710**

All consumer returns, parts orders, general questions, and troubleshooting assistance can be acquired by calling 1-800-913-8999 in USA and 1-800-648-5864 in Canada, language spoken: English, French, Spanish 8 a.m.-5 p.m., PST. Monday-Friday.

REPLACEMENT PARTS



REPLACEMENT PARTS

NO.	PART (DESCRIPTION)	WARRANTY COVERAGE	QTY	NO.	PART (DESCRIPTION)	WARRANTY COVERAGE	QTY
1	Grease Tray	5	1	33	Grease Bucket	5	1
2	Power Cord Bracket	5	1	34	Grease Bucket Liner	5	2
3	Drop Chute Plate Handle	5	1	35	Side Shelf	5	1
4	Drop Chute Plate Screw	5	1	36	Hook	5	3
5	Glass Window	5	1	37	Firebox	5	1
6	Glass Window Bracket	5	1	38	Cart Leg, Rear Right	5	1
7	Glass Window Seal	5	1	39	Cart Leg, Front Right	5	1
8	Pellet Cleanout Door	5	1	40	Wheel Axle	5	2
9	Hopper Lid	5	1	41	Wheel Washer	5	2
10	Hopper Safety Screen	5	1	42	Locking Caster	5	2
11	Auger Housing	5	1	43	7" Wheel	5	2
12	Power Cord Fastener	5	1	44	Wheel Cotter Pin	5	2
13	Auger Motor	3	1	45	Bottom Panel	5	1
14	Nylon Bushing	5	1	46	Name Plate (on Bottom Panel)	5	1
15	Auger	3	1	47	Cart Leg, Rear Left	5	1
16	Silicone Ring A (for Motor Wire/Ignition Rod Cable Hole)	5	2	48	Car Leg, Front Left	5	1
17	Heat Diffuser Bracket	5	2	49	Power Cord	3	1
18	Lid Hinge	5	2	50	Meat Probe	3	1
19	Lid Pin	5	2	51	Hopper Bottom Panel	5	1
20	Burn Pot	5	1	52	Controller	3	1
21	Heat Diffuser	5	1	53	Cable Clip	5	1
22	Ignition Rod	5	1	54	Male Adaptor	5	1
23	Lid Handle	5	1	55	Pellet Chute	5	1
24	Lid Handle Bezel	5	2	56	Hopper	5	1
25	Main Lid	5	1	57	Silicone Ring B (for Meat Probe Hole)	5	1
26	Name Plate (on Lid)	5	1	58	RTD	3	1
27	Chimney Cap	5	1	59	Fan	3	1
28	Chimney Gasket	5	1	60	RTD Cover	5	1
29	Chimney	5	1	61	Controller Cable	5	1
30	Hopper Housing Gasket	5	1	62	Lid Heat Shield	5	1
31	Warming Rack	3	1	63	Controller Fascia	5	1
32	Cooking Grid	3	2				

CONSIGNES DE SÉCURITÉ IMPORTANTES

AVERTISSEMENT! Suivre les consignes suivantes pour empêcher le gaz incolore et inodore d'empoisonner quiconque :

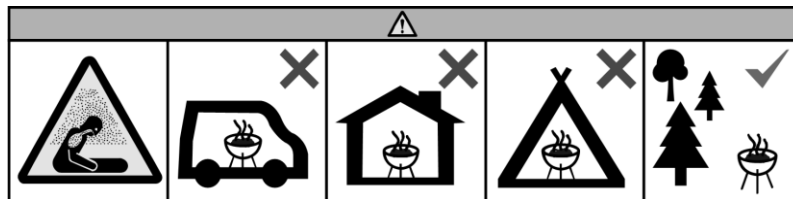
- Savoir reconnaître les symptômes de l'empoisonnement au monoxyde de carbone : maux de tête, étourdissements, fatigue, nausées, vomissements, somnolence et confusion. Le monoxyde de carbone réduit la capacité du sang à transporter l'oxygène. Un faible niveau d'oxygène dans le sang peut entraîner une perte de conscience, voire la mort.
- Si une personne développe des symptômes similaires à ceux d'un rhume ou de la grippe en cuisinant ou en se trouvant à proximité du barbecue, consulter un médecin. L'empoisonnement au monoxyde de carbone, qui peut facilement être confondu avec le rhume ou la grippe, est souvent détecté trop tard.
- La consommation d'alcool et de drogues augmente les effets de l'empoisonnement au monoxyde de carbone.

Le monoxyde de carbone est particulièrement toxique pour les femmes enceintes, l'enfant qu'elles portent, les nourrissons, les personnes âgées, les fumeurs et les personnes souffrant de problèmes sanguins ou du système circulatoire, tels que l'anémie, ou de maladies cardiaques.



Questions, problèmes, pièces manquantes?

Avant de retourner l'article au détaillant, communiquez avec le service à la clientèle au 1 800 913-8999 (É.-U.) ou au 1 800 648-5864 (Canada); anglais, français ou espagnol, du lundi au vendredi, de 8 h à 17 h (heure du Pacifique). CustomerService@GrillServices.com



AVERTISSEMENT! Ne pas utiliser le barbecue dans un endroit clos ou un espace habitable : maisons, tentes, caravanes, autocaravanes, bateaux, etc. Risque mortel d'empoisonnement au monoxyde de carbone.

AVERTISSEMENT! En cas d'incendie :

- S'éloigner du barbecue et appeler les pompiers.
- Ne pas tenter de déplacer le barbecue, d'éteindre le feu ou de l'éteindre avec de l'eau.
- Pour réduire les risques d'incendie, garder le barbecue propre; consulter les consignes de nettoyage et d'entretien.

ATTENTION! Ne jamais utiliser d'essence, de carburant à lanterne de type essence, de kérosène, de liquide d'allumage pour charbon ou d'autres liquides similaires pour démarrer ou alimenter le feu. Garder ces liquides loin du barbecue pendant l'utilisation.

ATTENTION! Ce barbecue va devenir très chaud. Ne pas le déplacer pendant son utilisation.

UN MAUVAIS DÉGAGEMENT (DISTANCE) ENTRE LE BARBECUE ET DES MATÉRIAUX COMBUSTIBLES CONSTITUE L'UNE DES PRINCIPALES CAUSES D'INCENDIE. IL EST PRIMORDIAL D'INSTALLER LE PRODUIT CONFORMÉMENT AUX PRÉSENTES INSTRUCTIONS.

AVERTISSEMENT!

- Ne pas utiliser de granules de chauffage. N'utiliser que des granules de cuisson 100 % en bois naturel conçues pour un barbecue.
- Idéalement, utiliser des granules aux spécifications suivantes : 8 000 à 8 500 BTU/lb et contenu en cendre inférieur à 1 %.
- Ne pas utiliser de granules avec additifs.
- Ne jamais placer de copeaux ou morceaux de bois dans la trémie.
- N'utiliser que des granules sèches. Si la trémie était pleine au moment de ranger le barbecue, vérifier que les granules sont complètement sèches avant l'utilisation. Les granules de bois dur peuvent absorber l'humidité, ce qui les fait gonfler et potentiellement bloquer la vis d'alimentation.
- La trémie ne doit jamais être vide pendant que le barbecue fonctionne. Remplir la trémie suffisamment avant l'utilisation et ajouter des granules au besoin.

PROPOSITION 65 DE LA CALIFORNIE

POUR LES RÉSIDENTS DE CALIFORNIE UNIQUEMENT



AVERTISSEMENT! Ce produit peut vous exposer à des agents chimiques, y compris la poussière de bois et la suie, identifiés par l'État de Californie comme pouvant causer le cancer



AVERTISSEMENT! Ce produit peut vous exposer à des agents chimiques, y compris le monoxyde de carbone, identifiés par l'État de Californie comme pouvant causer des malformations congénitales ou autres effets nocifs sur la reproduction.

Pour de plus amples informations, prière de consulter www.P65Warnings.ca.gov.

CONSIGNES DE SÉCURITÉ

Un barbecue bien entretenu sera sécuritaire et fiable de nombreuses années. Néanmoins, une extrême attention est nécessaire, car le barbecue produit une chaleur intense qui peut provoquer des blessures s'il est mal utilisé. Suivre les consignes de sécurité de base suivantes :

- Ne pas réparer ou remplacer des pièces à moins de recommandation contraire dans le présent guide. Tout autre entretien doit être effectué par un technicien compétent.
- L'appareil de cuisson extérieur n'est pas conçu pour être installé sur ou dans un bateau ou un véhicule récréatif.
- Ne pas utiliser le barbecue sous un élément de construction combustible (saillie, plafond, etc.).
- **AVERTISSEMENT!** Tenir les enfants et les animaux loin du barbecue. Ne pas laisser un enfant sans surveillance près du barbecue allumé. Ne pas laisser un enfant s'asseoir ou se tenir sur le barbecue ou jouer à proximité.
- Cet appareil peut être utilisé par des enfants âgés de 8 ans et plus et des personnes ayant des capacités physiques, sensorielles ou mentales réduites ou un manque d'expérience et de connaissances s'ils ont reçu une supervision ou des instructions concernant l'utilisation de l'appareil en toute sécurité et comprennent les risques. impliqués. Les enfants ne doivent pas jouer avec l'appareil. Le nettoyage et l'entretien par l'utilisateur ne doivent pas être effectués par des enfants sans surveillance.
- Si le cordon d'alimentation est endommagé, il doit être remplacé par un cordon ou un ensemble spécial disponible auprès du fabricant ou de son prestataire de services.
- Ne pas ranger d'objets intéressants pour les enfants sous le barbecue ou à proximité.
- Porter des vêtements appropriés. Ne pas porter de vêtements amples ou à manches amples pendant l'utilisation. Certains tissus synthétiques sont hautement inflammables et **ne doivent pas** être portés pendant la cuisson.
- Toujours porter des gants résistants à la chaleur ou des mitaines de four pour manipuler les objets chauds.
- Pendant l'utilisation du barbecue, ne pas toucher la grille de réchaud, la grille du brûleur ou les zones adjacentes, qui pourraient être extrêmement chaudes et causer des brûlures. N'utiliser que des poignées isolantes sèches, car au contact des surfaces chaudes, l'humidité pourrait se transformer en vapeur brûlante. Ne pas utiliser de serviette ou de chiffon épais au lieu d'une poignée isolante. Ne pas laisser les poignées isolantes entrer en contact avec les sections chaudes de la grille.
- Certains types de verre, de vitrocéramique, de grès et d'émail ne sont pas conçus pour le barbecue. Ces matériaux peuvent casser à cause d'un changement de température soudain. Ne les utiliser qu'à feu faible ou moyen conformément aux consignes du fabricant.
- Ne pas chauffer de contenants fermés, car la pression pourrait les faire exploser.
- Ne jamais se pencher au-dessus du barbecue ouvert.
- La graisse est inflammable. Laisser la graisse chaude refroidir avant d'y toucher. Nettoyer fréquemment le plateau et le seau à graisse pour éviter que la graisse s'accumule.

- Ne pas utiliser d'eau pour éteindre les embrasements ou le feu. Éteindre et débrancher le barbecue, puis attendre qu'il refroidisse.
- Vérifier que le système de collecte de graisse est bien installé avant d'utiliser le barbecue. Ne jamais utiliser le barbecue sans le seau à graisse sous la tablette latérale.
- Retirer les cendres une fois le barbecue bien éteint et complètement refroidi. Attendre que la graisse et les cendres soient froides avant de les jeter.
- Attendre que les granules soient éteintes et que le barbecue soit froid avant de déplacer, couvrir ou ranger le barbecue.
- Ne pas utiliser de papier d'aluminium sur la grille ou au fond du barbecue, car cela pourrait nuire au débit d'air de combustion ou emprisonner la chaleur à proximité des commandes.
- Nettoyer le barbecue soigneusement. Pour éviter les brûlures à la vapeur, ne pas utiliser d'éponge ou de linge humide pendant que le barbecue est chaud. Certains nettoyeurs produisent des vapeurs toxiques ou peuvent s'enflammer au contact d'une surface chaude.
- Éteindre les commandes et attendre que le barbecue soit froid avant d'utiliser un nettoyeur en aérosol sur le barbecue ou à proximité. Les produits chimiques qui entraînent la pulvérisation peuvent, en présence de chaleur, s'enflammer ou causer la corrosion des pièces métalliques.
- S'assurer qu'il n'y a aucune substance inflammable à proximité du barbecue: fluides, déchets, vapeurs, essence, liquide d'allumage, etc. Ne pas bloquer le débit d'air de combustion et de ventilation.
- Pour réduire le risque d'incendie, retirer les casseroles et poêlons lorsque le barbecue fonctionne sans supervision.
- Ne pas utiliser d'accessoires non conçus pour le barbecue.
- La consommation d'alcool et l'usage de médicaments ou de drogues peuvent réduire la capacité à monter et à utiliser correctement le barbecue.
- Élimination des cendres - Les cendres doivent être placées dans un contenant métallique doté d'un couvercle étanche. Le contenant fermé doit être placé sur un plancher ou un sol non combustible, loin de tout matériau combustible, en attendant que les cendres soient jetées. Avant d'enterrer les cendres ou de les disperser, les laisser dans le contenant fermé jusqu'à ce qu'elles soient froides.

ATTENTION : COMPOSANTS ÉLECTRIQUES



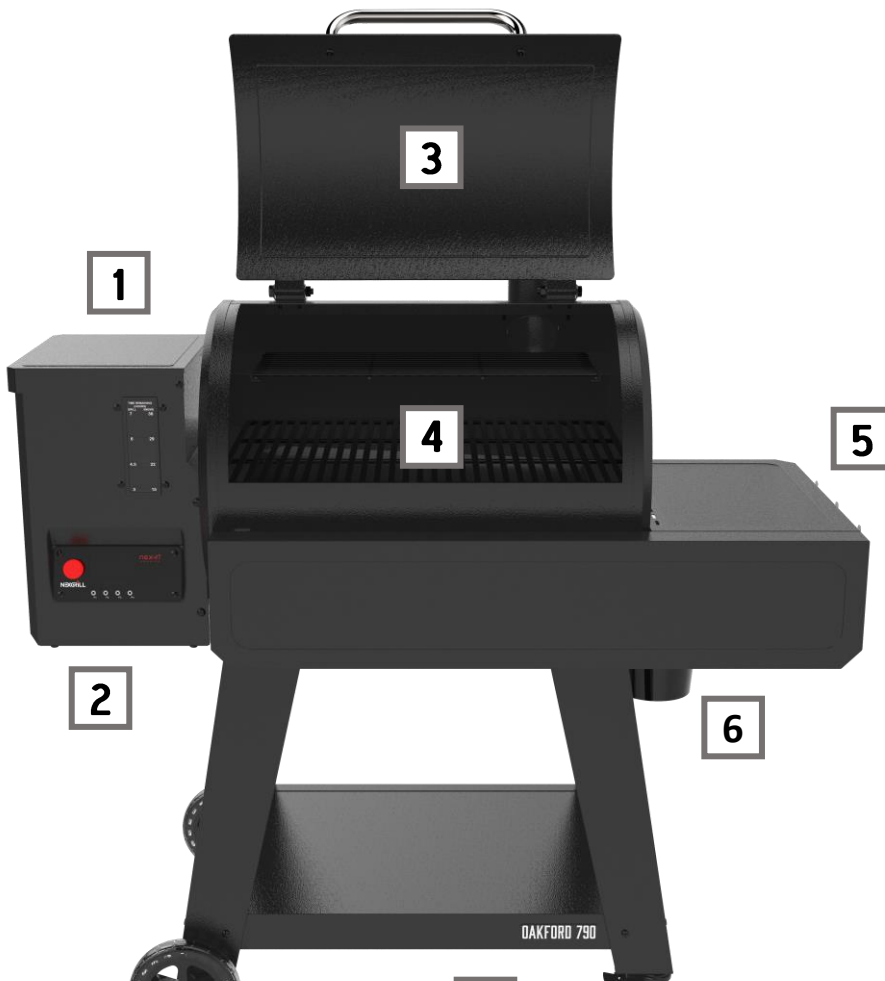
- Débrancher le barbecue avant d'en faire l'entretien. Ne pas nettoyer ou réparer le barbecue branché sur une source d'électricité.
- La source d'alimentation externe doit être mise à la terre conformément aux codes applicables.
- Inspecter la prise de courant avant l'utilisation. Ne pas y brancher le barbecue si elle est endommagée.
- Veiller à ce que le cordon d'alimentation ne touche à aucune surface chaude.
- Ne pas couper ou retirer la tige de mise à la terre de la fiche. Ne brancher le barbecue que sur un circuit protégé par un disjoncteur de fuite de terre (DDFT).
- L'utilisation d'une haute tension pour alimenter le barbecue constitue un risque d'électrocution et peut causer la mort. Ne pas immerger de composants électroniques ou chauffants dans un liquide. Ne pas utiliser à proximité d'une source d'eau ou sous la pluie.
- Tirer sur la fiche et non sur le cordon pour débrancher le barbecue.



ATTENTION

Assurer un dégagement d'au moins 60 cm (24 po) entre le barbecue (arrière et côtés) et tout matériau combustible. Ne pas placer le barbecue sous une surface (abris d'auto, garage, porche ou patio fermés) qui pourrait s'enflammer.

BARBECUE AUX GRANULES



1 TRÉMIE

La trémie à grande capacité est dotée d'une trappe à l'arrière pour le nettoyage et peut contenir assez de granules pour toute une journée de fumage. L'indicateur I-Site^{MC} affiche les heures estimées de carburant restant dans la trémie, en fonction de votre mode de cuisson.

2 COMMANDES

Le panneau de commande à connexion sans fil et Bluetooth^{MD+} SureTemp^{MC} est doté d'une technologie de contrôle précis de la température et permet de régler la chaleur, la minuterie et diverses options de cuisson. Pour l'expérience Oakford^{MC} complète, se connecter à l'application NEX-Fi. Voir la section *Connexion au réseau sans fil ou Bluetooth^{MD+}*.

3 COUVERCLE ET CHAMBRE

Le revêtement hautement résistant à la chaleur empêche la formation de rouille et de fissures et assure ainsi la longévité du barbecue. Le joint autour du couvercle emprisonne la fumée, accentuant le goût de vos créations culinaires.

4 GRANDE AIRE DE CUISSON

Les grilles de cuisson à émail vitrifié sont faciles à nettoyer et assez grandes pour nourrir tous vos convives. La grille de réchaud peut être retirée pour laisser la place aux grosses pièces de viande.

5 SURFACE DE PRÉPARATION

Les tablettes avant et latérale procurent suffisamment d'espace de préparation pour tous les aliments, les ustensiles de cuisson, les épices et les rafraichissements. La tablette latérale est dotée de trois crochets pour les ustensiles et les mitaines. La tablette frontale, pour les modèles qui en sont équipés, se replie facilement; il suffit de tirer vers le haut, puis de l'abaisser.

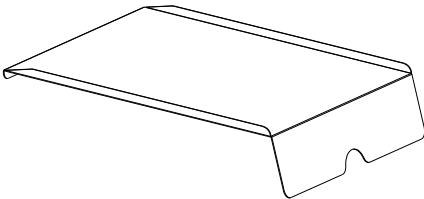
6 COLLECTE DE GRAISSE

La graisse s'écoule dans les canaux du plateau, puis jusque dans le seau. Utiliser une doublure en aluminium dans le seau pour faciliter et accélérer le nettoyage.

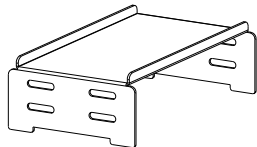
+ Bluetooth^{MD} est une marque commerciale déposée, propriété exclusive de The Bluetooth Special Interest Group (SIG).

LISTE DES PIÈCES

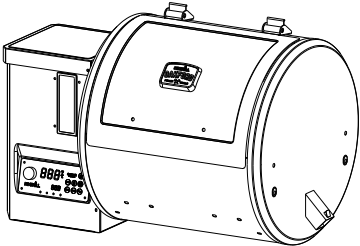
1



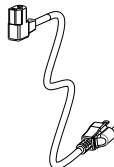
2



3

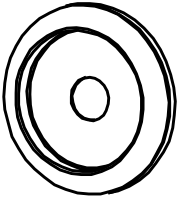


4

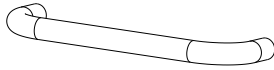


5

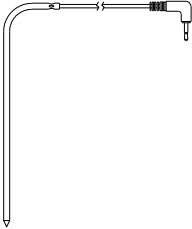
X2



6



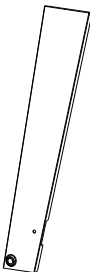
7



8

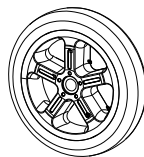


9



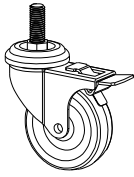
10

X2

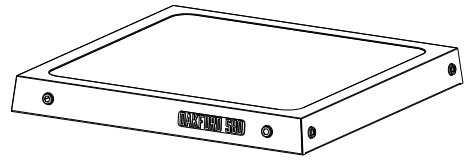


LISTE DES PIÈCES

11 X2



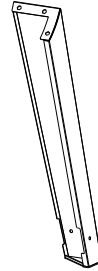
12



13



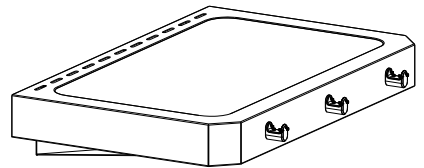
14



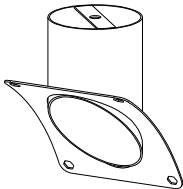
15



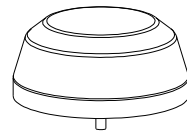
16



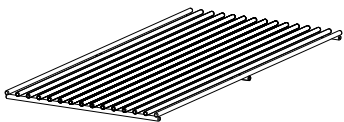
17



18



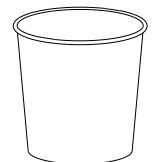
19 X2



20



21 X2



MONTAGE



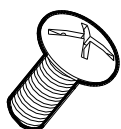
PRÉPARATION

Avant de commencer le montage, l'installation et l'utilisation du produit, vérifier que toutes les pièces sont présentes et intactes. Comparer le contenu de l'emballage avec la liste des pièces et les images qui précèdent. Si des pièces sont manquantes ou endommagées, ne pas monter, installer ou utiliser le produit, et communiquer avec le service à la clientèle pour obtenir des pièces de rechange.

LIRE ATTENTIVEMENT TOUTES LES CONSIGNES DE SÉCURITÉ ET INSTRUCTIONS DE MONTAGE ET D'INSTALLATION AVANT LE MONTAGE.

QUINCAILLERIE

A X26



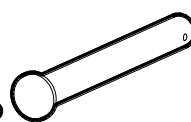
B X26



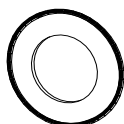
C X26



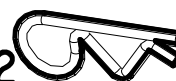
D X2



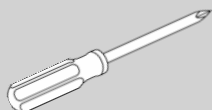
E X2



F X2



OUTILS (NON COMPRIS)



Tournevis à pointe cruciforme

DES VIS SONT PRÉINSTALLÉES SUR CERTAINES PIÈCES ET DEVRONT ÊTRE DESSERRÉES OU SERRÉES À LA FIN DU MONTAGE.

CONSEILS

- Certaines étapes du montage doivent être effectuées par deux personnes.
- Monter le barbecue sur une surface plane et sans pente.

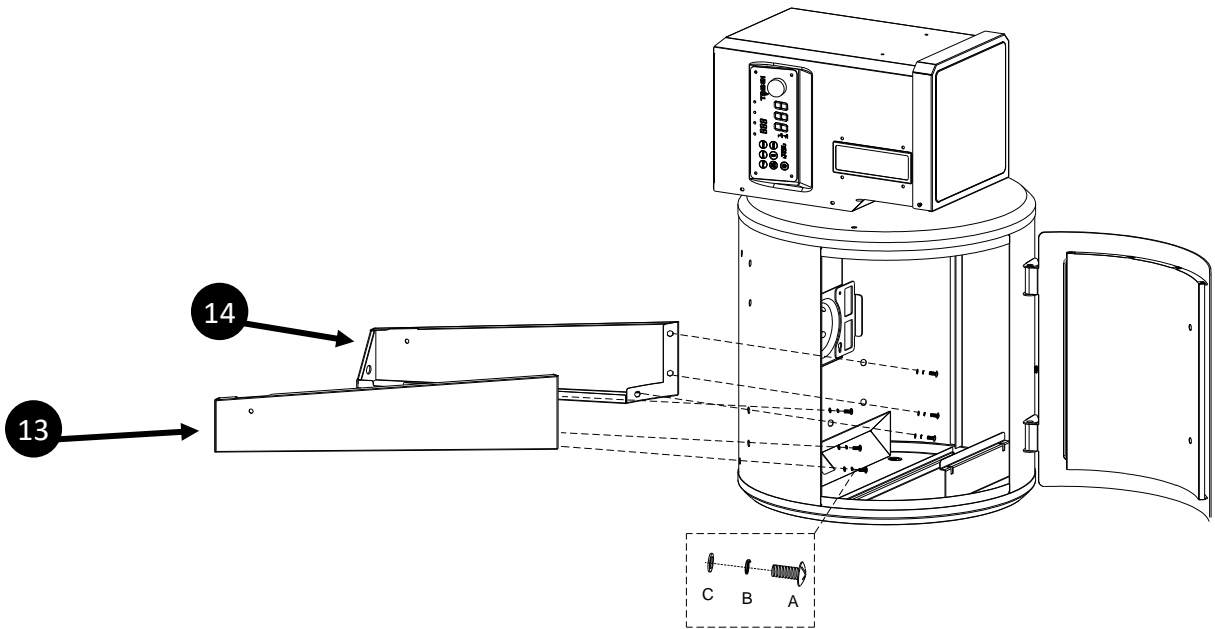


ATTENTION!

Un montage incomplet ou incorrect peut être dangereux. Ne pas utiliser le barbecue si des pièces sont manquantes. Le barbecue doit être monté conformément aux instructions fournies par le fabricant.

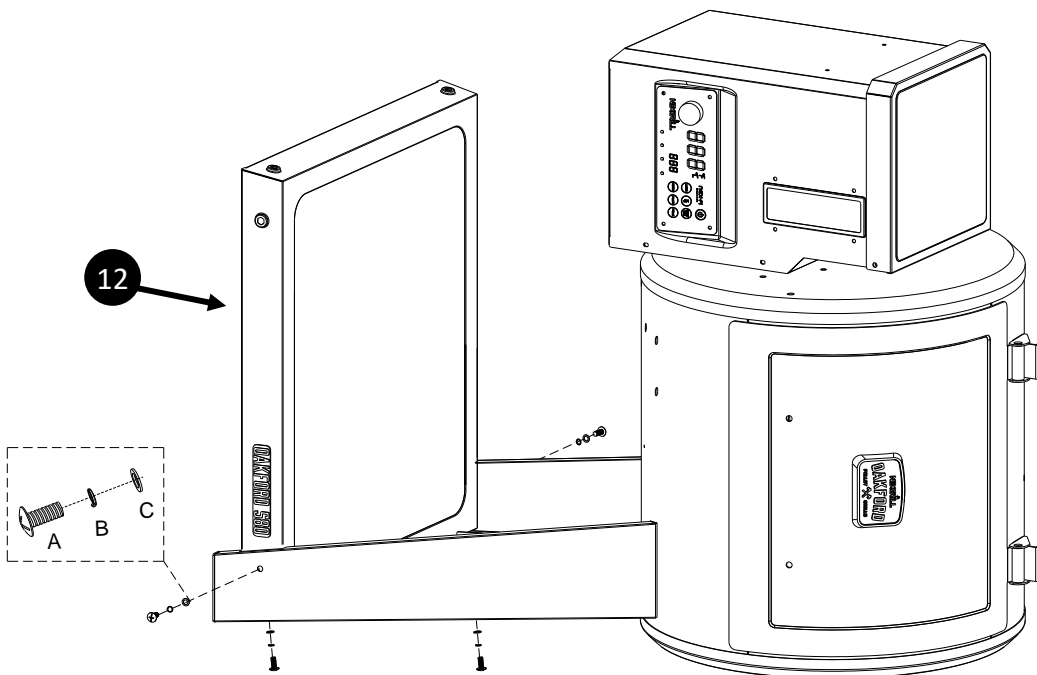
1

A×6 B×6 C×6



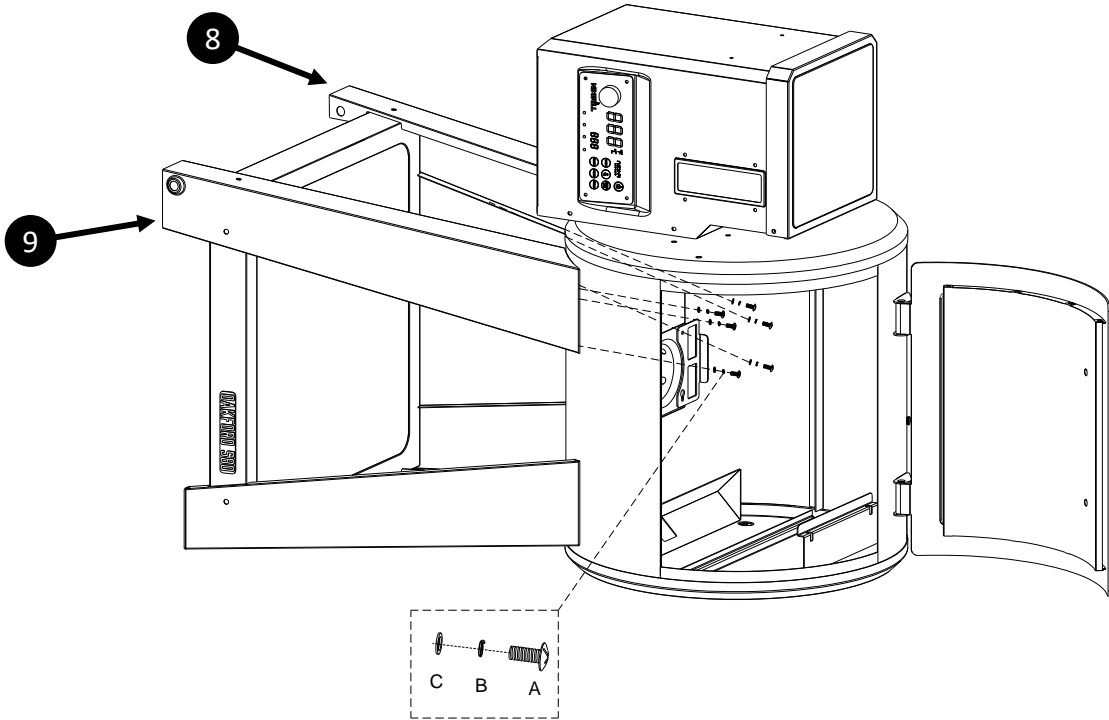
2

A×4 B×4 C×4



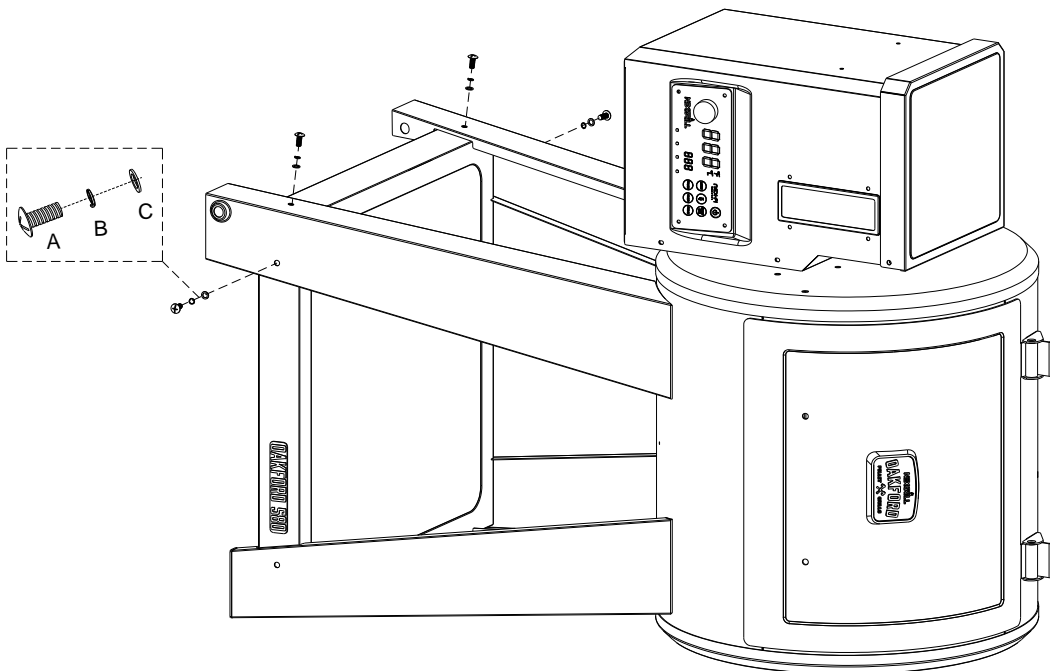
3

A×6 B×6 C×6



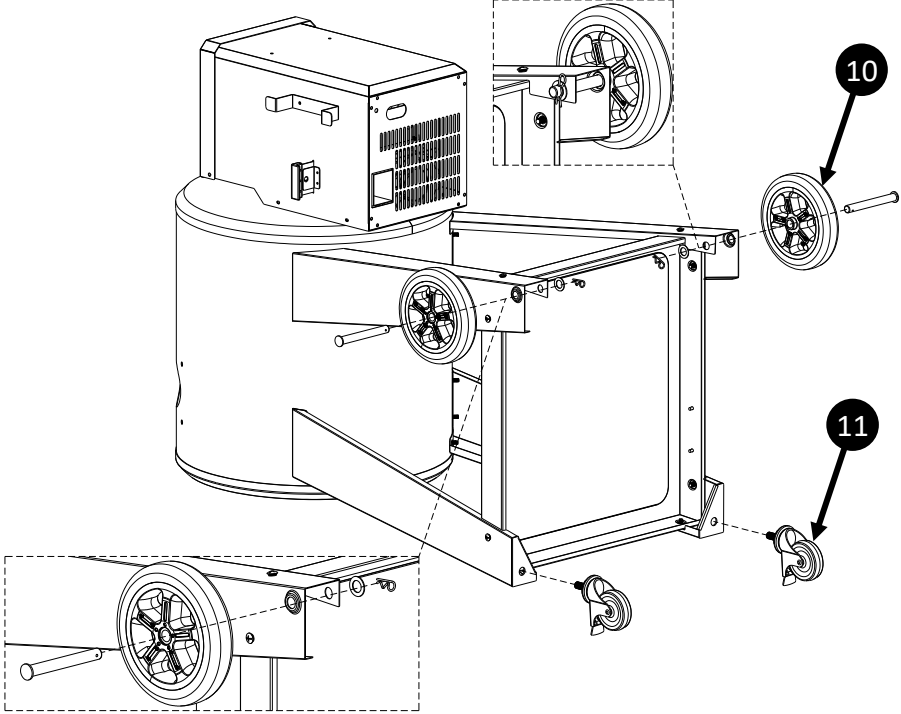
4

A×4 B×4 C×4

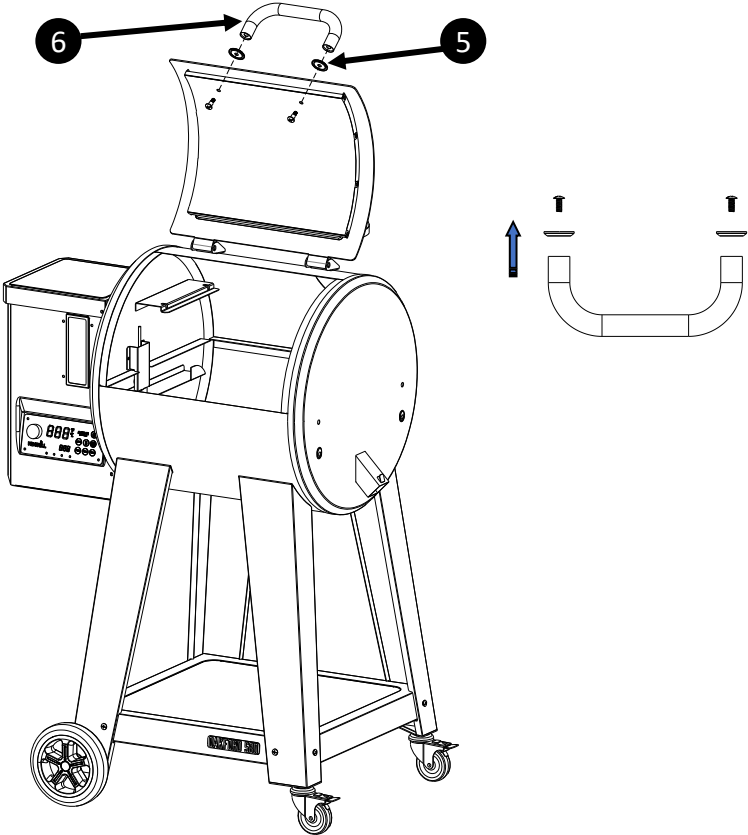


5

D×2 E×2 F×2

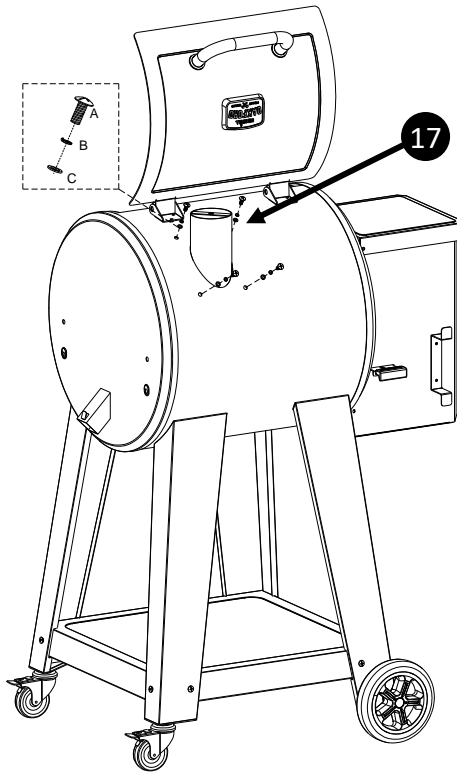


6

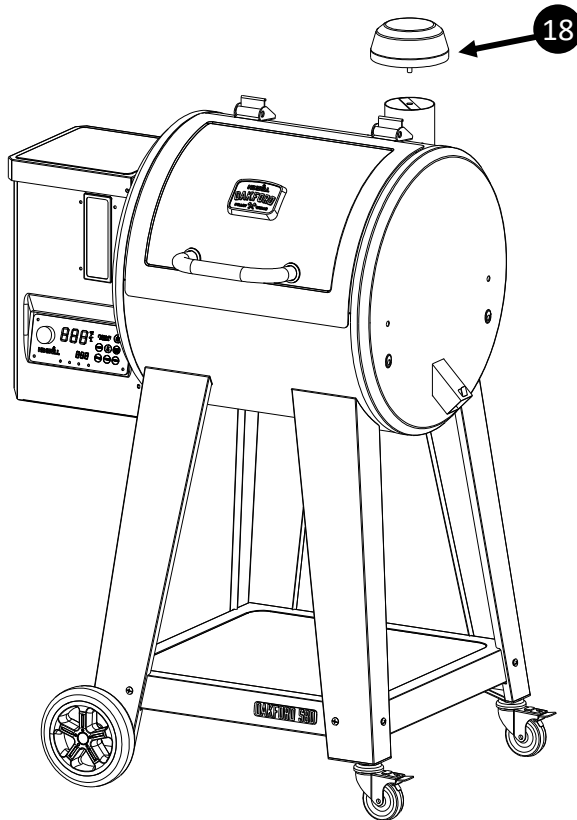


7

A×4 B×4 C×4

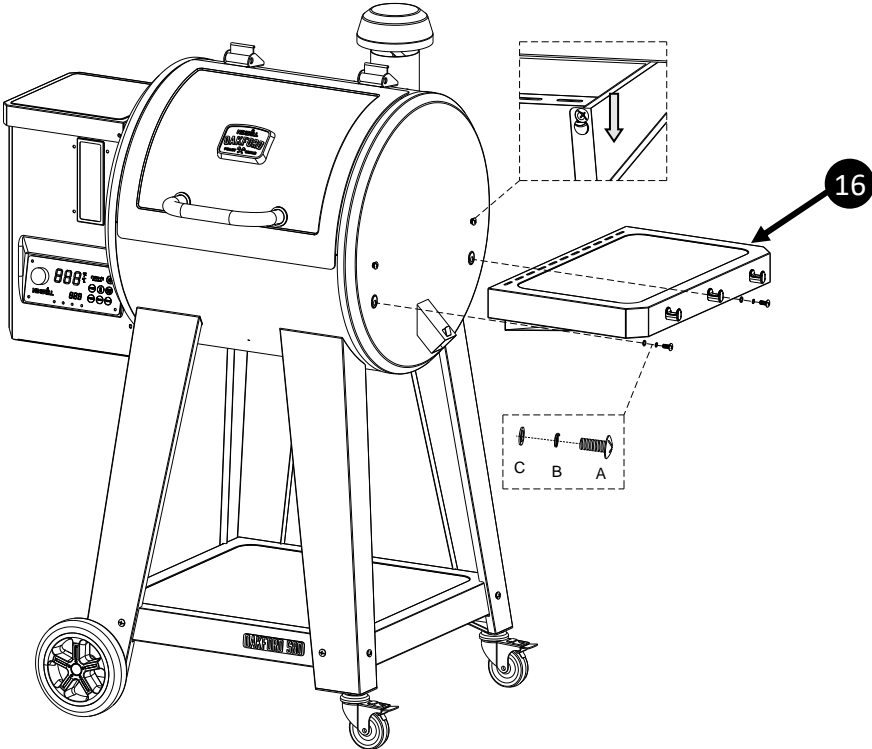


8

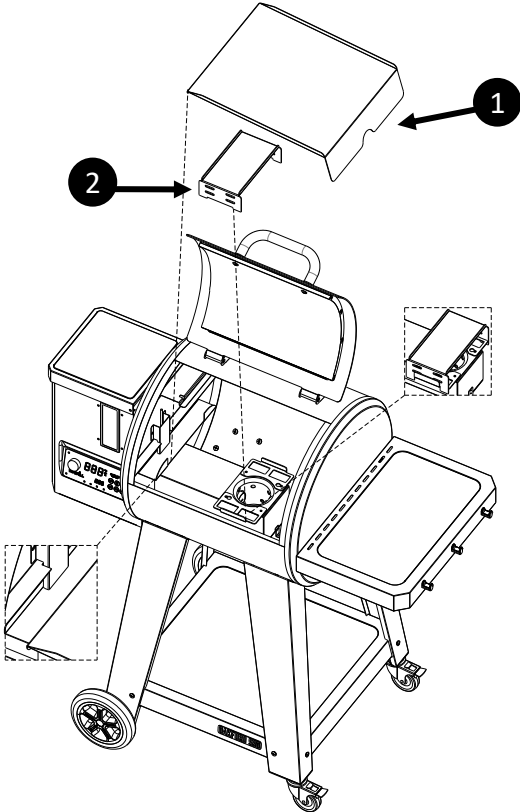


9

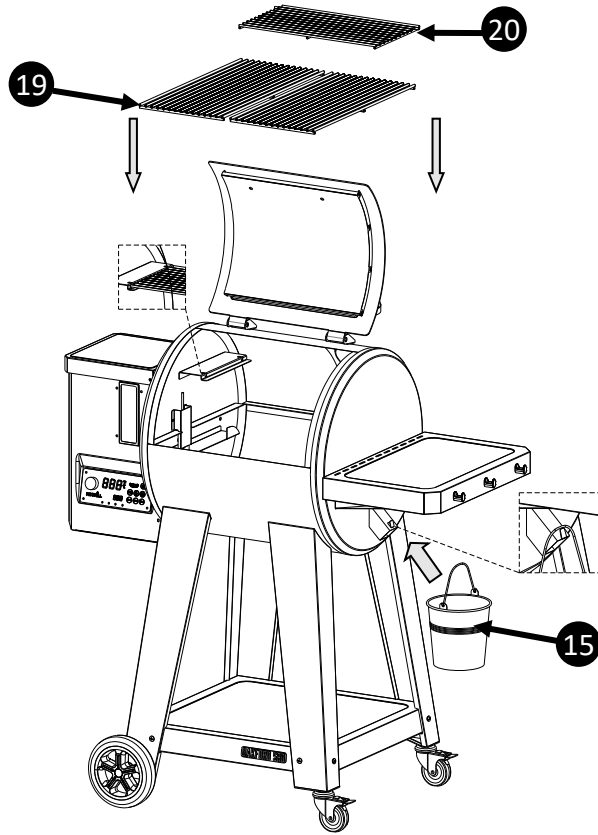
A×2 B×2 C×2



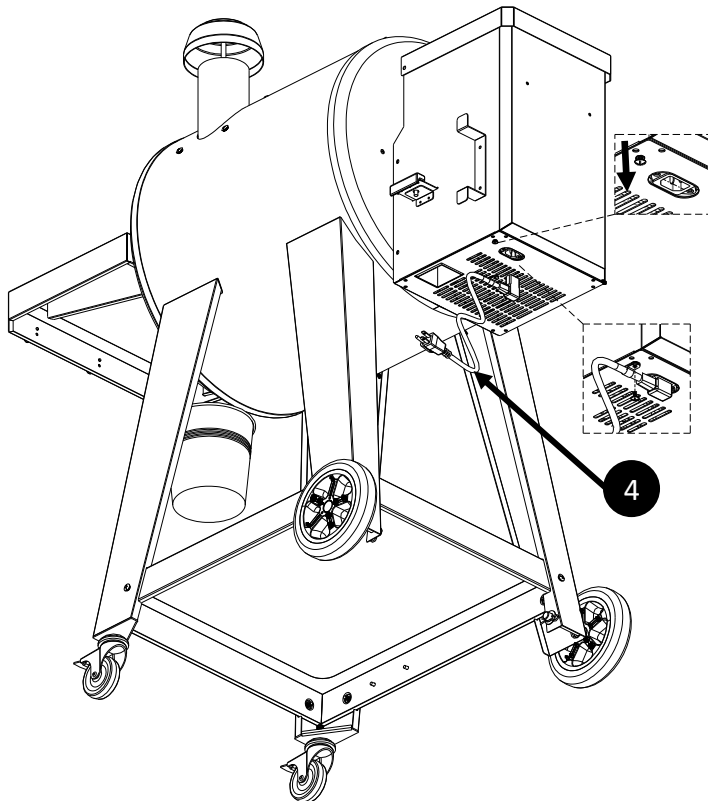
10

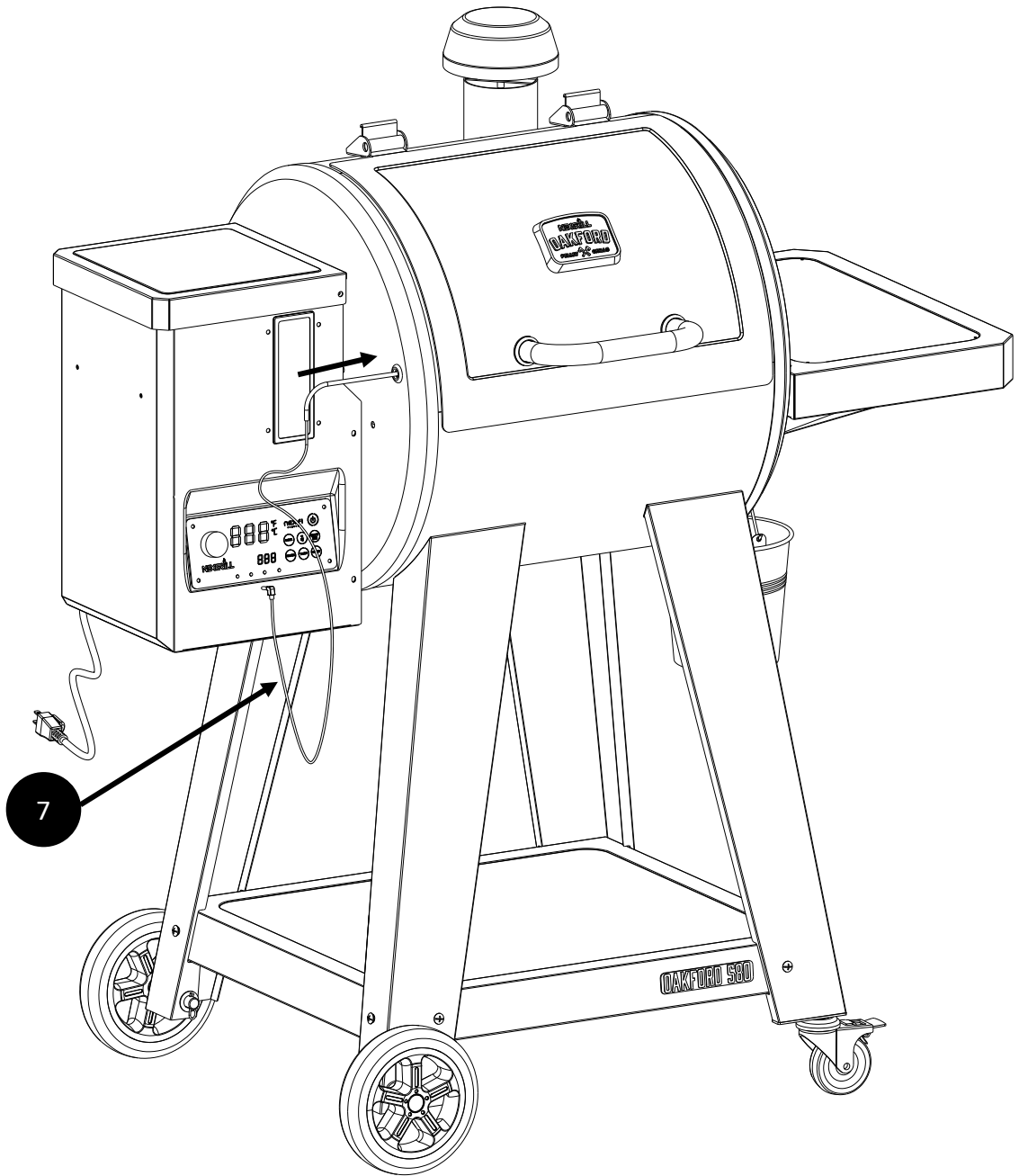


11

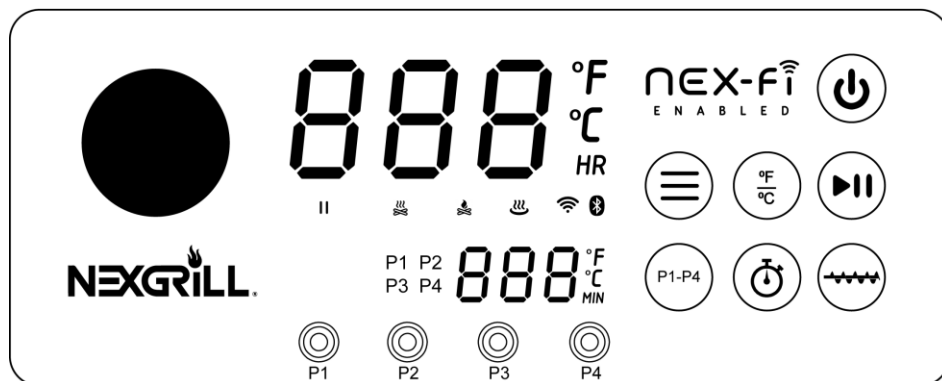


12





PANNEAU DE COMMANDE



SÉLECTEUR ROTATIF

Tourner le sélecteur pour régler les valeurs de la minuterie, du thermomètre et de la température de cuisson. Appuyer sur le sélecteur pour confirmer la nouvelle valeur. La température de cuisson peut être réglée par incréments de 3 °C (5 °F). Pendant la cuisson, appuyer sur le sélecteur pour afficher la température de cuisson réglée.






ALIMENTATION

Appuyer pour mettre en marche le panneau de commande. Une fois le repas cuit, réappuyer pour lancer le processus d'arrêt automatique.



MODE

Appuyer pour passer d'un mode pré-réglé à l'autre (trois modes). Appuyer sur le sélecteur rotatif pour confirmer le mode avec la température par défaut, ou régler la température avec le sélecteur avant de choisir le mode.

	MODE FUMOIR Fumage lent à une température par défaut de 107 °C (225 °F).
	MODE BARBECUE Ce mode a une température élevée par défaut – au-dessus de 288 °C (550 °F) selon le modèle – et contrôle la température avec précision grâce à un algorithme de type PID.
	MODE RÉCHAUD Pré-réglé à seulement 82 °C (180 °F), ce mode est conçu pour conserver la chaleur des aliments. Le barbecue passe automatiquement à ce mode lorsque la température cible est détectée par le thermomètre P1.



UNITÉ DE TEMPÉRATURE

Appuyer pour passer des degrés Fahrenheit aux degrés Celsius et vice versa.



MARCHE/PAUSE

Appuyer pour lancer le processus d'allumage une fois le mode de cuisson choisi. Pendant la cuisson, appuyer pour mettre sur pause et empêcher la vis de suralimenter le barbecue en cas de baisse de la température (couvercle ouvert par exemple). Au moment de la mise sous tension et lorsqu'il est sur pause, le barbecue est en attente, et le logo de pause « II » s'illumine. Appuyer à nouveau pour relancer le dernier programme. Si aucune action n'est prise dans les cinq, minutes, le barbecue lancera le processus d'arrêt.



THERMOMÈTRES

Le barbecue aux granules Oakford peut utiliser de un à quatre thermomètres pour cuire divers aliments à la perfection. Appuyer pour passer d'un thermomètre à l'autre. Une fois le code affiché (P1, P2, etc.), appuyer et tenir trois secondes pour régler la température cible. Tourner le sélecteur pour choisir la température et appuyer dessus pour la confirmer.



MINUTERIE

Appuyer pour régler une minuterie, en minutes et en heures. Une alarme retentit une fois le temps écoulé.

Réglage de la minuterie

1. Appuyer sur le bouton. Les chiffres du bas clignotent. Tourner le sélecteur jusqu'au nombre de minutes désiré et appuyer dessus.
2. Les chiffres du haut clignotent. Tourner le sélecteur jusqu'au nombre d'heures désiré et appuyer dessus. La minuterie démarre.

Les symboles « HR » et « MIN » clignotent, indiquant que la minuterie est en marche. Appuyer sur le bouton pour vérifier le temps restant. Appuyer et tenir trois secondes pour annuler.

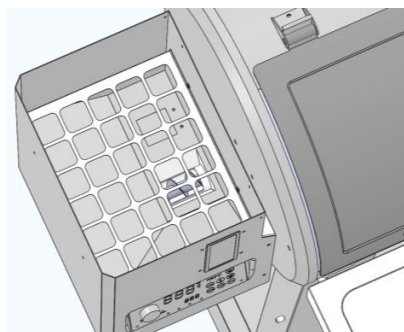
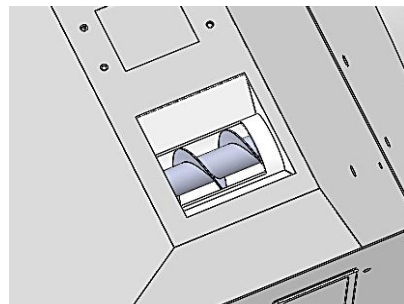


VIS SANS FIN

Appuyer pour faire tourner la vis sans fin pendant 30 secondes avant ou après la cuisson. Si ce n'est pas suffisant pour remplir ou vider la vis, réappuyer jusqu'à ce que le bouton cesse de clignoter. Appuyer et tenir trois secondes pour annuler l'action.

AVANT LA PREMIÈRE UTILISATION

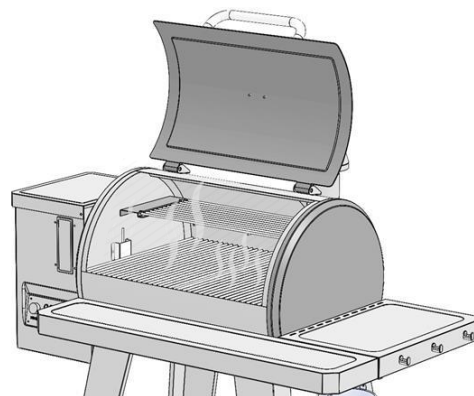
1. Retirer tout l'emballage du barbecue.
2. Le barbecue doit être installé sur une base sûre et plane avant utilisation.
3. Ouvrir le barbecue pour vérifier que le réchaud, les grilles, le diffuseur et le plateau à graisse sont correctement installés.
4. Ouvrir le couvercle de la trémie et vérifier qu'il n'y a aucun objet bloquant la vis sans fin.
5. Vérifier que la grille de protection de la trémie est en place et que la trappe de nettoyage est fermée et verrouillée.
6. Remplir la trémie des granules choisies en fonction du niveau de combustible voulu, puis fermer le couvercle de la trémie.
7. S'assurer que le cordon d'alimentation est branché sur le barbecue avant de brancher l'autre extrémité sur une prise de courant mise à la terre.
8. Allumer le barbecue en appuyant sur le bouton d'alimentation du panneau de commande.
9. Ouvrir le couvercle du barbecue.
10. Appuyer sur le bouton de la vis sans fin pour la faire avancer 30 secondes. Répéter jusqu'à entendre des granules tomber dans le pot de combustion. Appuyer et tenir le bouton de la vis sans fin pendant 3 secondes pour l'arrêter.
11. Tourner le sélecteur pour régler la température à 204 °C (400 °F) et appuyer dessus pour confirmer.
12. Appuyer sur le bouton de marche/pause pour lancer le processus de démarrage.
13. Une fois le barbecue allumé, fermer le couvercle. Pendant le démarrage, beaucoup de fumée peut être générée.
14. Laisser le barbecue chauffer et garder au rouge pendant au moins 30 minutes sous surveillance pour éliminer les huiles du processus de fabrication et bien préparer le barbecue.
15. Une fois la préparation terminée, appuyer sur le bouton d'alimentation pour lancer le processus d'arrêt automatique.
16. Une fois le barbecue arrêté et froid, le débrancher.
17. Ouvrir le couvercle et nettoyer les grilles de cuisson et le réchaud avec une brosse à barbecue ou un grattoir en bois.
18. Nettoyer selon les consignes de la section *Nettoyage et entretien*.
19. Après le nettoyage, s'assurer que toutes les pièces sont réinstallées correctement avant l'utilisation.



À CHAQUE UTILISATION

Suivre ces étapes à chaque utilisation du barbecue aux granules Oakford.

1. S'assurer que la trémie contient assez de granules. Vérifier l'indicateur de la trémie pour connaître la quantité recommandée.
2. Nettoyer et retirer les résidus de cendre et de graisse. Vérifier la présence de créosote. Retirer la graisse et la créosote accumulées pour réduire le risque d'incendie.
3. Toujours brancher la fiche sur une prise mise à la terre.
4. Ouvrir le couvercle du barbecue au moment d'allumer.
5. Utiliser l'application NEX-Fi pour améliorer l'expérience de cuisson.



ALLUMAGE AUTOMATIQUE

S'assurer que le barbecue est bien préparé et prêt à l'utilisation.

1. Ouvrir le couvercle du barbecue et vérifier que tous les composants sont en place.
2. S'assurer qu'il n'y a rien d'autre que des granules dans la trémie, et remplir au besoin.
3. Faire avancer la vis sans fin pour qu'elle soit prête à l'utilisation. Voir la section sur le bouton de la vis au besoin.
4. Brancher la fiche sur une prise correctement mise à la terre et appuyer sur le bouton d'alimentation.
5. Appuyer sur le bouton de marche/pause ou saisir le mode et la température de cuisson désirés. Si rien n'est saisi, le barbecue démarre à la température par défaut de 182 °C (360 °F). Dans les 5 minutes suivant l'allumage, de la fumée devrait être visible. Sinon, fermer le panneau de commande et attendre 5 minutes avant de recommencer.
6. Une fois le barbecue allumé, fermer le couvercle. Régler le mode et la température de cuisson si ce n'était déjà fait.
7. Avant de commencer la cuisson, attendre qu'une couche de cendres recouvre le combustible.

ARRÊT DU BARBECUE

Une fois le repas cuit, le barbecue doit être éteint correctement pour qu'il ne reste plus de granules ni de cendre dans le pot de combustion. Suivre la procédure suivante pour bien éteindre le barbecue après chaque utilisation.

1. Ouvrir le couvercle, retirer les thermomètres et la nourriture.
2. Garder le couvercle ouvert et appuyer sur le bouton d'alimentation pour lancer le processus d'arrêt automatique. Au cours du processus, le ventilateur continue de fonctionner jusqu'à ce que la température du barbecue soit sous les 54 °C (130 °F), au moins 15 minutes, pour accélérer la combustion des résidus. Attendre que le ventilateur s'arrête.
3. Débrancher le barbecue.
4. Attendre que le barbecue soit froid avant de le ranger.

UTILISATION

ALLUMAGE MANUEL

S'assurer que le barbecue est bien préparé et prêt à l'utilisation.

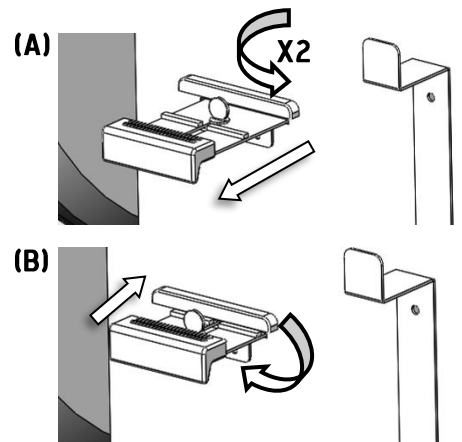
1. Ouvrir le couvercle du barbecue et retirer les grilles, le plateau à graisse et le diffuseur.
2. S'assurer qu'il n'y a rien d'autre que des granules dans la trémie, et remplir au besoin.
3. Vérifier que le pot de combustion est propre et vide.
4. Brancher la fiche sur une prise correctement mise à la terre.
5. Faire avancer la vis sans fin pour qu'elle soit prête à l'utilisation. Voir la section sur le bouton de la vis au besoin.
6. Ajouter une poignée de granules dans le pot de combustion.
7. Ajouter un allume-feu en bois naturel ou du gel allume-feu dans le pot de combustion.
8. Allumer l'allume-feu avec une longue allumette ou un long briquet.
9. Lorsque les granules brûlent bien, replacer le diffuseur, le plateau à graisse et les grilles.
10. Appuyer sur le bouton d'alimentation.
11. Appuyer sur le bouton marche/pause. Vérifier que des granules s'ajoutent et brûlent bien.
12. Fermer le couvercle.
13. Régler le mode et la température de cuisson si ce n'était déjà fait.

ATTENTION! Ne pas utiliser d'alcool ou d'essence pour allumer ou réactiver le feu ! Utiliser uniquement des allumefeu conformes à l'EN 1860-3 !

CHANGEMENT DES GRANULES

Pour changer de granules, vider la trémie et procéder à une maintenance complète comme suit :

1. Trouver l'ouverture au bas de la trémie et placer un grand contenant en dessous.
2. Derrière le barbecue, desserrer la vis de verrouillage de la trappe de nettoyage en faisant deux tours antihoraires (A).
3. Tirer sur la trappe pour laisser tomber les granules dans le contenant.
4. Une fois la trémie vide, repousser la trappe en place et la verrouiller en tournant la vis dans le sens horaire (B).
5. Brancher le barbecue sur une prise mise à la terre et appuyer sur le bouton d'alimentation.
6. Appuyer sur le bouton de la vis sans fin pour faire tomber les granules qui s'y trouvent dans le pot de combustion. Répéter jusqu'à ce que la vis soit vide.
7. Utiliser un aspirateur pour retirer les granules et la cendre du pot de combustion.



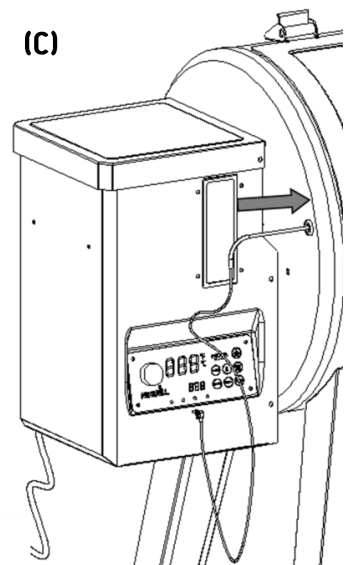
AVERTISSEMENT : Inspecter visuellement la grille de protection de la trémie pour vérifier qu'elle est en place et intacte avant de remplir la trémie avec les nouvelles granules. NE PAS changer les granules lorsque le barbecue est chaud.

CUISSON AVEC THERMOMÈTRE

Utiliser le thermomètre à viande fourni pour contrôler la température dans le barbecue aux granules Oakford comme suit :

1. Brancher le thermomètre sur le port au bas du panneau de commande*, puis le passer dans l'ouverture sur le côté gauche du pot de combustion (C). Porter des gants isolants.
2. Insérer le thermomètre dans la partie la plus épaisse de la pièce de viande.
3. Placer la viande sur la grille et fermer le couvercle.
4. Consulter la section sur le panneau de commande pour régler la température cible du thermomètre.

* **FONCTION DE RÉCHAUD AUTOMATIQUE :** Brancher le thermomètre sur le port P1 et régler la température cible pour activer la fonction de réchaud automatique. Lorsque le thermomètre atteint la température cible, la température du barbecue est automatiquement réglée à 82 °C (180 °F) et l'icône du mode réchaud s'affiche. Le barbecue reste en mode réchaud pour 10 minutes ou jusqu'à ce que l'utilisateur intervienne. Cette fonction aide à éviter la surcuisson lorsque l'utilisateur n'est pas à proximité au moment où la température cible est atteinte. Pour éviter que la fonction s'active, utiliser les ports P2 à P4. La fonction peut également être désactivée avec l'application NEX-Fi.





ATTENTION!
S'ASSURER QUE LE BARBECUE EST FROID ET DÉBRANCHÉ AVANT D'EN FAIRE LE NETTOYAGE OU L'ENTRETIEN.

INTÉRIEUR

GRILLES DE CUISSON

- Une fois le barbecue froid, frotter les deux côtés des grilles avec une brosse à barbecue métallique.
- Utiliser un grattoir pour retirer les résidus tenaces.
- Il est également possible de retirer les grilles et de les laver avec de l'eau chaude et du savon à vaisselle. Bien sécher.
- Nettoyer les grilles après chaque utilisation.

PLATEAU ET SEAU À GRAISSE

- Retirer les grilles de cuisson et gratter les résidus de nourriture et de graisse dans le plateau à graisse avec un grattoir ou une brosse à barbecue.
- Il est également possible de retirer le plateau à graisse et de le laver avec de l'eau chaude et du savon à vaisselle. Bien sécher.
- L'intérieur du seau à graisse peut être tapissé de papier d'aluminium pour en faciliter le nettoyage.
- Nettoyer le plateau à graisse après chaque utilisation. Vider le seau à graisse lorsqu'il est rempli aux $\frac{3}{4}$.

SURFACES INTÉRIEURES

- Brosser ou gratter la graisse et les résidus accumulés sur les surfaces intérieures avec un grattoir ou une brosse à barbecue.
- Aspirer les cendres et les restes de nourriture dans le fond de la chambre de cuisson et du pot de combustion.
- Toutes les surfaces peuvent être lavées avec un mélange d'eau et de savon doux ou de dégraissant doux. Bien sécher.
- Les surfaces intérieures doivent être inspectées et nettoyées lorsque de la graisse ou des résidus s'y sont accumulés. Nettoyer au moins deux fois par année.

EXTÉRIEUR

SURFACES REVÊTUES ET EN PLASTIQUE

- Une fois le barbecue froid, les surfaces extérieures peuvent être nettoyées avec un mélange d'eau et de savon doux. Bien sécher.
- Ne pas utiliser de nettoyeurs abrasifs.

ACIER INOXYDABLE (SUR CERTAINS MODÈLES)

- Utiliser un nettoyeur non abrasif pour acier inoxydable et un linge non pelucheux pour nettoyer les composants en acier inoxydable.
- Toujours frotter dans la direction du fil pour éviter d'égratigner les surfaces, et ne pas utiliser de serviettes de papier.

NE PAS ARROSER LE BARBECUE AVEC UN TUYAU D' ARROSAGE OU UNE LAVEUSE À PRESSION POUR ÉVITER D' ENDOMMAGER LES COMPOSANTS ÉLECTRIQUES.

RANGEMENT

- Toujours ranger le barbecue avec la housse entre les utilisations pour prévenir la corrosion et les autres dommages, particulièrement dans les environnements pluvieux ou humides.
- Ne pas laisser de granules dans la trémie et la vis, surtout dans les environnements humides, car l'humidité les fera gonfler et la vis se retrouvera coincée. Utiliser la trappe de nettoyage derrière la trémie pour vider les granules dans un contenant et faire brûler les granules restantes dans la vis avant de ranger le barbecue.
- Ranger les granules dans un contenant hermétique, loin des sources de chaleur, de l'humidité ou d'autres contenants de combustible. Avant l'utilisation, vérifier la fraîcheur des granules. Briser une granule: si elle se casse nette, elle est fraîche; si elle s'égraine, elle ne l'est pas, ce qui nuira au fonctionnement du barbecue.



- Créosote – Formation et besoin d'élimination. Lorsque les granules brûlent lentement, elles produisent du goudron et des vapeurs organiques qui, combinés à l'humidité évacuée, forment de la créosote. Dans un pot relativement froid ou la cheminée d'un appareil à combustion lente, les vapeurs de créosote se condensent, et le résidu s'accumule sur les parois. La créosote est inflammable et produit un feu extrêmement chaud.
- Inspecter la conduite à graisse au moins deux fois par année pour vérifier si de la graisse ou de la créosote s'y est accumulée.
- Le cas échéant, retirer l'accumulation pour réduire le risque d'incendie.

DÉPANNAGE

CODES D'ERREUR

À de rares occasions, le panneau de commande détecte une erreur et affiche un code d'erreur. Consulter le tableau suivant pour savoir à quelle erreur correspond le code et quelle est la solution.

CODE	DESCRIPTION	SOLUTION
ER1	Erreur du thermomètre de la chambre de cuisson	Le thermomètre n'est plus connecté au panneau de commande en raison d'un fil mal connecté ou d'une défaillance du thermomètre, lequel devra être remplacé.
ER2	Erreur d'allumage	Le barbecue ne détecte aucune augmentation de température pendant 15 minutes après le réglage de la température, signe qu'il ne s'est pas bien allumé. L'allumage peut être affecté par la température ambiante, le blocage de la vis, le manque de granules, l'accumulation de cendre, etc. Vérifier l'alimentation en granules et redémarrer le barbecue.
ER3	Erreur de limite de température supérieure	La température de barbecue dépasse 357 °C (675 °F). Laisser le barbecue refroidir, puis l'éteindre. Retirer les granules restantes dans la chambre de cuisson et redémarrer le barbecue.
ER4	Erreur de limite de température inférieure	La température est grandement inférieure à la température réglée. Si l'ouverture du couvercle est en cause, ignorer le code d'erreur en appuyant sur le sélecteur rotatif. Si le couvercle n'est pas ouvert, il se peut que l'allumeur se soit éteint. Éteindre le barbecue, puis vider le pot de combustion avant de redémarrer.
ER5	Erreur de communication du thermomètre	Un thermomètre branché sur le port P1, avec une température cible, a perdu la connexion. Vérifier que le thermomètre est bien branché sur le panneau de commande. Si le problème persiste, remplacer le thermomètre.
ER9	Erreur de communication réseau	Le panneau de commande était connecté à un réseau sans fil, mais la connexion Internet ou réseau est perdue. Redémarrer le barbecue et s'assurer que le signal sans fil est assez puissant à l'emplacement du barbecue.

REMARQUE : Pour ignorer un code d'erreur, appuyer sur le sélecteur rotatif.

APPELEZ-NOUS

pour obtenir de l'aide ou commander des pièces de rechange, au 1 800 913-8999, du lundi au vendredi entre 8 h et 17 h (heure du Pacifique).



IMPORTANT

N'utiliser que des pièces autorisées par le fabricant. L'utilisation de pièces non autorisées est dangereuse et annulera la garantie.

FOIRE AUX QUESTIONS

QUESTION	RÉPONSE
Que faire si la vis bloque?	<ol style="list-style-type: none"> Débrancher le barbecue et le laisser refroidir. Si la vis ne peut être débloquée à partir de la trappe de la trémie, il faudra possiblement retirer la vis et le moteur. Contacter le service à la clientèle pour de l'aide sur la procédure de retrait et de nettoyage de la vis.
Pourquoi la température fluctue?	C'est normal. Une variation importante peut être causée par le vent, la température ambiante, la quantité de granules ou un mauvais entretien. Éviter d'utiliser le barbecue s'il vente ou pleut.
Pourquoi le feu s'éteint?	Un excédent de cendre dans le pot de combustion peut couvrir l'allumeur et empêcher les granules de brûler. Débrancher le barbecue et le laisser refroidir. Retirer les grilles, le plateau à graisse et le diffuseur. Retirer les granules et la cendre du pot de combustion, idéalement avec un aspirateur muni d'un tuyau.
Pourquoi la température réglée n'est pas atteinte?	Souvent, c'est que le pot de combustion ne reçoit pas suffisamment d'oxygène pour atteindre la température réglée. Vérifier qu'il n'y a pas trop de cendre dans le pot de combustion. Vérifier la trémie et y ajouter des granules au besoin. Remplacer les granules si elles sont humides. Vérifier que le ventilateur fonctionne.
Comment éviter les embrasements?	Pour les aliments à haute teneur en gras, garder la température sous 177 °C (350 °F).

COMMANDE DE PIÈCES DE RECHANGE

Pour s'assurer de commander les bonnes pièces, consulter la liste des pièces de rechange. Conserver le présent guide comme référence pratique et pour la commande de pièces.

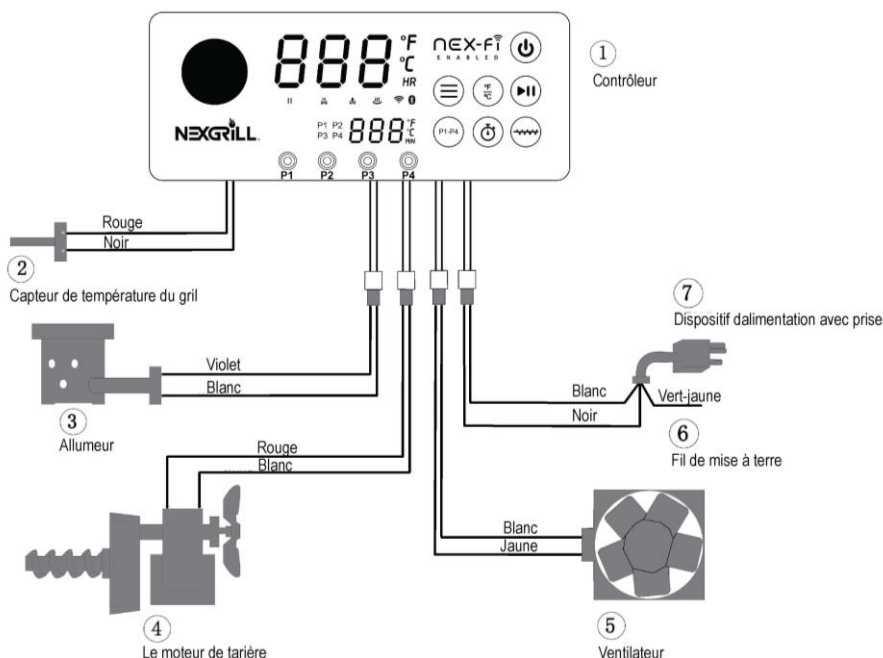
RENSEIGNEMENTS À CONNAITRE POUR COMMANDER :

- Numéro de modèle du barbecue
- Description
- Numéro de série
- Quantité
- Numéro de la pièce

COMMANDE DE PIÈCES PAR TÉLÉPHONE :

1 800 913-8999 aux États-Unis, du lundi au vendredi, de 8 h à 17 h (heure du Pacifique).

SCHÉMA DE CIRCUIT



GARANTIE LIMITÉE

Le fabricant garantit au premier acheteur **SEULEMENT** que ce produit (*modèle 910-05001*) sera exempt de défauts de matériaux et de fabrication, après un montage approprié et dans des conditions normales et raisonnables d'utilisation domestique, pour les périodes indiquées ci-dessous, à compter de la date d'achat. Le fabricant se réserve le droit d'exiger des photographies ou le retour des pièces défectueuses, dont l'envoi est aux frais du consommateur, aux fins d'évaluation et d'examen. L'obligation de Nexgrill se limite à la réparation, au remplacement ou à la valeur dépréciée du produit, à la discrétion de Nexgrill.

Tous les modèles de barbecue aux granules	GARANTIE
Chambre de cuisson et composants non couverts ci-dessous	5 ans
Composants électriques	3 ans
Grilles de cuisson	3 ans

Dès réception de la preuve d'achat fournie par le consommateur, le fabricant réparera ou remplacera les pièces qui s'avèrent défectueuses pendant la période de garantie applicable, durant laquelle les pièces requises pour effectuer la réparation ou le remplacement seront gratuites à l'exception des frais de transport. Le premier acheteur est responsable de tous les frais de transport des pièces remplacées en vertu de la présente garantie limitée. La garantie limitée n'est valide qu'aux États-Unis et au Canada, n'est offerte qu'au premier propriétaire du produit et n'est *pas transférable*. Le fabricant exige une preuve raisonnable de la date d'achat. L'acheteur devrait donc conserver le reçu ou la facture. Si l'appareil est un cadeau, demander à l'acheteur d'envoyer le reçu à l'adresse ci-dessous. Les pièces défectueuses ou manquantes couvertes par la garantie limitée ne seront pas remplacées sans enregistrement du produit ou preuve d'achat. **La garantie limitée couvre les problèmes fonctionnels SEULEMENT et non les problèmes esthétiques tels que les égratignures, les bosses, la corrosion ou la décoloration causée par la chaleur, les produits nettoyants abrasifs ou chimiques ou l'utilisation d'outil durant l'assemblage ou l'installation de l'appareil, la rouille superficielle ou la décoloration des surfaces en acier inoxydable. La rouille superficielle, la corrosion ou l'écaillage de la peinture en poudre sur les pièces en métal qui ne compromettent pas l'intégrité structurelle du produit ne sont pas considérés comme des défauts de matériaux ou de fabrication et ne sont donc pas couverts par la garantie.** La garantie limitée ne couvre pas les désagréments, la perte d'aliments, les blessures et les dommages matériels. Si une pièce de rechange d'origine n'est pas disponible, une pièce équivalente sera expédiée. Les frais de transport des pièces remplacées en vertu de la garantie limitée sont à la charge de l'acheteur.

LE FABRICANT N'EST PAS RESPONSABLE DES FRAIS LIÉS AUX ÉLÉMENTS SUIVANTS :

- Visites à domicile.
- Réparations d'un produit dont l'utilisation ne correspond pas à un usage unifamilial ou domestique normal.
- Dommages causés par un accident, une modification, une mauvaise utilisation, un manque d'entretien ou de nettoyage, un usage abusif, un incendie, une inondation, un cas de force majeure, une installation fautive, une installation non conforme aux codes de l'électricité ou de la plomberie.
- Perte d'aliments due à une défaillance du produit.
- Pièces de remplacement ou frais de main-d'œuvre liés à la réparation pour les appareils utilisés à l'extérieur du Canada ou des États-Unis.
- Ramassage et livraison du produit.
- Port ou traitement des photographies envoyées à titre de preuve.
- Réparations de pièces ou de systèmes résultant de modifications non autorisées.
- Retrait ou réinstallation du produit.
- Expédition standard ou accélérée des pièces de rechange couvertes ou non par la garantie.

EXONÉRATION DE GARANTIES IMPLICITES; LIMITATION DES RECOURS

La réparation ou le remplacement des pièces défectueuses est le seul recours en vertu de la garantie limitée. Le fabricant n'est pas responsable des dommages indirects ou accessoires entraînés par la violation de la garantie limitée ou de toute garantie implicite applicable, ni des défauts ou des dommages causés par un cas de force majeure, un entretien et un nettoyage inadéquats, un feu de graisse, un accident, une modification du produit, le remplacement de pièces par une personne autre que le fabricant, une mauvaise utilisation, le transport du produit, un usage commercial ou abusif, un milieu hostile (intempéries, phénomènes naturels ou dommages causés par des animaux) ou une installation inadéquate ou non conforme aux codes locaux ou aux instructions imprimées du fabricant.

LA PRÉSENTE GARANTIE LIMITÉE EST LA SEULE GARANTIE EXPRESSE FOURNIE PAR LE FABRICANT. AUCUNE SPÉCIFICATION OU DESCRIPTION EN MATIÈRE DE RENDEMENT N'EST GARANTIE PAR LE FABRICANT SAUF DANS LA MESURE STIPULÉE PAR LA PRÉSENTE GARANTIE LIMITÉE. TOUTE GARANTIE IMPLICITE EN VERTU DES LOIS ÉTATIQUES OU PROVINCIALES, Y COMPRIS LA GARANTIE IMPLICITE DE QUALITÉ MARCHANDE ET D'ADAPTATION À UN USAGE DONNÉ, EST LIMITÉE À LA DURÉE DE LA PRÉSENTE GARANTIE LIMITÉE.

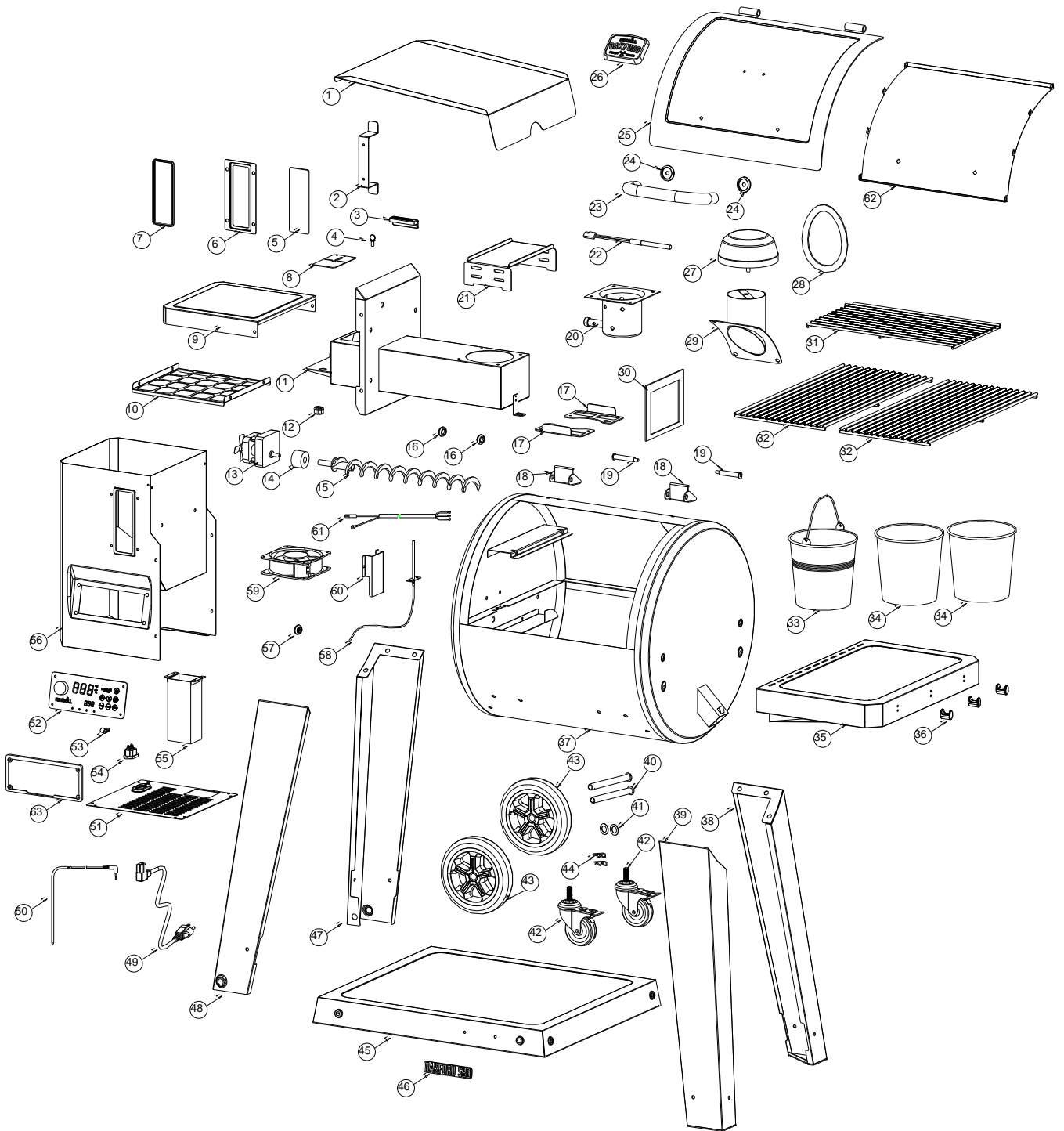
Ni le détaillant ni le commerçant ne sont autorisés à offrir une garantie supplémentaire ou à promettre des recours au-delà de ceux susmentionnés ou incompatibles avec ceux-ci. Le montant de la responsabilité maximale du fabricant ne peut en aucun cas dépasser le prix d'achat documenté du produit payé par le premier acheteur. La garantie ne s'applique qu'aux appareils achetés auprès d'un détaillant ou d'un revendeur autorisé. N.B. : Puisque certains États et certaines provinces ne permettent pas l'exclusion ou la restriction des dommages indirects ou accessoires, certaines des restrictions ou des exclusions énoncées ci-dessus pourraient ne pas s'appliquer. L'acheteur peut avoir d'autres droits selon l'endroit où il habite.

Pour demander l'exécution d'une obligation en vertu de cette garantie limitée, écrire aux coordonnées suivantes :

**Nexgrill Customer Relations
14050 Laurelwood PI
Chino, CA 91710**

Pour retourner un produit, commander des pièces ou obtenir des renseignements généraux ou de l'assistance technique, appeler au 1 800 913-8999 aux États-Unis ou au 1 800 648-5864 au Canada, entre 8 h et 17 h (heure du Pacifique) en semaine. Service en français, en anglais et en espagnol.

PIÈCES DE RECHANGE



PIÈCES DE RECHANGE

N°	DESCRIPTION	GARANTIE	Q ^{té}	N°	DESCRIPTION	GARANTIE	Q ^{té}
1	Plateau à graisse	5	1	23	Poignée du couvercle	5	1
2	Support à cordon d'alimentation	5	1	24	Rondelle de la poignée du couvercle	5	2
3	Poignée du plateau de chute	5	1	25	Couvercle principal	5	1
4	Vis du plateau de chute	5	1	26	Plaque d'identification (couvercle)	5	1
5	Fenêtre	5	1	27	Capuchon de la cheminée	5	1
6	Cadre de fenêtre	5	1	28	Joint de la cheminée	5	1
7	Scellant du cadre	5	1	29	Cheminée	5	1
8	Plateau de chute	5	1	30	Joint du boîtier de la trémie	5	1
9	Couvercle de la trémie	5	1	31	Grille de réchaud	3	1
10	Grille de protection de la trémie	5	1	32	Grille de cuisson	3	2
11	Boîtier de la vis sans fin	5	1	33	Seau à graisse	5	1
12	Fixation du cordon d'alimentation	5	1	34	Doublure du seau à graisse	5	2
13	Moteur de la vis sans fin	3	1	35	Tablette latérale	5	1
14	Douille en nylon	5	1	36	Crochet	5	3
15	Vis sans fin	3	1	37	Chambre de cuisson	5	1
16	Anneau en silicone A (pour orifice des câbles de moteur et de la tige d'allumage)	5	2	38	Patte arrière droite	5	1
17	Support du diffuseur	5	2	39	Patte avant droite	5	1
18	Charnière du couvercle	5	2	40	Axe de roulette	5	2
19	Axe du couvercle	5	2	41	Rondelle de roulette	5	2
20	Pot de combustion	5	1	42	Roulette verrouillable	5	2
21	Diffuseur	5	1	43	Roulette de 7 po	5	2
22	Tige d'allumage	5	1	44	Goupille de roulette	5	2

PIÈCES DE RECHANGE

N°	DESCRIPTION	GARANTIE	Q ^{té}	N°	DESCRIPTION	GARANTIE	Q ^{té}
45	Panneau inférieur	5	1	55	Conduite de vidange des granules	5	1
46	Plaque d'identification (panneau inférieur)	5	1	56	Trémie	5	1
47	Patte arrière gauche	5	1	57	Anneau de silicone B (ouverture du thermomètre)	5	1
48	Patte avant gauche	5	1	58	Capteur de température à résistance	3	1
49	Cordon d'alimentation	3	1	59	Ventilateur	3	1
50	Thermomètre	3	1	60	Couverture du capteur de température à résistance	5	1
51	Panneau inférieur de la trémie	5	1	61	Câble du panneau de commande	5	1
52	Panneau de commande	3	1	62	Bouclier thermique du couvercle	5	1
53	Attache-câble	5	1	63	Contrôleur Fascia	5	1
54	Adaptateur mâle	5	1				

INFORMACIÓN DE SEGURIDAD IMPORTANTE

¡ADVERTENCIA! Siga estas directrices para evitar que este gas incoloro e inodoro les cause una intoxicación a usted, a su familia o a otras personas:

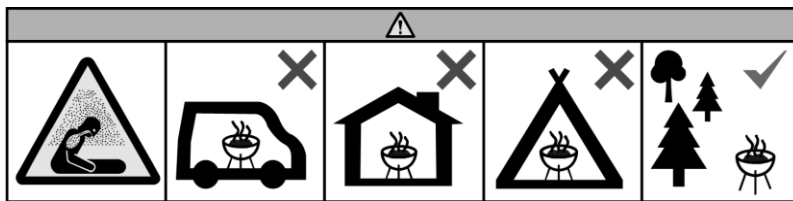
- Los síntomas de la intoxicación por monóxido de carbono son dolor de cabeza, mareos, debilidad, náuseas, vómitos, somnolencia y confusión. El monóxido de carbono reduce la capacidad de la sangre de transportar oxígeno. Los niveles bajos de oxígeno en la sangre pueden provocar la pérdida de conocimiento y la muerte.
- Consulte con un médico si usted y otras personas presentan síntomas de resfriado o gripe cuando cocinan o están cerca de este artefacto. La intoxicación por monóxido de carbono, que puede confundirse con facilidad con un resfriado o una gripe, suele detectarse demasiado tarde.
- El consumo de alcohol y drogas aumenta los efectos de la intoxicación por monóxido de carbono.

El monóxido de carbono es particularmente tóxico para la madre y el niño durante el embarazo, los bebés, los ancianos, los fumadores y las personas que sufren problemas de la sangre o del sistema circulatorio, como anemia, o cardiopatías.



¿Tiene preguntas o problemas, o le faltan piezas?

Antes de consultar al vendedor, comuníquese con nuestro departamento de Servicio al Cliente llamando al teléfono de Estados Unidos 1-800-913-8999, de 8 a. m. a 5 p. m., de lunes a viernes. CustomerService@GrillServices.com



¡ADVERTENCIA! No utilice la parrilla en un espacio cerrado o habitable, por ejemplo, casas, carpas, caravanas, casas rodantes, barcos. Peligro de muerte por intoxicación con monóxido de carbono.

¡ADVERTENCIA! Si se produce un incendio:

- Aléjese del artefacto y llame a los bomberos de inmediato.
- No intente mover el artefacto, sofocar el fuego ni echarle agua.
- Mantenga limpio el artefacto, consulte las Instrucciones de cuidado y mantenimiento.

¡PRECAUCIÓN! Nunca utilice gasolina, combustible para linternas, querosén, líquido para encender carbón o líquidos similares para iniciar o reavivar in el fuego en este artefacto. Mantenga todos estos líquidos bien alejados del artefacto cuando esté en uso.

¡ATENCIÓN! ¡Esta barbacoa se calentará mucho, no la mueva durante su utilización!

UNA DE LAS PRINCIPALES CAUSAS DE INCENDIO ES NO MANTENER LAS DISTANCIAS REQUERIDAS (ESPACIOS DE AIRE) CON LOS MATERIALES COMBUSTIBLES. ES SUMAMENTE IMPORTANTE QUE ESTE PRODUCTO SE INSTALE SOLO SEGÚN ESTAS INSTRUCCIONES.

¡ADVERTENCIA!

- No utilice pellets para calefacción. Solo utilice pellets para cocción de madera 100 % natural destinados al uso en parrillas de pellets.
- Recomendamos usar pellets con las siguientes especificaciones: 8000-8500 BTU/LB con contenido de ceniza inferior al 1%.
- No utilice combustible para pellets que contenga aditivos.
- Nunca coloque astillas o pedazos de madera en la tolva.
- Utilice solo pellets secos. Si la parrilla se almacenó con la tolva llena, verifique que los pellets estén bien secos antes de utilizarlos. Los pellets de madera dura pueden absorber la humedad en ambientes húmedos o mojados, lo que provoca que se expandan y tal vez obstruyan o atasquen el sistema de barrena.
- Nunca permita que la tolva se vacíe mientras la parrilla esté en funcionamiento. Asegúrese de llenar la tolva de pellets con la cantidad suficiente antes de usarla o vuelva a llenarla según sea necesario.

PROPOSICIÓN 65 DE CALIFORNIA

SOLO PARA RESIDENTES DE CALIFORNIA:



¡ADVERTENCIA! Este producto puede exponerle a químicos incluyendo el polvo de la madera y el hollín, que son conocidos por el Estado de California como causantes de cáncer.



¡ADVERTENCIA! Este producto puede exponerle a químicos incluyendo el monóxido de carbono, que es conocido por el Estado de California como causante de defectos de nacimiento u otros daños reproductivos.

Para mayor información, visite www.P65Warnings.ca.gov.

PRÁCTICAS DE SEGURIDAD PARA EVITAR LESIONES

Si se cuida de forma adecuada, su parrilla le brindará un servicio seguro y confiable durante muchos años. De todos modos, hay que tener mucho cuidado ya que la parrilla produce un calor intenso que puede provocar lesiones si se usa de forma incorrecta. Al usar este artefacto, se deben seguir medidas de seguridad básicas, como las siguientes:

- No repare ni reemplace ninguna pieza de la parrilla a menos que se recomiende de forma específica en este manual. Cualquier otro tipo de servicio debe remitirse a un técnico calificado.
- Este artefacto para cocinar al aire libre no está destinado a la instalación en botes y otros vehículos recreativos.
- No utilice esta parrilla debajo de ninguna construcción combustible elevada, que incluye techos o salientes.
- **¡ADVERTENCIA!** Mantenga alejados a los niños y las mascotas. No deje a los niños solos o sin supervisión en una zona donde se esté usando la parrilla. No permita que se sienten, se paren o jueguen sobre la parrilla o alrededor de esta en ningún momento.
- Este aparato puede ser usado por niños a partir de los 8 años de edad y por personas que tengan capacidades físicas, sensoriales o mentales reducidas, o que no posean experiencia y conocimiento, siempre y cuando hayan sido supervisados e instruidos en lo que respecta a la seguridad en el uso del aparato y comprendan los riesgos involucrados. Los niños no deben jugar con el aparato. Tampoco deben realizar tareas de limpieza o mantenimiento sin supervisión.
- Si el cable de suministro está dañado, debe ser sustituido por un cable especial o conjunto disponible por el fabricante o su agente de servicio.
- No guarde artículos de interés para los niños alrededor de la parrilla o debajo de ella.
- Para su seguridad personal, use ropa adecuada. Evite usar prendas o mangas sueltas mientras utiliza este artefacto. Algunas telas sintéticas son muy inflamables y no deben usarse al cocinar.
- Utilice siempre guantes o manoplas resistentes al calor cuando manipule componentes especialmente calientes.
- Cuando utilice la parrilla, no toque el estante de calentamiento, la rejilla de los quemadores o las zonas muy cercanas, ya que se calientan mucho y podrían provocar quemaduras. Utilice solo agarraderas secas. Las agarraderas húmedas o mojadas sobre superficies calientes pueden causar quemaduras por vapor. No utilice una toalla o un paño muy grande en el lugar o con las agarraderas. No permita que las agarraderas toquen las partes calientes del estante de la parrilla.
- Solo determinados tipos de vidrio, vitrocerámica resistente al calor, loza u otros utensilios esmaltados son adecuados para el uso en la parrilla. Estos materiales pueden romperse con los cambios bruscos de temperatura. Utilice el artefacto solo a temperatura baja o media, según las indicaciones del fabricante.
- No caliente recipientes de comida sin abrir. Un aumento de la presión puede hacer que los recipientes estallen.
- Nunca se incline sobre una parrilla abierta.
- La grasa es inflamable. Deje que la grasa caliente se enfríe antes de intentar manipularla. Limpie con frecuencia la bandeja y el cubo para la grasa para evitar que se acumule.

- No use agua para controlar llamaradas o extinguir el fuego. Apague la parrilla, desenchufe el cable de alimentación y espere que se enfríe.
- El sistema para la grasa debe estar debidamente instalado cuando se use la parrilla. Nunca utilice la parrilla sin tener un cubo para la grasa en el lugar, debajo del estante lateral.
- Retire las cenizas después de que la parrilla se haya enfriado por completo, tras apagarla correctamente. Espere a que la grasa y las cenizas se enfríen por completo para desecharlas.
- Espere a que el combustible se extinga y la parrilla se enfríe en su totalidad antes de moverla, cubrirla o guardarla.
- No utilice papel de aluminio para recubrir los estantes o el fondo de la parrilla. Esto puede alterar gravemente el flujo de aire de combustión o atrapar un calor excesivo en la zona de control.
- Limpie la parrilla con precaución. Para evitar quemaduras por vapor, no utilice una esponja o paño húmedo para limpiar la parrilla mientras esté caliente. Algunos limpiadores producen vapores tóxicos o pueden encenderse si se aplican en una superficie caliente.
- Apague los controles de la parrilla y asegúrese de que esta esté fría antes de usar cualquier tipo de limpiador en aerosol alrededor de la parrilla o sobre ella. El producto químico que genera la acción de rociado podría encenderse o provocar la corrosión de las piezas metálicas en presencia de calor.
- Mantenga la zona que rodea a la parrilla libre de materiales combustibles como líquidos, residuos y vapores, como la gasolina o el líquido para encender carbón. No obstruya el flujo de aire de combustión y de ventilación.
- Para reducir el riesgo de incendio, retire las ollas y sartenes mientras el artefacto en funcionamiento esté sin supervisión.
- No utilice accesorios que no sean específicos para este artefacto.
- El uso de alcohol o de medicamentos recetados o no recetados puede perjudicar la capacidad del consumidor para montar de forma correcta o manejar con seguridad el artefacto.
- Eliminación de cenizas - Las cenizas deben colocarse en un recipiente metálico con tapa hermética. El recipiente cerrado debe colocarse en un piso no combustible o en el suelo, bien alejado de todo material combustible, hasta que finalmente se eliminen las cenizas. Cuando las cenizas se eliminen enterrándolas en el suelo o dispersándolas localmente, deben conservarse en el recipiente cerrado hasta que todas las rescoldos se hayan enfriado por completo.

PRECAUCIÓN: COMPONENTES ELÉCTRICOS



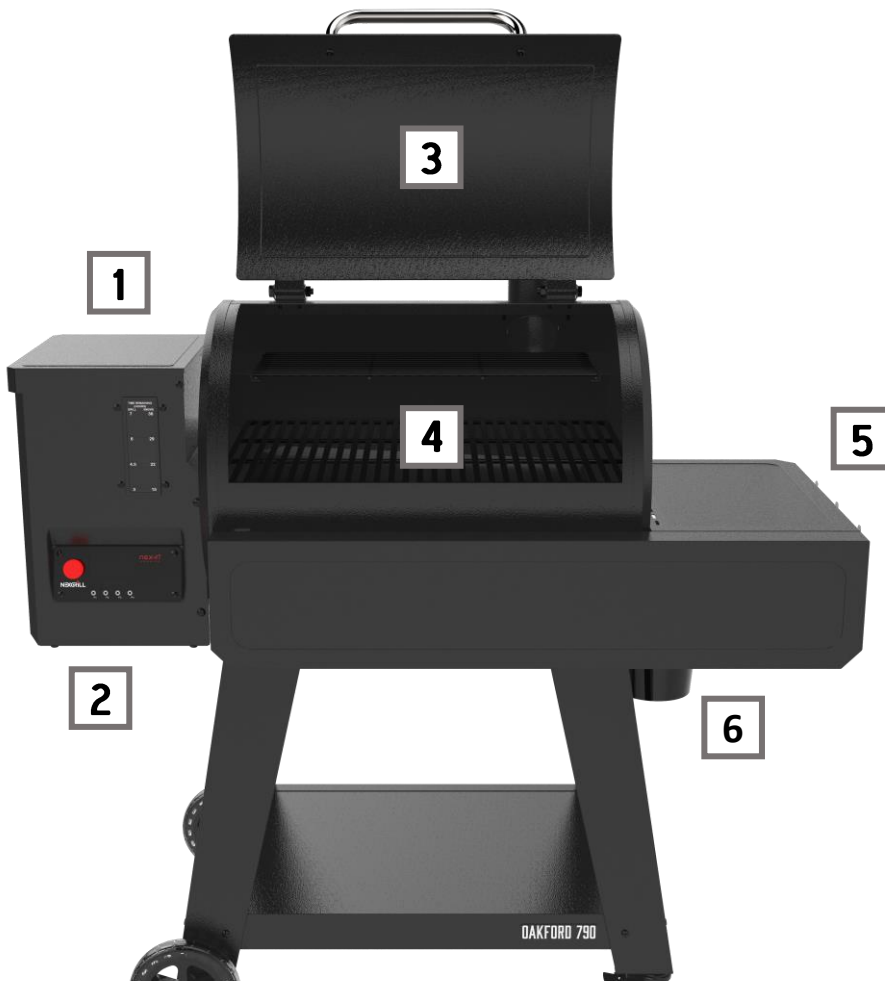
- Desconecte la corriente eléctrica antes de realizar tareas de mantenimiento. No intente limpiar o reparar la parrilla mientras esté conectada a una fuente de electricidad.
- La fuente de alimentación eléctrica externa que se utilice para este artefacto debe estar conectada a tierra de acuerdo a los códigos locales.
- Revise el enchufe antes de utilizarlo. No enchufe la parrilla si está dañado.
- Asegúrese de que el cable de alimentación no entre en contacto con superficies calientes.
- No corte ni retire la clavija de conexión a tierra del enchufe. Utilice solo un circuito protegido por un interruptor de circuito con conexión a tierra para alimentar la parrilla.
- El alto voltaje que se utiliza para alimentar la parrilla puede provocar una descarga eléctrica o incluso la muerte. No sumerja en líquido ningún elemento electrónico o de calentamiento. No lo utilice cerca de ninguna fuente de agua ni bajo la lluvia.
- Cuando desenchufe la parrilla, no tire del cable. Siempre tire del enchufe.



¡PRECAUCIÓN!

No instale o use la parrilla a menos de 24 pulgadas (60,96 cm) de cualquier material combustible desde la parte posterior o los laterales de la parrilla. La parrilla no debe ubicarse bajo superficies elevadas (cochera cerrada, garaje, porche, patio) que puedan incendiarse.

SISTEMA DE PARRILLA DE PELLETS



1 TOLVA

La tolva de gran capacidad cuenta con un sistema de limpieza de pellets con acceso posterior y puede contener suficientes pellets para una sesión de ahumado durante todo el día. El indicador de combustible para pellets I-Site™ muestra las horas estimadas de combustible que quedan en la tolva, según el modo de cocción.

2 CONTROL DIGITAL

El controlador SureTemp™ que se habilita por wifi y Bluetooth® †, con tecnología de control preciso de temperatura preciso incorporada puede utilizarse para establecer y ajustar la temperatura, el temporizador y las opciones de cocción. Para disfrutar por completo de la experiencia Oakford™, conéctese a la aplicación NEX-Fi. Consulte la sección in Conexión a la red wifi y Bluetooth® † para acceder a las instrucciones.

3 TAPA Y CÁMARA DE COMBUSTIÓN

El revestimiento resistente a las altas temperaturas ayuda a evitar la oxidación y el agrietamiento con el paso del tiempo, lo que mantiene el buen aspecto de la parrilla durante más tiempo. La junta que rodea la tapa ayuda a atrapar el humo, lo que aporta un sabor más ahumado a su experiencia culinaria.

4 AMPLIA ZONA DE COCCIÓN

Las rejillas de cocción, recubiertas de porcelana y fáciles de limpiar, admiten una gran cantidad de alimentos para todos sus invitados. El estante superior de calentamiento se puede quitar para acomodar piezas de carne más grandes.

5 ESPACIO PARA PREPARACIONES

Los estantes frontales o laterales ofrecen un amplio espacio para preparaciones para todos los alimentos; con espacio de sobra para los utensilios de cocina, las especias para condimentar o una bebida fría. En el estante lateral hay tres ganchos para colgar los utensilios de la parrilla o las manoplas. En los modelos que incluyen un estante frontal, este puede cerrarse con facilidad tirando hacia arriba y luego plegándolo hacia abajo.

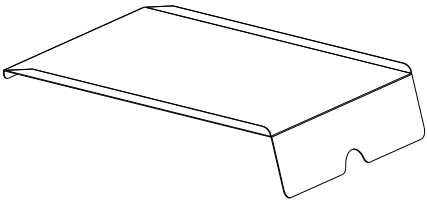
6 SISTEMA PARA GRASA

La grasa que gotea en la bandeja para grasa se canaliza hacia el cubo. Recomendamos usar un recubrimiento de aluminio para el cubo para grasa, de modo de lograr una limpieza rápida y fácil.

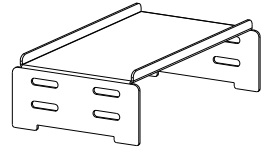
† Bluetooth® es una marca registrada de The Bluetooth Special Interest Group (SIG).

LISTA DE PIEZAS

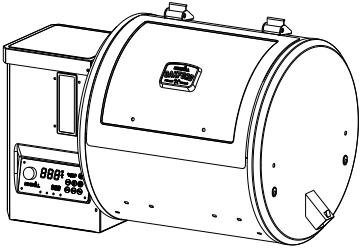
1



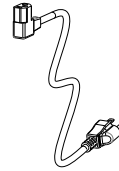
2



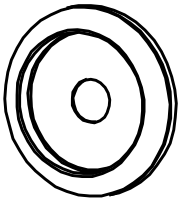
3



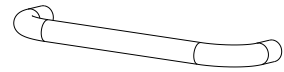
4



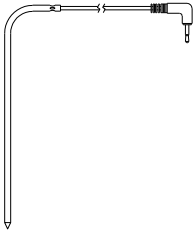
5 X2



6



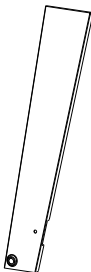
7



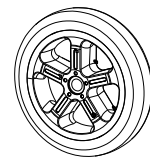
8



9

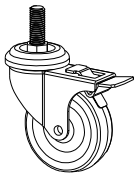


10 X2

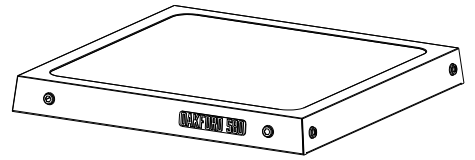


LISTA DE PIEZAS

11 X2



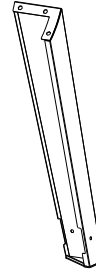
12



13



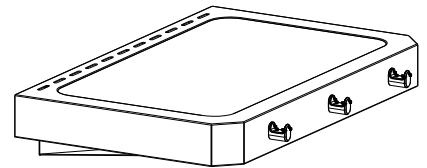
14



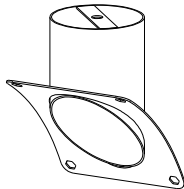
15



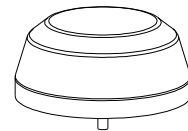
16



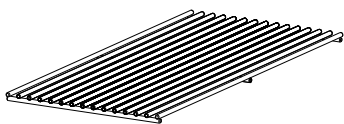
17



18



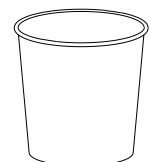
19 X2



20



21 X2



INSTRUCCIONES DE MONTAJE



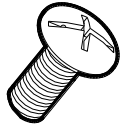
PREPARACIÓN:

Antes de comenzar el montaje o la instalación del producto y de ponerlo en marcha, asegúrese de tener todas las piezas y verifique que no estén dañadas. Compare las piezas con la lista de contenidos del paquete y el diagrama anterior. Si alguna pieza falta o está dañada, no intente montar, instalar o usar el producto. Comuníquese con nuestro servicio de atención al cliente para obtener piezas de repuesto.

LEA ATENTAMENTE TODAS LAS ADVERTENCIAS DE SEGURIDAD Y LAS INSTRUCCIONES DE MONTAJE E INSTALACIÓN ANTES DE REALIZAR EL MONTAJE.

ACCESORIOS

A X26



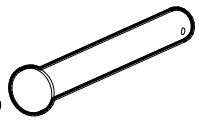
B X26



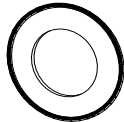
C X26



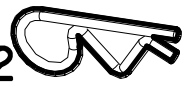
D X2



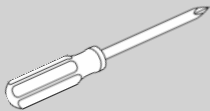
E X2



F X2



HERRAMIENTAS NECESARIAS (NO SE INCLUYEN)



Destornillador Phillips

ALGUNAS PIEZAS VIENEN CON TORNILLOS PREINSTALADOS. AFLÓJELOS Y AJÚSTELOS EN EL MONTAJE FINAL.

SUGERENCIAS:

- Algunos pasos para el montaje requerirán dos personas.
- Utilice una superficie plana y nivelada para montar la parrilla.

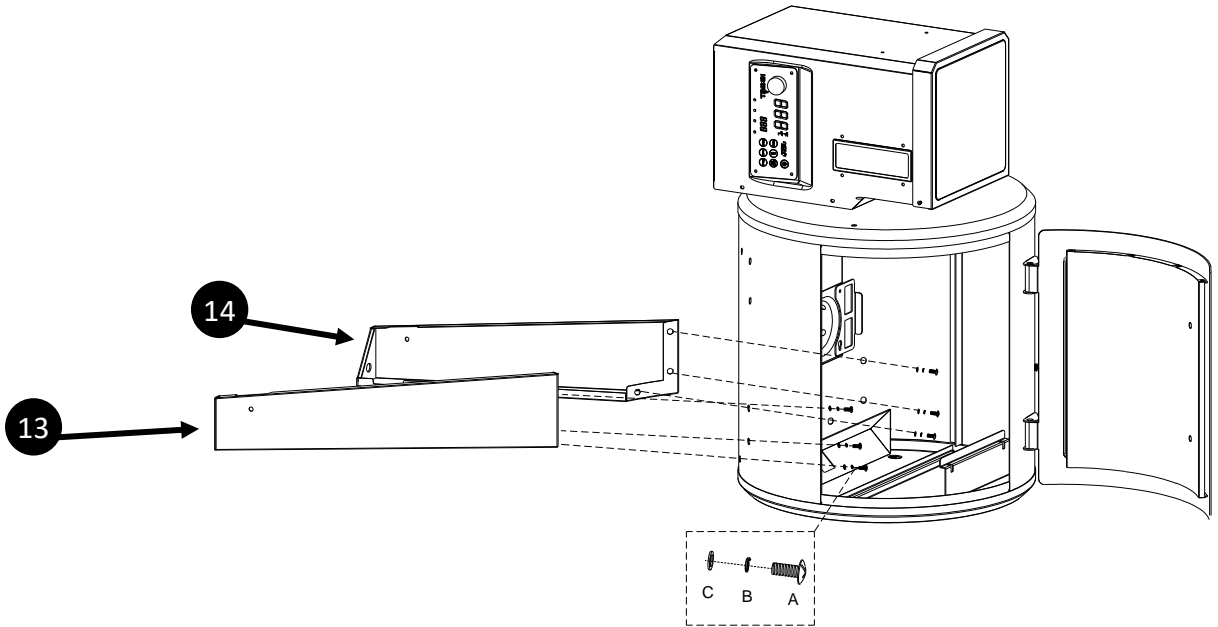


¡PRECAUCIÓN!

Un montaje incompleto o inadecuado puede ser peligroso. No utilice la parrilla si falta alguna pieza. La parrilla debe montarse de forma correcta según las instrucciones que proporciona el fabricante.

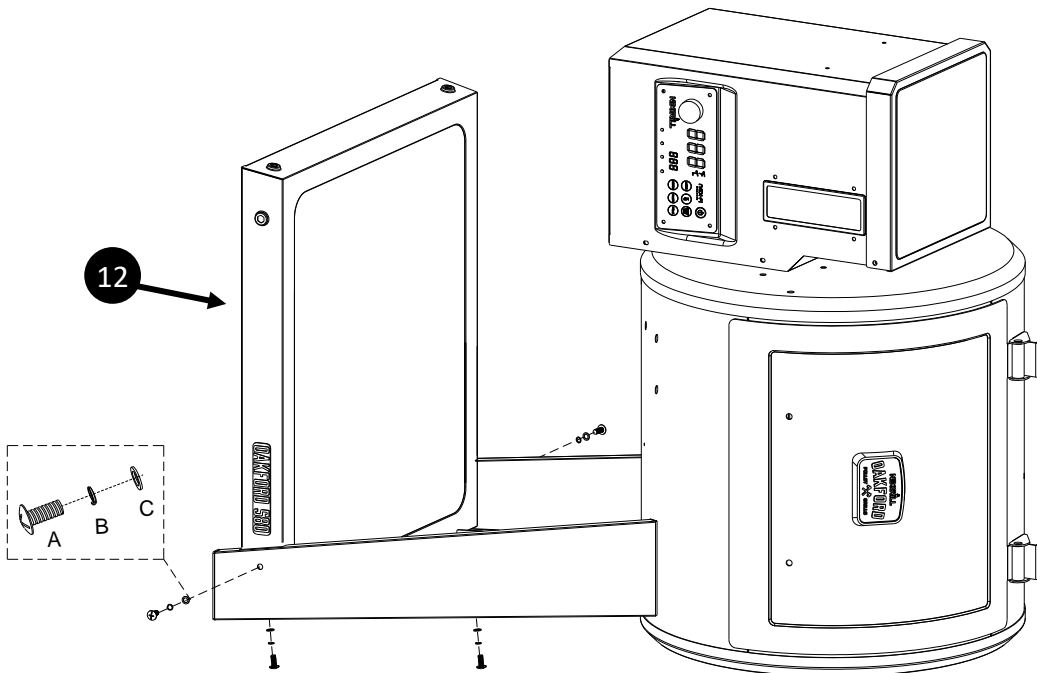
1

A×6 B×6 C×6



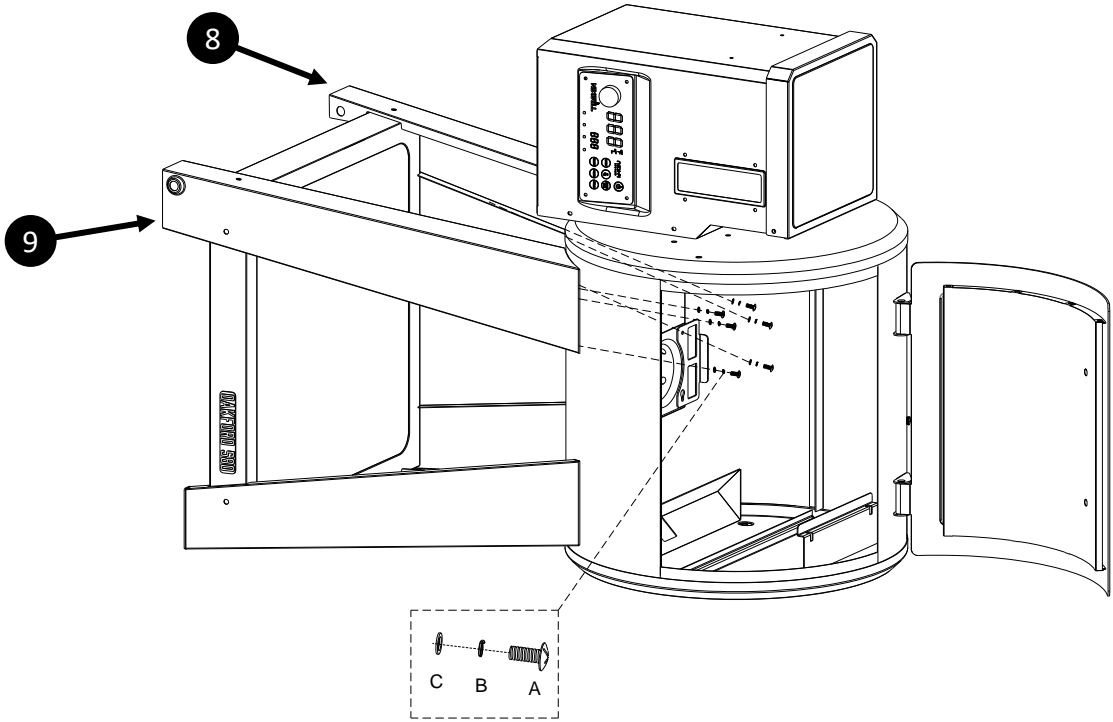
2

A×4 B×4 C×4



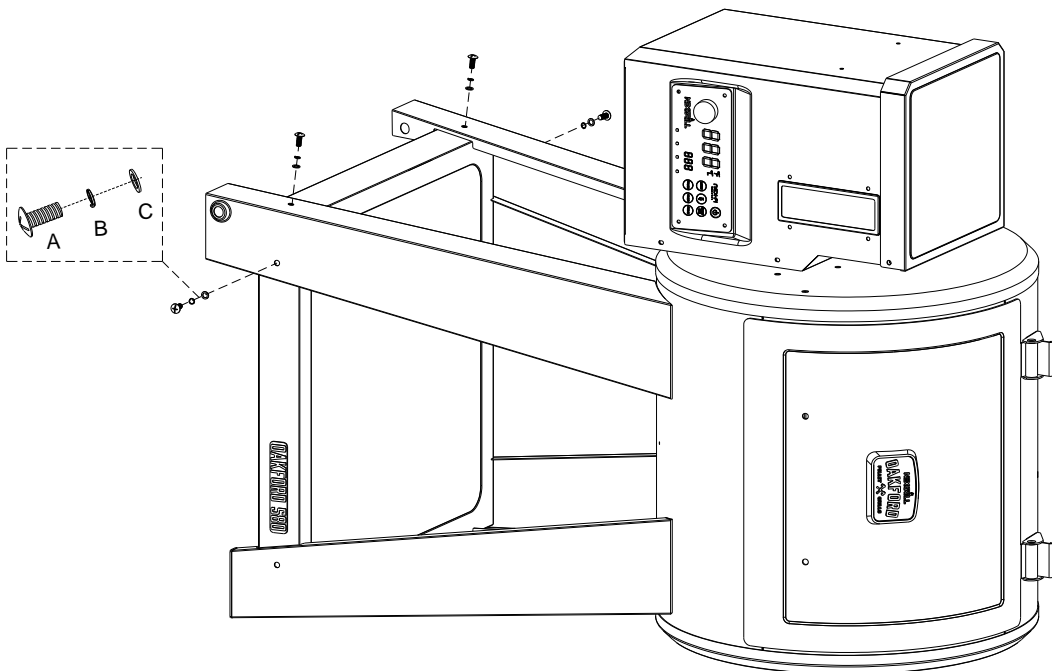
3

A×6 B×6 C×6



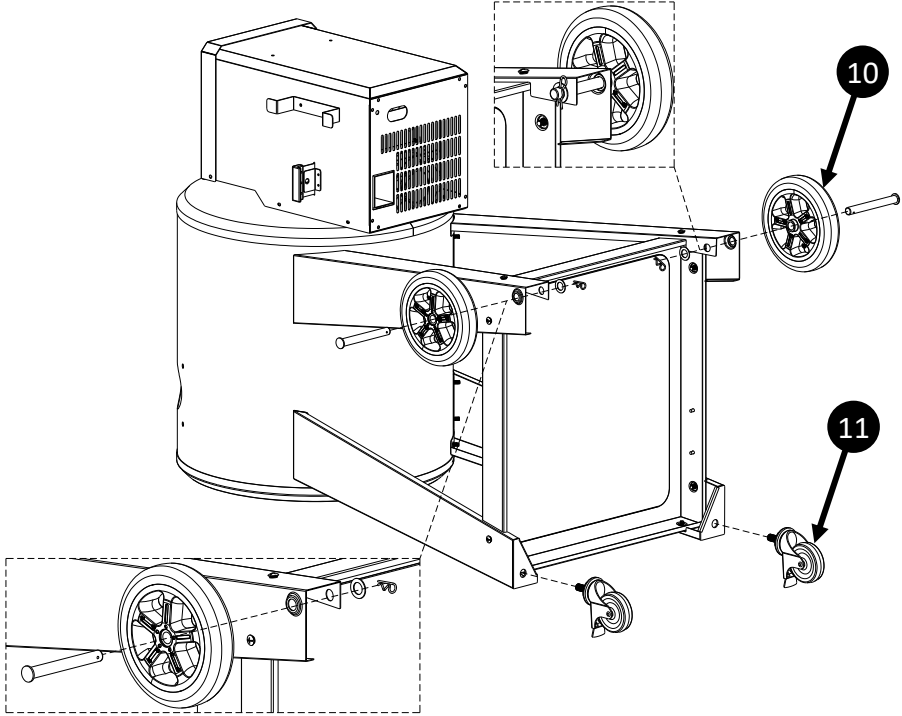
4

A×4 B×4 C×4

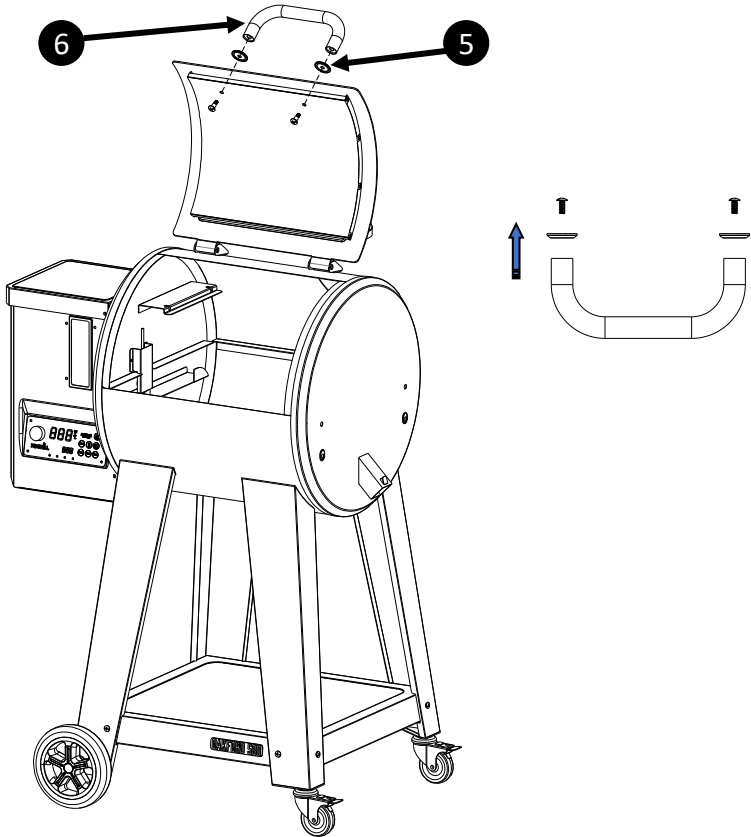


5

D×2 E×2 F×2

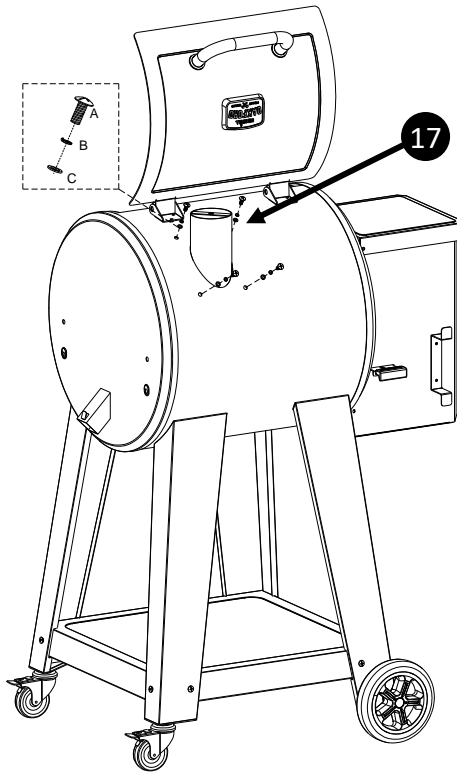


6

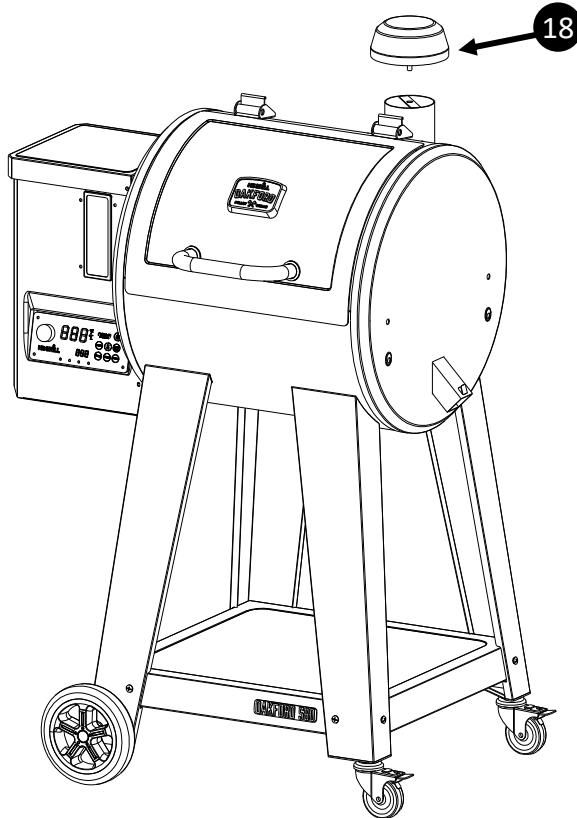


7

A×4 B×4 C×4

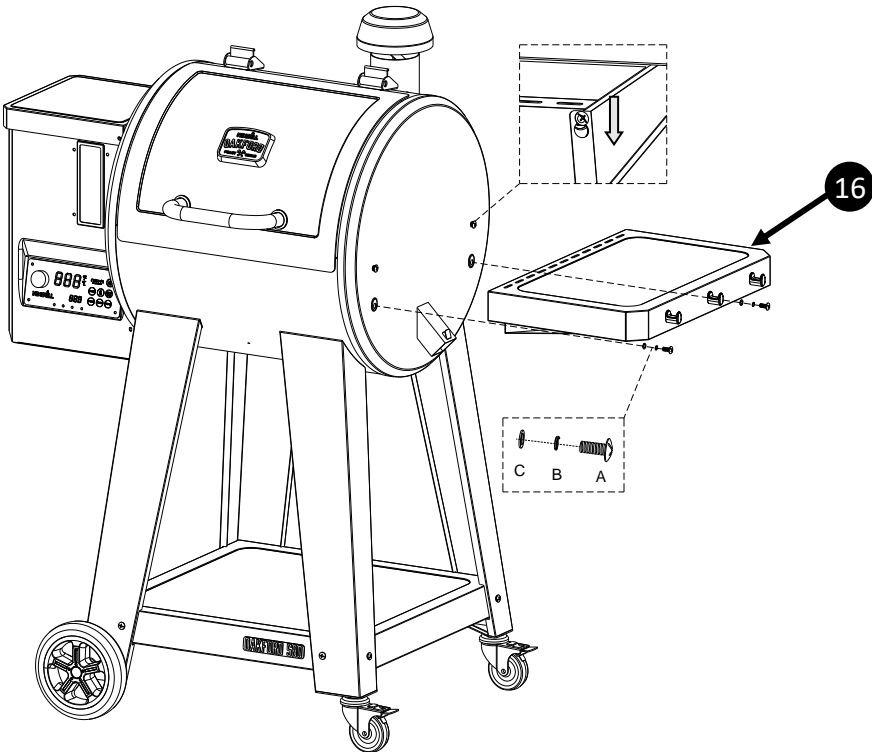


8

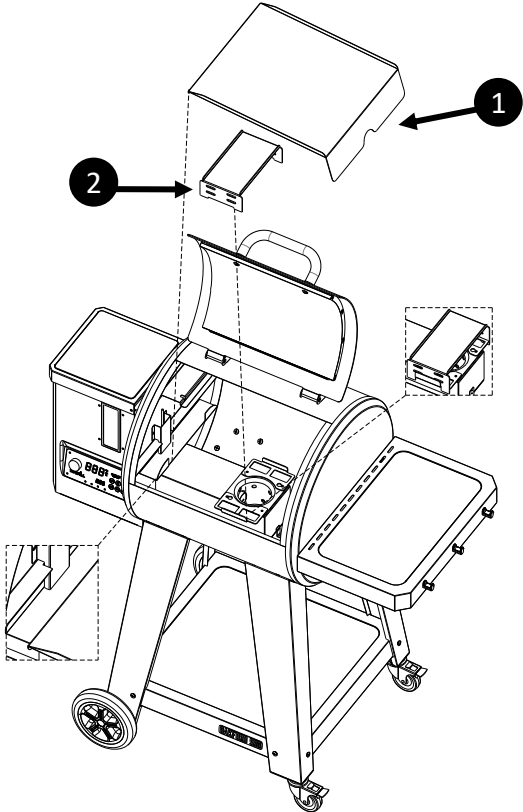


9

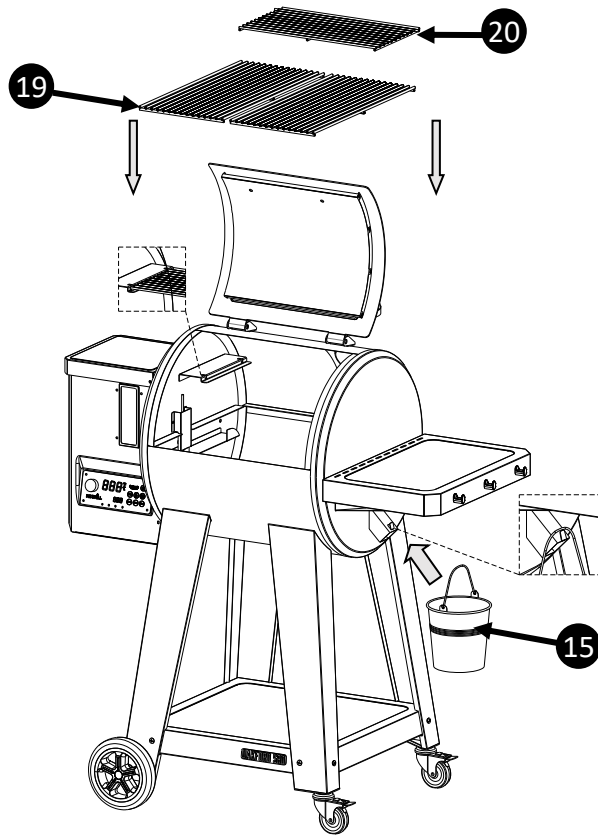
A×2 B×2 C×2



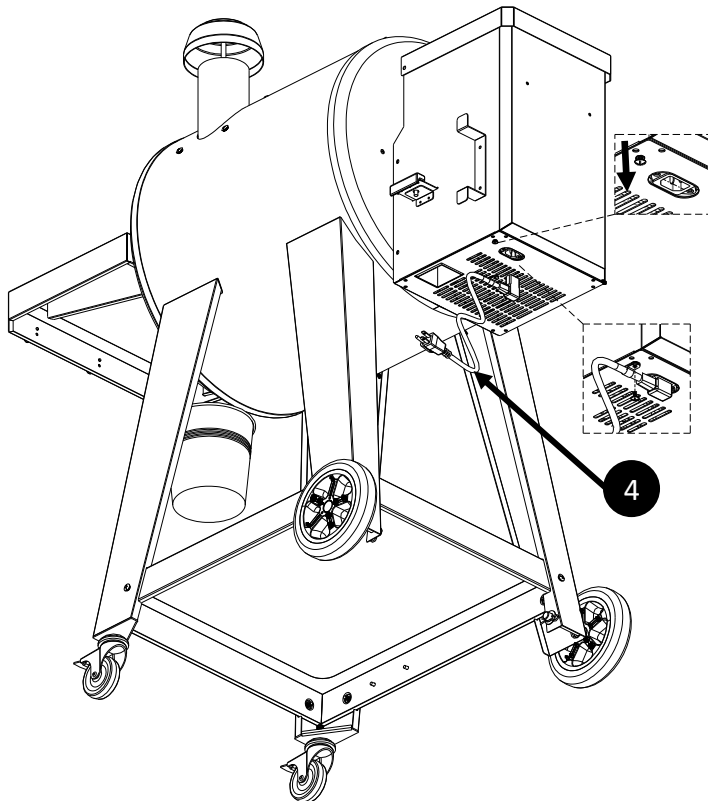
10

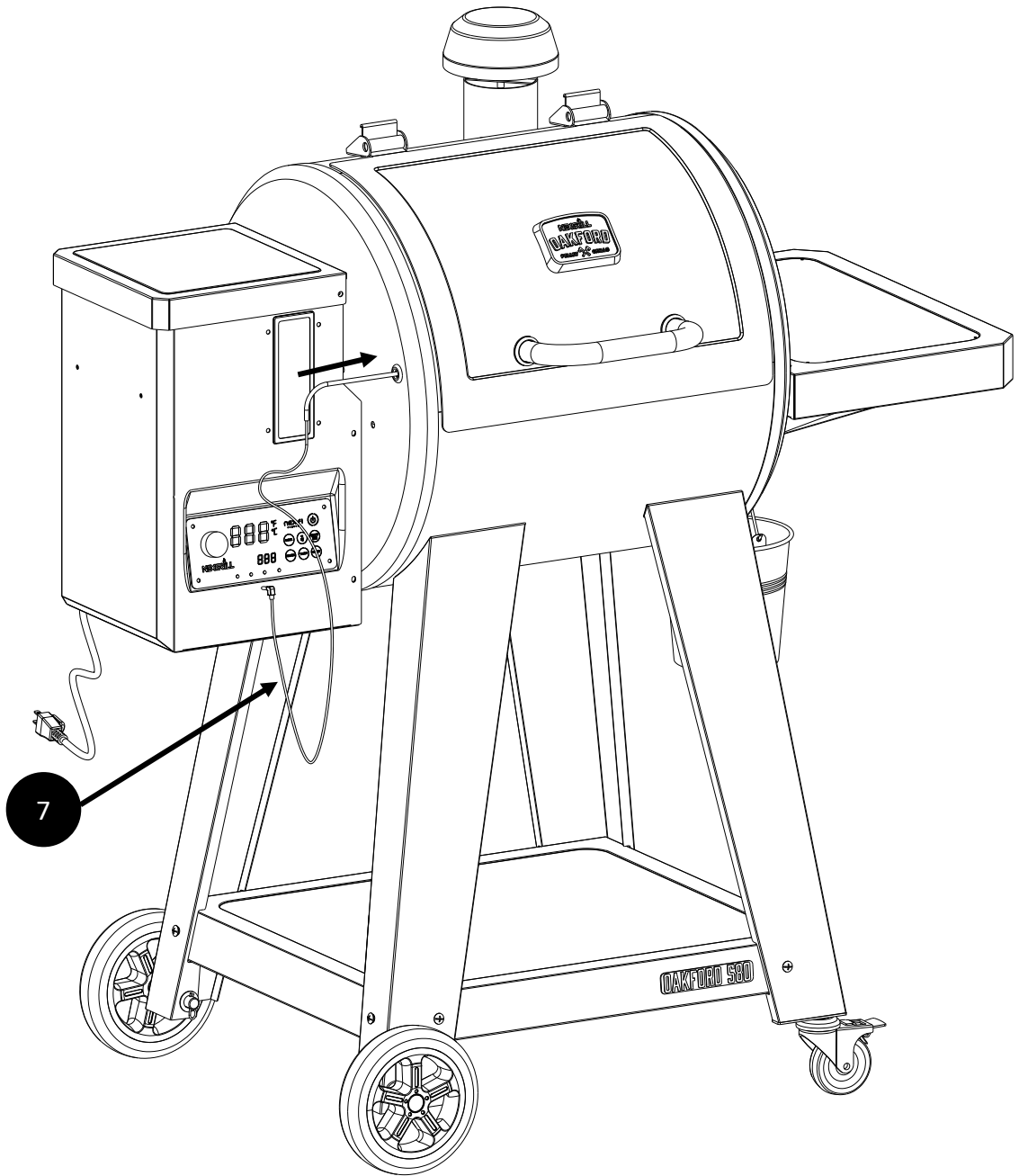


11

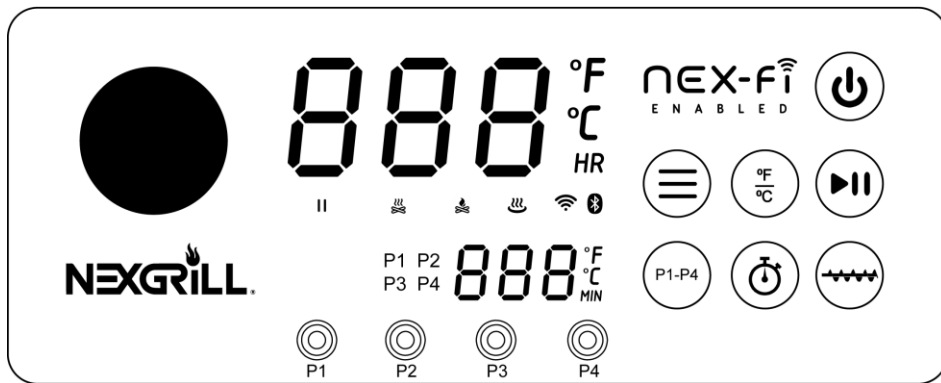


12





GUÍA DEL CONTROLADOR



DIAL DE CONTROL

Gire este dial de control para ajustar los valores del temporizador, la temperatura de la sonda de carne y la temperatura de la parrilla. Presione el dial de control para confirmar el nuevo valor deseado. La temperatura de la parrilla se puede ajustar en incrementos de 3 °C (5 °F). Durante la cocción, presione el mango para visualizar la temperatura de ajuste actual de la parrilla.



ENCENDIDO

Presione para encender el controlador. Cuando termine de cocinar, presione de nuevo para entrar en el proceso de apagado automático.



MODO

Presione para pasar entre los tres modos de funcionamiento predeterminados. Presione el dial de control para confirmar la selección del modo con una temperatura predeterminada o ajustar la temperatura antes de seleccionarla, girando el dial de control.

	MODO HUMO Preprogramado para el ahumado lento, este programa tiene una temperatura predeterminada de 107 °C (225 °F).
	MODO PARRILLA Utilizando un algoritmo PID para un control preciso de la temperatura, este programa tiene una temperatura predeterminada que se ajusta a in ALTA in (por encima de 288 °C (550 °F) según el modelo).
	MODO CALIENTE Preajustado a solo 82 °C (180 °F), este modo se utiliza en particular para mantener los alimentos calientes. Si se selecciona, la parrilla cambiará a CALIENTE de forma automática cuando P1 haya alcanzado la temperatura deseada.



UNIDAD DE TEMPERATURA

Presione para cambiar la escala de la temperatura entre Fahrenheit y Celsius.



ACTIVAR/PAUSAR

En principio, se utiliza para comenzar el proceso de encendido después de seleccionar un modo de cocción, y se puede presionar mientras se cocina para pausar el programa. Ayudará a evitar la sobre alimentación de pellets debido a una disminución de la temperatura (por ejemplo, por la tapa abierta). Cuando se encuentre en pausa, o una vez encendida, la parrilla quedará en modo de espera y el ícono “II” (pausa) se iluminará.

Presiónelo de nuevo para reanudar el último programa. Si dentro de los cinco minutos no se realiza ninguna acción, la parrilla entrará en el proceso de apagado.



SONDAS

Esta parrilla de pellets Oakford puede utilizar hasta cuatro sondas de temperatura para ayudarlo a cocinar una variedad de alimentos a la perfección. Presione para pasar por cada sonda conectada. Una vez que aparezca el índice (P1, P2, etc.), presione y mantenga presionado durante tres segundos para establecer la temperatura deseada. Use el dial de control para cambiar el valor de la temperatura y presiónelo para confirmar el valor.



TEMPORIZADOR

Presione para ajustar el temporizador en minutos y horas. El controlador emitirá una alarma una vez que haya transcurrido el tiempo.

Para ajustar el temporizador, siga estos pasos:

1. Presione el botón. El número inferior de la pantalla parpadeará. Ajuste el valor de los minutos con el dial de control. Presione el dial de control para confirmar.
2. Ahora, el número superior de la pantalla parpadeará. Ajuste la hora con el dial de control. Presione el dial de control para confirmar y activar el temporizador.

Los símbolos “HR” (hora) y “MIN” (minutos) parpadearán, lo que indica que el temporizador está en funcionamiento. Presione el botón para verificar el tiempo restante. Mantenga presionado el botón durante 3 segundos para cancelar el temporizador.



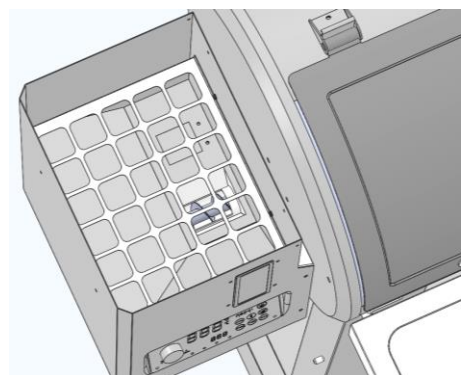
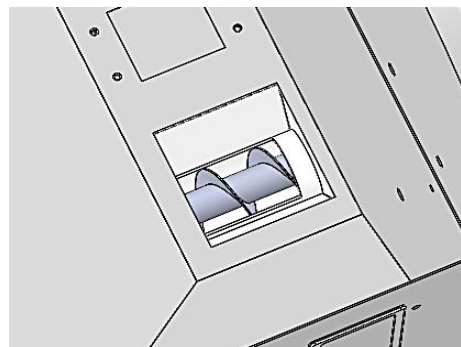
LLENADO

Presione para hacer funcionar la barrena durante 30 segundos antes o después de cocinar. Si se necesita más tiempo para cargar o vaciar los pellets del tubo de la barrena, presione de nuevo el botón cuando deje de parpadear. Manténgalo presionado durante 3 segundos para cancelar esta acción.

INSTRUCCIONES DE FUNCIONAMIENTO

ANTES DE USAR POR PRIMERA VEZ

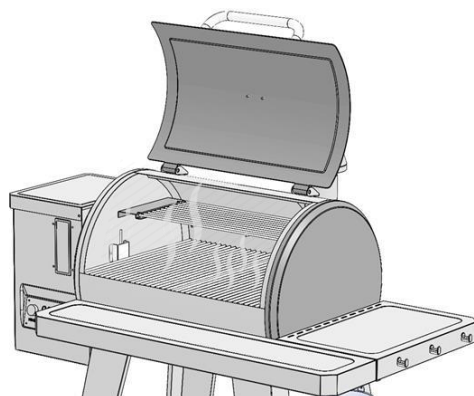
1. Retire todo el material de embalaje de la parrilla.
2. La barbacoa debe ser instalada en una base segura y nivelada antes de su uso.
3. Abra la parrilla para asegurarse de que el estante de calentamiento, las rejillas de cocción, el difusor y la bandeja para la grasa estén instalados de forma correcta.
4. Abra la tapa de la tolva y verifique que no haya objetos extraños que obstruyan la barrena.
5. Asegúrese de que el protector de seguridad de la tolva esté en su lugar y la puerta para la limpieza de los pellets esté cerrada y bloqueada.
6. Llene la tolva con los pellets que eligió hasta el nivel de combustible deseado y cierre la tapa de la tolva.
7. Asegúrese de que el cable de alimentación esté conectado a la parrilla antes de enchufar el otro extremo en un tomacorriente electrónico con conexión a tierra.
8. Encienda la parrilla presionando el botón de encendido del controlador.
9. Abra la tapa de la parrilla.
10. Prepare el tubo de la barrena presionando el botón PRIME (LLENADO), que activa la barrena durante 30 segundos. Repita este ciclo hasta que escuche caer los pellets en el recipiente para el fuego. Mantenga presionado el botón PRIME (LLENADO) durante 3 segundos para detener la acción.
11. Con el dial de control, ajuste la temperatura a 204 °C (400 °F) y presione el dial para confirmar.
12. Pulse PLAY/PAUSE (ACTIVAR/PAUSAR) para iniciar el proceso de encendido.
13. Una vez que la parrilla se haya encendido, cierre la tapa. Durante el encendido, es posible que salga una gran cantidad de humo de la parrilla.
14. Mientras controla la parrilla, déje la barbacoa calentar y mantener el combustible al rojo vivo durante al menos 30 minutos. Esto eliminará los aceites del proceso de fabricación y ayudará a curar la parrilla.
15. Una vez que haya finalizado el curado, presione el botón de encendido para comenzar el proceso de apagado automático.
16. Una vez que la parrilla se haya apagado y enfriado de forma correcta, desenchúfela de la fuente de alimentación.
17. Abra la tapa y limpie las rejillas de cocción y los estantes de calentamiento con un cepillo para parrilla o un raspador de madera.
18. Limpie en profundidad siguiendo las instrucciones de la sección "Instrucciones de cuidado y mantenimiento".
19. Una vez que haya limpiado la parrilla, asegúrese de volver a instalar todas las piezas de forma correcta antes de usarla.



CADA VEZ QUE UTILICE EL PRODUCTO

Siga estos pasos cada vez que utilice su parrilla de pellets Oakford:

1. Asegúrese de que la tolva esté llena con suficientes pellets. Consulte el indicador de combustible de pellets que se encuentra en la tolva para conocer la cantidad de pellets recomendada.
2. Limpie y elimine los restos de ceniza y grasa. Verifique si se acumuló creosota. Retire la grasa y la creosota acumuladas para reducir el riesgo de incendio.
3. Conecte siempre el cable de alimentación a un tomacorriente con conexión a tierra.
4. Abra la tapa de la parrilla mientras la enciende.
5. Utilice la aplicación Nexgrill para mejorar su experiencia con la parrilla.



INSTRUCCIONES DE FUNCIONAMIENTO

ENCENDIDO AUTOMÁTICO

Asegúrese de que la parrilla esté instalada de forma correcta y lista para usar.

1. Abra la tapa de la parrilla y verifique que todos los componentes estén en su lugar.
2. Asegúrese de que la tolva no contenga objetos extraños y que tenga suficientes pellets para una parrillada.
3. Asegúrese de que la barrena esté preparada y lista para usar. Si no es así, revise la función LLENADO para realizar una correcta configuración.
4. Enchufe el cable de alimentación en un tomacorriente con conexión a tierra y presione el botón POWER (ENCENDIDO).
5. Presione PLAY/PAUSE (ACTIVAR/PAUSAR), o introduzca primero el modo de cocción y la temperatura deseados. Si no se introduce nada, la parrilla se iniciará con una temperatura deseada predeterminada de 182 °C (360 °F). Transcurridos 5 minutos, debería verse humo. Si no es así, apague el controlador y espere 5 minutos antes de repetir la operación.
6. Una vez que la parrilla se haya encendido, cierre la tapa. Si no lo hizo antes, establezca el modo de cocción y la temperatura deseados.
7. Antes de comenzar a cocinar, verifique que el combustible está recubierto de cenizas.

ENCENDIDO MANUAL

Asegúrese de que la parrilla esté instalada de forma correcta y lista para usar.

1. Abra la tapa de la parrilla y retire las rejillas, la bandeja para grasa y el difusor.
2. Asegúrese de que la tolva no contenga objetos extraños y que tenga suficientes pellets para una parrillada.
3. Verifique que el recipiente para el fuego esté limpio y no contenga objetos extraños.
4. Enchufe el cable de alimentación en un tomacorriente con una correcta conexión a tierra.
5. La barrena debe estar llena y lista para usar. Si no es así, revise la función LLENADO para realizar una correcta configuración.
6. Agregue un puñado de pellets para parrilladas al recipiente para el fuego.
7. Agregue un iniciador de fuego de madera natural o gel al recipiente para el fuego.
8. Con una cerilla larga o un mechero, encienda el iniciador del fuego.
9. Después de que los pellets se quemen bien, vuelva a colocar el difusor, la bandeja para grasa y las rejillas.
10. Presione el botón POWER (ENCENDIDO).
11. Presione PLAY/PAUSE (ACTIVAR/PAUSAR). Verifique que se hayan agregado más pellets y que se estén quemando de forma adecuada.
12. Una vez que la parrilla se haya encendido, cierre la tapa.
13. Si no lo hizo antes, establezca el modo de cocción y la temperatura deseados.

¡ATENCIÓN! ¡No use alcohol o gasolina para encender o avivar el fuego! Utilice únicamente los combustibles de encendido conformes a la Norma EN 1860-3.

CÓMO APAGAR LA PARRILLA

Cuando termine de cocinar, su OAKFORD debe apagarse de forma adecuada para eliminar las cenizas y los pellets restantes del recipiente de fuego. Siga este procedimiento para apagar correctamente su parrilla después de cada uso.

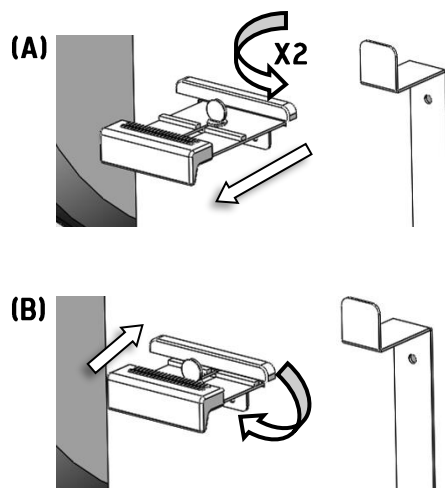
1. Abra la tapa y retire todas las sondas de carne y los alimentos.
2. Con la tapa todavía abierta, presione el botón Power (Encendido) para comenzar el proceso de apagado automático. Durante este proceso, el ventilador continuará funcionando hasta que la temperatura de la parrilla caiga por debajo de los 54 °C (130 °F), al menos durante 15 minutos, para facilitar el proceso de quemado. No desenchufe la parrilla hasta que el ventilador haya completado este proceso y se haya apagado.
3. Desenchufe la parrilla de la fuente de alimentación.
4. Espere a que la parrilla se haya enfriado antes de guardarla para su próxima comida al aire libre.

INSTRUCCIONES DE FUNCIONAMIENTO

CÓMO CAMBIAR LOS PELLETS

Cuando quiera cambiar el aroma de los pellets para su próxima reunión o purgar la tolva para un mantenimiento minucioso, siga las instrucciones a continuación:

1. Localice la abertura en la parte inferior de la tolva de pellets y coloque un recipiente grande por debajo.
2. Desde la parte posterior de la parrilla OAKFORD, afloje el tornillo de bloqueo de la puerta para la limpieza de los pellets con dos vueltas completas en sentido antihorario (A).
3. Tire de la puerta para la limpieza de los pellets para que los pellets pasen al recipiente.
4. Cuando la tolva esté vacía, vuelva a empujar la puerta para la limpieza de los pellets y bloquéela girando el tornillo de bloqueo en sentido horario (B).
5. Conecte la parrilla a un tomacorriente con conexión a tierra y presione el botón POWER (ENCENDIDO).
6. Presione PRIME (LLENADO) para que la barrena lleve los pellets del tornillo de la barrena hacia el recipiente para el fuego. Repita esto hasta que se vacíe la barrena.
7. Con una aspiradora, retire los pellets y la ceniza del recipiente para el fuego.



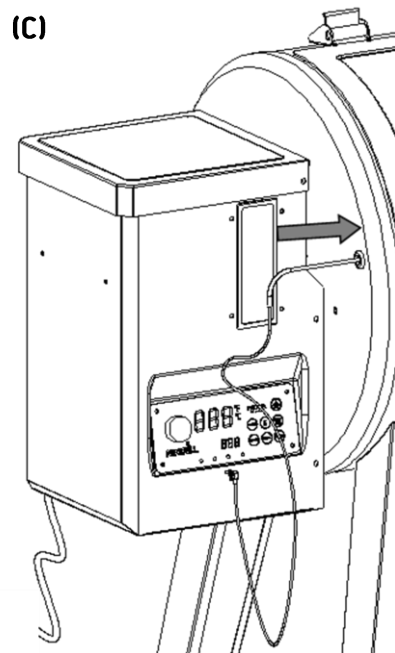
ADVERTENCIA: Inspeccione la protección de seguridad para los dedos que tiene la tolva de forma visual para garantizar que esté en su lugar y no esté dañada, antes de llenar la tolva con los pellets de su elección. NO cambie los pellets cuando la parrilla esté caliente.

CÓMO USAR LAS SONDAS DE TEMPERATURA

Utilice la sonda de carne suministrada para controlar su parrilla de pellets OAKFORD siguiendo estos pasos:

1. Enchufe la sonda para carne en el puerto de la parte inferior del controlador*, y luego pase la sonda por el orificio de apertura en el lado izquierdo de la cámara de cocción (C). Asegúrese de llevar guantes de protección térmica.
2. Introduzca la sonda de temperatura en la parte más gruesa de la carne de su elección.
3. Coloque la comida en la rejilla de cocción y cierre la tapa de la parrilla.
4. Consulte la página de Funciones del controlador para ver las instrucciones y establecer la temperatura deseada de la sonda.

***FUNCIÓN DE CALENTAMIENTO AUTOMÁTICO:** Con la sonda de carne conectada al puerto P1, establezca la temperatura deseada para los alimentos y active la función de calentamiento automático. De forma automática, esta característica reducirá la temperatura establecida de la parrilla a 82 °C (180 °F) y se visualizará el ícono de CALENTAR después de que la temperatura de la sonda alcance la temperatura deseada. La parrilla se mantendrá en el ajuste CALIENTE (durante un máximo de 10 minutos) mientras espera la siguiente entrada del usuario. De este modo, se evita que los alimentos se cocinen en exceso si el usuario no está presente cuando se ha alcanzado la temperatura establecida de la sonda de carne. Para evitar esta función de calentamiento automático, utilice en su lugar los puertos P2 a P4. También puede desactivar esta función a través de la aplicación "NEX-Fi"



INSTRUCCIONES DE CUIDADO Y MANTENIMIENTO



¡PRECAUCIÓN!

ASEGÚRESE DE QUE LA PARRILLA SE HAYA ENFRIADO Y DESENCHÚFELA DE LA FUENTE DE ALIMENTACIÓN ANTES DE REALIZAR CUALQUIER TAREA DE LIMPIEZA O MANTENIMIENTO.

INTERIOR

REJILLAS DE COCCIÓN

- Después de que la parrilla se haya enfriado, frote ambos lados de las rejillas de cocción con un cepillo de alambre para parrillas.
- Cualquier residuo persistente de comida cocida puede eliminarse con un raspador.
- Las rejillas también pueden retirarse de la parrilla y lavarse con lavavajilla y agua tibia. Séquelas bien.
- Las rejillas de cocción deben limpiarse después de cada uso.

SISTEMA PARA GRASA

- Retire las rejillas de cocción y raspe los restos de comida y grasa de la bandeja para grasa con un raspador o un cepillo para parrilla.
- La bandeja para grasa también puede retirarse de la parrilla y lavarse con lavavajilla y agua tibia. Séquelas bien.
- El recipiente para grasa se puede recubrir con un revestimiento para facilitar la limpieza.
- La bandeja para grasa debe limpiarse después de cada uso. El recipiente para grasa debe vaciarse una vez que llegue a $\frac{3}{4}$ de su capacidad.

SUPERFICIES INTERIORES

- Cepille o raspe la grasa o los restos que se acumulan en las superficies interiores con un raspador o un cepillo para parrilla.
- Aspire la ceniza y los restos de comida del fondo de la cámara de combustión y del recipiente para el fuego.
- Todas las superficies se pueden lavar con agua tibia con jabón o un desengrasante suave. Séquelas bien.
- Las superficies interiores deben controlarse y limpiarse cuando se hayan acumulado grasa y residuos, pero no menos de dos veces al año.

EXTERIOR

SUPERFICIES RECUBIERTAS Y DE PLÁSTICO

- Después de que la parrilla se haya enfriado por completo, las superficies exteriores pueden limpiarse con una mezcla suave de agua y jabón. Séquelas bien.
- No utilice limpiadores abrasivos.

ACERO INOXIDABLE (CORRESPONDE A ALGUNOS MODELOS)

- Utilice un limpiador para acero inoxidable y un paño no abrasivo y sin pelusas para limpiar los componentes de acero inoxidable.
- Frote siempre en el sentido de la fibra para evitar arañazos y no utilice toallas de papel.

NO ROCÍE LA PARRILLA CON UNA MANGUERA DE JARDÍN O UNA LAVADORA ELÉCTRICA PARA EVITAR DAÑOS EN LOS COMPONENTES ELÉCTRICOS.

ALMACENAMIENTO

- Entre un uso y otro, guarde siempre la parrilla con una cubierta para evitar la corrosión u otros daños, en especial si se almacena en un ambiente lluvioso o húmedo.
- No almacene la parrilla con la tolva o la barrena llenas de pellets, en particular en condiciones húmedas o mojadas. La humedad expandirá los pellets y puede provocar un atasco en la barrena. Utilice la puerta de liberación rápida de pellets que se encuentra en la parte posterior de la tolva para vaciar los pellets sobrantes en un recipiente y quemar los pellets que queden en la barrena antes de guardarlos.
- Guarde los pellets de madera sobrantes en un recipiente hermético, lejos de los aparatos que producen calor, de la humedad y de otros recipientes de combustible. Antes de utilizarlos, verifique la frescura de los pellets partiendo uno por la mitad. El pellet debe romperse con un chasquido. Si se desmenuza, significa que el pellet no está fresco y afectará al rendimiento de la parrilla.



- **Creosota:** Formación y necesidad de eliminación. Cuando los pellets de madera se queman lentamente, producen alquitrán y otros vapores orgánicos que se combinan con la humedad expulsada y forman creosota. Los vapores de la creosota se condensan en un conducto de humo del horno relativamente frío y en la campana extractora con un fuego lento. Como resultado, los residuos de la creosota se acumulan en el revestimiento del conducto de humo y la campana. Cuando se enciende, esta creosota produce un fuego extremadamente caliente.
- El conducto de la grasa debe inspeccionarse al menos dos veces al año para determinar si se ha producido una acumulación de grasa o creosota.
- Si se ha acumulado grasa o creosota, deben eliminarse para reducir el riesgo de incendio.

CÓDIGOS DE ERROR

En raras ocasiones, el controlador puede detectar un problema y es posible que se visualice un código de error en el controlador. Consulte la siguiente tabla para ver las descripciones y soluciones:

CÓDIGO DE ERROR	DESCRIPCIÓN DEL ERROR	SOLUCIÓN
ER1	Fallo del sensor del termopar de la cámara de combustión	Este error se producirá cuando el termopar haya perdido la conexión con el controlador debido a que hay un cable suelto o a un fallo del termopar, lo que requerirá un reemplazo.
ER2	Fallo en el encendido	Este error se producirá cuando la parrilla no detecte un aumento de la temperatura dentro de los 15 minutos posteriores al ajuste de la temperatura, lo que indicará un fallo en el encendido. La temperatura ambiente, la obstrucción del tubo de la barrena, la falta de pellets, la acumulación de cenizas, etc. pueden afectar al encendido. Examine el sistema de alimentación de pellets y reinicie la parrilla.
ER3	Fallo del límite de temperatura alta	Este error se producirá cuando la temperatura de la parrilla supere los 357 °C (675 °F). Deje que la parrilla se enfríe y apáguela. Reinicie la parrilla después de limpiar los pellets restantes de la cámara de combustión.
ER4	Fallo del límite de temperatura baja	Si la temperatura de la parrilla cae demasiado por debajo de la temperatura establecida, aparecerá este código. Esto puede suceder cuando se cocina con la tapa abierta. En ese caso, el usuario puede borrar el código de error presionando el dial de control. Si no está cocinando con la tapa abierta, puede indicar que el encendedor se ha apagado. En ese caso, el usuario debe apagar la parrilla y vaciar el recipiente de combustión antes de reiniciarla.
ER5	Fallo en la comunicación con la sonda	Este error se producirá si una sonda de temperatura conectada al puerto P1 que tiene una temperatura deseada establecida pierde la conexión. Compruebe que la sonda de carne esté conectada al controlador de forma correcta. Si el problema persiste, deberá reemplazar la sonda.
ER9	Fallo en la comunicación con la red	Si el controlador estaba previamente conectado a la red wifi, este error indica que no funciona Internet o que la conexión a la red wifi se ha interrumpido. Reinicie la parrilla; asegúrese de que el lugar donde esté la parrilla tenga una fuerte señal wifi.

NOTA: Para descartar un código de error, presione el dial de control.

LLÁMENOS

Para obtener ayuda o piezas de repuesto, llame a nuestro departamento de servicio de atención al cliente al
1-800-913-8999,
 de 8 a. m. a 5 p. m.,
 de lunes a viernes.



IMPORTANTE:

Utilice solo piezas autorizadas por la fábrica. El uso de cualquier pieza que no esté autorizada por la fábrica puede ser peligroso y anulará la garantía.

SOLUCIÓN DE PROBLEMAS

PREGUNTAS FRECUENTES

PREGUNTA	RESPUESTA
¿Qué hago si la barrena se atasca?	<ol style="list-style-type: none"> Desenchufe la parrilla y espere que se enfríe. Si el atasco no se puede desprender de la abertura de la tolva de pellets, puede ser necesario desmontar la barrena y el motor. Comuníquese con el servicio de atención al cliente para que lo ayuden a desmontar la barrena para eliminar el atasco.
¿Por qué varía la temperatura de la parrilla de pellets?	Las variaciones de temperatura son normales. Cualquier variación importante podría ser el resultado del viento y la temperatura ambiente, la cantidad de pellets o la falta de mantenimiento. Evite utilizar la parrilla de pellets cuando haya viento o llueva en el exterior.
¿Por qué el fuego no permanece encendido?	El exceso de cenizas en el recipiente de combustión puede causar esto al cubrir el encendedor y evitar que se quemen los pellets. Desenchufe la parrilla y espere que se enfríe, luego retire las rejillas de cocción, la bandeja para grasa y el difusor de calor. Retire los pellets y la ceniza del recipiente de combustión. Para eliminar las cenizas del recipiente de combustión, lo ideal es una aspiradora con un accesorio de manguera.
¿Por qué la parrilla no calienta a la temperatura establecida?	Por lo general, esto se debe a que el recipiente de combustión no recibe suficiente oxígeno para alcanzar la temperatura deseada. Inspeccione el recipiente de combustión y asegúrese de que no contenga demasiadas cenizas. Verifique la tolva y agregue más pellets si es necesario. Sustitúyalos si están húmedos. También debe verificar el ventilador para asegurarse de que funcione.
¿Cómo puedo evitar las llamaradas?	Si está cocinando alimentos con gran contenido de grasa, mantenga la temperatura en 177 °C (350 °F) o menos para evitar las llamaradas.

CÓMO PEDIR PIEZAS DE REPUESTO

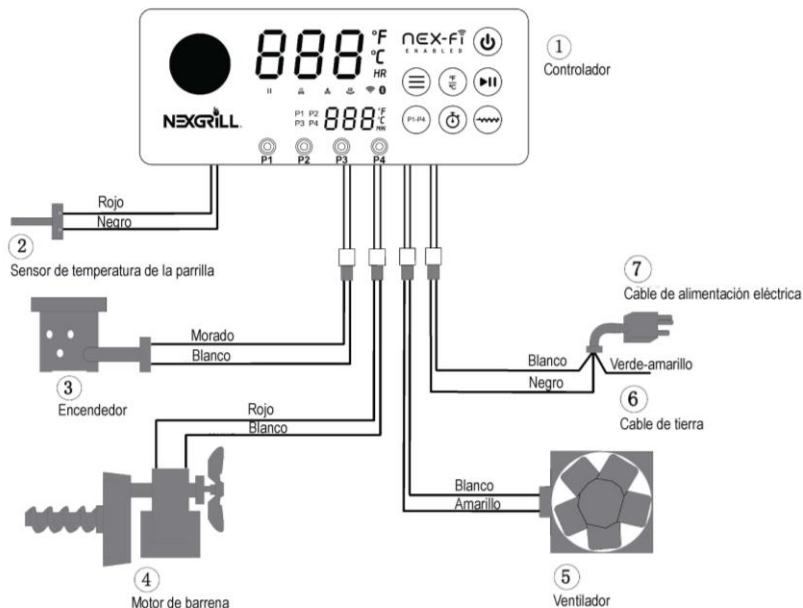
Para asegurarse de obtener las piezas de repuesto correctas para la parrilla, consulte la lista de piezas de repuesto. Conserve este manual de instrucciones de montaje y funcionamiento para poder consultarlo según lo necesite y para pedir piezas de repuesto.

LA SIGUIENTE INFORMACIÓN ES NECESARIA PARA GARANTIZAR QUE SE PIDA LA PIEZA CORRECTA:

- Número de modelo de la parrilla de pellets Oakford™
- Número de serie
- Número de pieza
- Descripción
- Cantidad

PARA OBTENER PIEZAS DE REPUESTO, COMUNÍQUESE CON NUESTRA LÍNEA DIRECTA DEL SERVICIO DE ATENCIÓN AL CLIENTE: 1-800-913-8999 en Estados Unidos, de 8 a. m. a 5 p. m., hora del Pacífico, de lunes a viernes.

DIAGRAMA DEL CIRCUITO ELÉCTRICO



GARANTÍA LIMITADA

El fabricante garantiza al consumidor-comprador original **ÚNICAMENTE** que este producto (*modelo n.º 910-05001*) no tendrá defectos de mano de obra y materiales luego del correcto montaje y con un uso doméstico normal y razonable por los períodos que se indican a continuación, a partir de la fecha de compra. El fabricante se reserva el derecho de exigir pruebas fotográficas de los daños, o que las piezas defectuosas sean devueltas, con los gastos de envío pagados previamente por el consumidor, para su revisión y examen. La obligación de Nexgrill se limita a la reparación, sustitución o valor depreciado, a elección de Nexgrill.

Todos los modelos de parrillas de pellets	GARANTÍAS
Cámara de combustión y todos los componentes que no están cubiertos a continuación	5 años
Componentes eléctricos	3 años
Rejillas de cocción	3 años

Una vez que el consumidor suministre la prueba de compra según lo dispuesto en el presente documento, el fabricante reparará o reemplazará las piezas cuyos defectos se comprueben durante el período de garantía aplicable. Las piezas necesarias para completar tal reparación o sustitución serán gratuitas para usted, excepto los gastos de envío, siempre que el comprador esté dentro del período de garantía a partir de la fecha original de compra. El consumidor-comprador original será responsable de los gastos de envío de las piezas reemplazadas según los términos de esta garantía limitada. Esta garantía limitada rige únicamente en los Estados Unidos y Canadá, solo está disponible para el propietario original del producto y no es transferible. El fabricante requiere una prueba razonable de la fecha de compra. En consecuencia, usted debe conservar el recibo de compra o la factura. Si recibió la unidad a modo de regalo, pídala a la persona que le regaló el producto que envíe el recibo a su nombre a la dirección que se indica. Las piezas defectuosas o faltantes sujetas a esta garantía limitada no serán reemplazadas sin el registro o la prueba de compra. Esta garantía limitada se aplica SOLO a la funcionalidad del producto y no cubre problemas estéticos como arañazos, abolladuras, corrosión o decoloración por calor, limpiadores abrasivos y sustancias químicas o cualquier herramienta utilizada en el montaje o la instalación del artefacto, óxido superficial o decoloración de las superficies de acero inoxidable. El óxido superficial, la corrosión o la pintura en polvo saltada en las partes metálicas que no afecten la integridad estructural del producto no se consideran un defecto de mano de obra o de los materiales y no serán cubiertos por esta garantía. Esta garantía limitada no le reembolsará el costo de cualquier inconveniente, alimento, lesión personal o daño material. Si no se dispone de una pieza de repuesto original, se enviará una pieza de repuesto similar. Usted será responsable de pagar los gastos de envío de las piezas que se reemplacen según los términos de esta garantía limitada.

EL FABRICANTE NO PAGARÁ LO SIGUIENTE:

- Las llamadas de servicio a su casa.
- Las reparaciones cuando el uso del producto no sea el habitual de una residencia o un hogar unifamiliar.
- Los daños como consecuencia de accidentes, alteraciones, uso indebido, falta de mantenimiento o limpieza, abuso, incendio, inundación, casos fortuitos, instalación inadecuada e instalación no conforme a los códigos eléctricos o de plomería, o el uso indebido del producto.
- Cualquier pérdida de alimentos debida a fallos del producto.
- Los costos de las piezas de repuesto o de la mano de obra de reparación de las unidades que se utilicen fuera de los Estados Unidos o Canadá.
- La recolección y entrega de su producto.
- Los gastos de envío o de procesamiento de las fotos que se envíen como documentación.
- Las reparaciones de piezas o sistemas que sean consecuencia de modificaciones no autorizadas en el producto.
- El retiro o la reinstalación de su producto.
- El costo de envío, estándar o acelerado, de las piezas de garantía/no garantía y de reemplazo.

EXENCIÓN DE RESPONSABILIDAD DE GARANTÍAS IMPLÍCITAS; LIMITACIÓN DE SOLUCIONES

La reparación o el reemplazo de las piezas defectuosas es su única solución según los términos de esta garantía limitada. El fabricante no será responsable de ningún daño emergente o incidental que surja del incumplimiento de esta garantía limitada o de cualquier garantía implícita aplicable, ni de los fallos o daños que se produzcan como consecuencia de casos fortuitos, cuidado y mantenimiento inadecuados, incendio por grasa, accidente, alteración, sustitución de piezas por parte de alguien que no sea el fabricante, uso indebido, transporte, uso comercial, abuso, entornos hostiles (inclemencias del tiempo, actos de la naturaleza, manipulación de animales), instalación inadecuada o instalación que no cumpla con los códigos locales o las instrucciones impresas del fabricante.

ESTA GARANTÍA LIMITADA ES LA ÚNICA GARANTÍA EXPRESA OTORGADA POR EL FABRICANTE. NINGUNA ESPECIFICACIÓN O DESCRIPCIÓN DEL DESEMPEÑO DEL PRODUCTO QUE APAREZCA ESTÁ GARANTIZADA POR EL FABRICANTE, EXCEPTO EN LA MEDIDA ESTABLECIDA EN ESTA GARANTÍA LIMITADA. CUALQUIER PROTECCIÓN IMPLÍCITA DE LA GARANTÍA QUE SURJA SEGÚN LAS LEYES DE CUALQUIER ESTADO, INCLUIDA LA GARANTÍA IMPLÍCITA DE COMERCIALIZACIÓN O ADECUACIÓN A UN PROPÓSITO O USO PARTICULAR, QUEDA LIMITADA AL PLAZO DE VIGENCIA DE ESTA GARANTÍA LIMITADA.

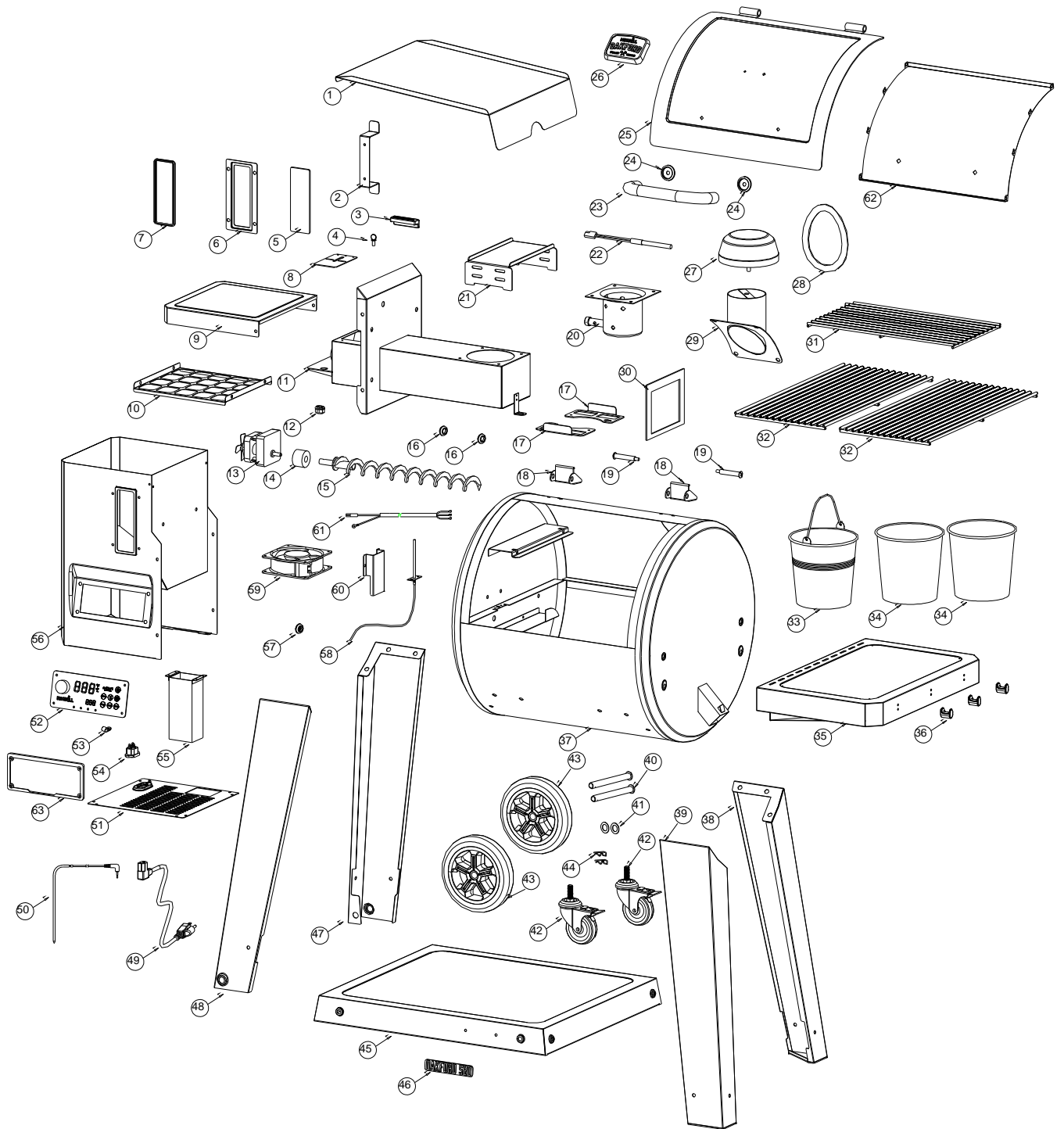
Ni los distribuidores ni el establecimiento de venta de este producto están autorizados a ofrecer garantías adicionales o a prometer soluciones adicionales o incompatibles con las indicadas anteriormente. La responsabilidad máxima del fabricante, en cualquier caso, no superará el precio de compra documentado del producto que pagó el consumidor original. Esta garantía solo se aplica a las unidades compradas a un minorista o revendedor autorizado. NOTA: Algunos estados no permiten la exclusión o limitación de daños incidentales o emergentes, por lo que las limitaciones o exclusiones anteriores pueden no aplicarse a su caso; esta garantía limitada le otorga derechos legales específicos según se establece en el presente documento. También puede tener otros derechos que varían de un estado a otro.

Si desea lograr el cumplimiento de cualquier obligación según esta garantía limitada, debe escribir a la siguiente dirección:

**Nexgrill Customer Relations
14050 Laurelwood Pl
Chino, CA 91710**

Todas las devoluciones de los consumidores, los pedidos de piezas, las preguntas generales y la asistencia para la resolución de problemas pueden concretarse llamando al 1-800-913-8999 en Estados Unidos y al 1-800-648-5864 en Canadá. Se ofrece atención en inglés, francés y español, de 8 a. m. a 5 p. m., hora del Pacífico, de lunes a viernes.

PIEZAS DE REPUESTO



PIEZAS DE REPUESTO

N.º	PIEZA (DESCRIPCIÓN)	COBERTURA DE LA GARANTÍA	CANT.	N.º	PIEZA (DESCRIPCIÓN)	COBERTURA DE LA GARANTÍA	CANT.
1	Bandeja para grasa	5	1	23	Manija de la tapa	5	1
2	Soporte del cable de alimentación	5	1	24	Luneta de la manija de la tapa	5	2
3	Manija de la placa para el conducto de caída	5	1	25	Tapa principal	5	1
4	Tornillo de la placa para el conducto de caída	5	1	26	Placa de identificación (en la tapa)	5	1
5	Ventana de vidrio	5	1	27	Casquete de la chimenea	5	1
6	Soporte de la ventana de vidrio	5	1	28	Junta de la chimenea	5	1
7	Armazón de la junta	5	1	29	Chimenea	5	1
8	Placa del conducto de caída	5	1	30	Junta de la carcasa de la tolva	5	1
9	Tapa de la tolva	5	1	31	Estante de calentamiento	3	1
10	Pantalla de seguridad de la tolva	5	1	32	Rejilla de cocción	3	2
11	Carcasa de la caja de la barrena	5	1	33	Cubo para grasa	5	1
12	Sujeción del cable de alimentación	5	1	34	Recubrimiento del cubo para grasa	5	2
13	Motor de la barrena	3	1	35	Estante lateral	5	1
14	Cepillo de nailon	5	1	36	Gancho	5	3
15	Barrena	3	1	37	Cámara de combustión	5	1
16	Anillo de silicona A (para el orificio del cable del alambre/varilla de encendido del motor)	5	2	38	Pata del carro posterior derecha	5	1
17	Soporte del difusor de calor	5	2	39	Pata del carro delantera derecha	5	1
18	Bisagra de la tapa	5	2	40	Eje de la rueda	5	2
19	Pasador de la tapa	5	2	41	Arandela de la rueda	5	2
20	Recipiente de combustión	5	1	42	Rueda de bloqueo	5	2
21	Difusor de calor	5	1	43	Rueda de 7 in	5	2
22	Varilla de encendido	5	1	44	Pasador de la rueda	5	2

PIEZAS DE REPUESTO

N.º	PIEZA (DESCRIPCIÓN)	COBERTURA DE LA GARANTÍA	CANT.	N.º	PIEZA (DESCRIPCIÓN)	COBERTURA DE LA GARANTÍA	CANT.
45	Panel inferior	5	1	55	Tubo de limpieza para pellets	5	1
46	Placa de identificación (en el panel inferior)	5	1	56	Tolva	5	1
47	Pata del carro posterior izquierda	5	1	57	Anillo de silicona B (para el orificio de la sonda para carne)	5	1
48	Pata del carro delantera izquierda	5	1	58	RTD (detector de temperatura por resistencia)	3	1
49	Cable de alimentación	3	1	59	Ventilador	3	1
50	Sonda para carne	3	1	60	Cubierta del RTD	5	1
51	Panel inferior de la tolva	5	1	61	Cable del controlador	5	1
52	Controlador	3	1	62	Escudo térmico de la tapa	5	1
53	Clip para el cable	5	1	63	Fascia del controlador	5	1
54	Adaptador macho	5	1				

VIGTIG SIKKERHEDSINFORMATION

ADVARSEL! Følg disse retningslinjer for at forhindre denne farveløse, lugtfri gas i at forgifte dig, din familie eller andre:

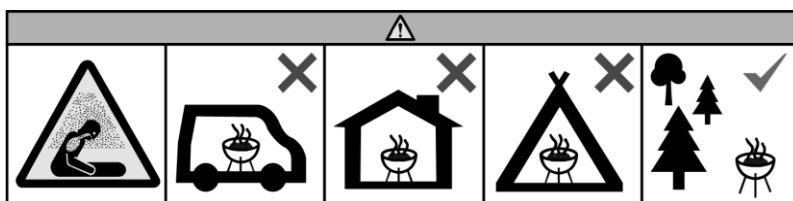
- Kend symptomerne på kulilteforgiftning: hovedpine, svimmelhed, svaghed, kvalme, opkastning, søvnighed og forvirring. Kulilte reducerer blodets evne til at transportere ilt. Lavt iltniveau i blodet kan resultere i tab af bevidsthed og død.
- Søg læge, hvis du og andre udvikler forkølelses- eller influenzalignende symptomer under madlavning eller i nærheden af dette apparat. Kulilteforgiftning, som let kan forveksles med forkølelse eller influenza, opdages ofte for sent.
- Alkoholforbrug og brug af euforiserende stoffer øger virkningerne af kulilteforgiftning.

Kulilte er især giftigt for mor og barn under graviditet, spædbørn, ældre, rygere og personer med problemer med blod eller kredsløb, såsom anæmi eller hjertesygdomme.



Spørgsmål, problemer, manglende dele?

Inden du returnerer den til din forhandler, skal du ringe til vores kundeserviceafdeling på 1-800-913-8999 i USA og 1-800-648-5864 i Canada, talte sprog: Engelsk, fransk, spansk 8.00-17.00, PST. Mandag-fredag. CustomerService@GrillServices.com



ADVARSEL! Brug ikke grillen i et begrænset og/eller beboet rum, f.eks. huse, telte, campingvogne, autocampere, både. Fare for dødsfald ved kulilteforgiftning.

ADVARSEL! Hvis der opstår brand:

- Hold dig væk fra apparatet og ring straks til det lokale brandvæsen.
- Forsøg ikke at flytte apparatet, kvæle ilden eller hælde vand på ilden
- Hold apparatet rent – se pleje- og vedligeholdelsesinstruktionerne.

ADVARSEL! Brug aldrig benzin, lanterne-brændstof af benzintypen, petroleum, kultændvæske eller lignende væsker til at starte eller 'opfriske' en ild i dette apparat. Hold alle sådanne væsker langt væk fra apparatet, når det er i brug.

ADVARSEL! Denne grill bliver meget varm, flyt den ikke under drift.

EN VÆSENTLIG ÅRSAG TIL BRAND ER MANGLENDE OVERHOLDELSE AF NØDVENDIGE FRIRUM (LUFTRUM) TIL BRÆNDBARE MATERIALER. DET ER EKSTREMT VIGTIGT, AT DETTE PRODUKT KUN INSTALLERES I OVERENSSTEMMELSE MED DISSE INSTRUKTIONER.

ADVARSEL!

- Brug ikke piller til opvarmningsformål. Brug kun piller af 100% naturligt træ, der er beregnet til brug på pillegrill.
- Vi anbefaler at bruge piller med følgende specifikationer: 8.000-8.500 BTU/LB med askeindhold mindre end 1%.
- Brug ikke pillebrændstof, der er mærket med tilsætningsstoffer.
- Læg aldrig træspåner eller træstumper i beholderen.
- Brug kun tørre piller. Hvis grillen blev opbevaret med fyldt beholder, skal du kontrollere pillerne for at sikre, at de er helt tørre før brug. Hårdtræpiller kan absorbere fugt i våde eller fugtige omgivelser, hvilket får dem til at udvide sig og muligvis hindre eller blokere sneglesystemet.
- Lad aldrig beholderen tømmes, mens grillen er i drift. Sørg for at fylde pillebeholderen med nok piller før brug, eller fyld pillebeholderen igen efter behov.

CALIFORNIA PROPOSTION 65

KUN BEBOERE I CALIFORNIEN:



WARNING! This product can expose you to chemicals including wood dust and soot, which are known to the state of California to cause cancer.



WARNING! This product can expose you to chemicals including carbon monoxide, which is known to the state of California to cause birth defects or other reproductive harm.

For more information, go to: www.P65Warnings.ca.gov.

SIKRE PRAKSISSE FOR AT UNDGÅ SKADER

Når den vedligeholdes korrekt, vil din grill yde sikker og pålidelig service i mange år. Dog skal der udvises ekstrem forsigtighed, da grillen producerer intens varme der kan forårsage skade, hvis den bruges forkert. Når du bruger dette apparat, skal grundlæggende sikkerhedspraksis følges, herunder følgende:

- Reparer eller udskift ikke nogen del af grillen, medmindre det specifikt anbefales i denne vejledning. Al anden service bør henvises til en kvalificeret tekniker.
- Dette udendørs madlavnings-apparat er ikke beregnet til at blive installeret i eller på både og andre fritidskøretøjer.
- Brug ikke denne grill under nogen overliggende brændbar konstruktion, inklusive lofter eller udhæng.
- **ADVARSEL!** Hold børn og kæledyr væk. Børn bør ikke efterlades alene eller uden opsyn i et område, hvor grillen bruges. Lad dem ikke sidde, stå eller lege i eller omkring grillen på noget tidspunkt.
- Dette apparat kan bruges af børn fra 8 år og derover og personer med nedsatte fysiske, sensoriske eller mentale evner eller mangel på erfaring og viden, hvis det sker under opsyn, eller de har fået instruktion i brugen af apparatet på en sikker måde og forstår de involverede farer. Børn må ikke lege med apparatet. Rengøring og brugervedligeholdelse må ikke udføres af børn uden opsyn.
- Hvis forsyningsledningen er beskadiget, skal den udskiftes med en speciel ledning eller enhed, der fås hos producenten eller dennes serviceagent.
- Opbevar ikke ting af interesse for børn omkring eller under grillen.
- For personlig sikkerhed skal du bære passende tøj. Løstsiddende beklædningsgenstande eller ærmer bør aldrig bæres, mens du bruger dette apparat. Nogle syntetiske stoffer er meget brandfarlige og **bør ikke** bæres under madlavning.
- Brug altid varmebestandige handsker eller luffer, når du håndterer særligt varme komponenter.
- Når du bruger grillen, må du ikke røre ved opvarmningsristen, brænderristen eller de umiddelbare omgivelser, da disse områder bliver ekstremt varme og kan forårsage forbrændinger. Brug kun tørre grydelapper. Våde eller fugtige grydelapper på varme overflader kan forårsage dampforbrændinger. Brug ikke et håndklæde, tykke klude eller grydelapper på stedet. Lad ikke grydelapper røre ved varme dele af grillristen.
- Kun visse typer glas, varmefast glaskeramik, lertøj eller andre glaserede redskaber er egnede til grillbrug. Disse materialer kan gå i stykker ved pludselige temperaturændringer. Brug kun ved lave eller mellem varmeindstillinger i overensstemmelse med producentens retningslinjer.
- Opvarm ikke uåbnede madbeholdere. En opbygning af tryk kan få beholderne til at bryde.
- Læn dig aldrig over en åben grill.
- Fedt er brandfarligt. Lad varmt fedt afkøle, før du forsøger at håndtere det. Rengør ofte fedtbakken og fedtspanden for at undgå ophobning.
- Brug ikke vand til at kontrollere oplussede flammer eller til at slukke ilden. Sluk for grillen, tag netledningen ud, og vent på, at grillen er kølet af.
- Sørg altid for, at fedtsystemet er korrekt installeret, mens du betjener denne grill. Arbejd aldrig uden en fedtspand på plads under sidehylden.

SIKRE PRAKSISSE FOR AT UNDGÅ SKADER

- Bortskaf aske, efter at grillen er helt afkølet efter en korrekt nedlukning. Vent, indtil fedt og aske er helt afkølet, før det bortskaffes.
- Vent, indtil brændstoffet er slukket, og grillen er helt afkølet, før du flytter, tildækker eller opbevarer grillen.
- Brug ikke aluminiumsfolie til at beklæde grillristene eller grillbunden. Dette kan alvorligt forstyrre forbrændingsluftstrømmen eller fange overdreven varme i kontrolområdet.
- Rengør grillen med forsigtighed. For at undgå dampforbrændinger må du ikke bruge en våd svamp eller klud til at rengøre grillen, mens den er varm. Nogle rengøringsmidler producerer giftige dampe eller kan antændes, hvis de påføres en varm overflade.
- Sluk grillknapperne og sørg for, at grillen er kølig, før du bruger nogen form for aerosolrens på eller omkring grillen. Kemikaliet, der frembringer sprøjteeffekten, kan i nærvær af varme antænde eller få metaldele til at korrodere.
- Hold området omkring grillen frit for brændbare materialer, herunder væsker, affald og dampe såsom benzin eller kultændevæske. Bloker ikke strømmen af forbrændings- og ventilationsluft.
- For at reducere risikoen for brand, fjern gryder og pander, mens apparatet er uden opsyn.
- Brug ikke tilbehør, der ikke er specificeret til dette apparat.
- Brugen af alkohol, receptpligtig eller ikke-receptpligtig medicin kan forringe forbrugerens evne til korrekt at samle eller sikkert betjene apparatet.
- Bortskaffelse af aske – Aske skal placeres i en metalbeholder med tætsluttende låg. Den lukkede beholder med aske skal placeres på et ikke-brændbart gulv eller på jorden, langt væk fra alle brændbare materialer, indtil den bliver endeligt bortskaffet. Når asken bortskaffes ved nedgravning i jord eller på anden måde spredes lokalt, skal den opbevares i den lukkede beholder, indtil al asken er grundigt afkølet.

ADVARSEL: ELEKTRISKE KOMPONENTER



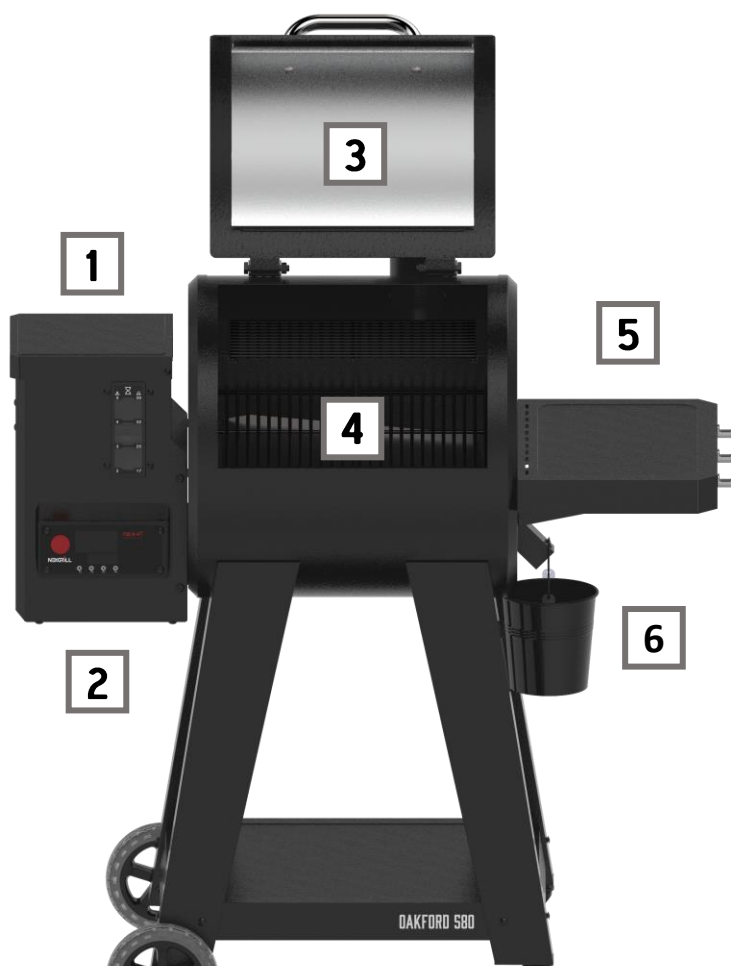
- Afbryd strømmen før servicering. Forsøg ikke at rengøre eller reparere grillen, mens den er tilsluttet en strømkilde.
- Den eksterne elektriske strømkilde, der bruges til dette apparat, skal være elektrisk jordet i overensstemmelse med lokale regler.
- Kontroller stikkontakten før brug. Tilslut ikke grillen, hvis den er beskadiget.
- Sørg for, at netledningen ikke kommer i kontakt med varme overflader.
- Afskær eller fjern ikke jordforbindelsesstiften fra stikket. Brug kun et GFCI-beskyttet kredsløb til at drive grillen.
- Hvis der bruges højspænding til at drive grillen, kan det forårsage elektrisk stød eller endda død. Nedsenk ikke elektroniske eller varmeelementer i væske. Må ikke bruges i nærheden af nogen vandkilde eller i regnvejr.
- Træk aldrig i ledningen, når du tager stikket ud af grillen. Træk altid i selve stikket.



ADVARSEL:

Installer eller brug ikke grillen inden for 24 tommer (60,96 cm) af brændbare materialer fra bagsiden og siderne af grillen. Grillen må ikke placeres under overliggende overflader (lukket carport, garage, veranda, gårdhave), der kan brænde.

PILLEGRILLSYSTEM



1 BEHOLDER

Beholderen med stor kapacitet er udstyret med pillerensning bagtil og kan rumme nok piller til rygning en hel dag. I-Site™ pillebrændstof-indikatoren viser de anslåede timer med brændstof, der er tilbage i beholderen, afhængigt af hvilken madlavningstilstand du bruger.

2 DIGITAL CONTROLLER

Den Wi-Fi- og Bluetooth® †-aktiverede SureTemp™-controller med indbygget præcis temperaturstyringsteknologi kan bruges til at indstille og justere temperatur, timer og tilberedningsmuligheder. For at få den fulde Oakford™-oplevelse skal du oprette forbindelse til NEX-Fi-appen. Se afsnittet "Tilslutning til Wi-Fi-netværk og Bluetooth® †" for instruktioner.

3 LÅG OG BRÆNDKAMMER

Belægningen med høj temperaturbestandighed hjælper med at forhindre rust og revner over tid, så din grill ser bedre ud i længere tid. Pakningen omkring låget hjælper med at fange røgen og giver en mere røget smag til din kulinariske oplevelse.

4 STORT MADLAVNINGSSOMRÅDE

De porcelænsbelagte, rengøringsvenlige grillriste kan rumme masser af mad til alle dine gæster. Det øverste varmestativ kan fjernes for at rumme større kødstykker.

5 FORBEREDELSESPADS

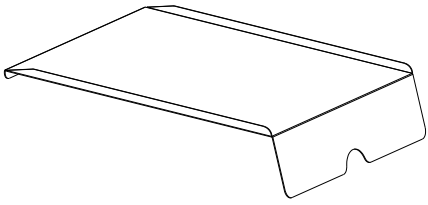
Hylderne foran og/eller på siderne giver rigelig forberedelsesplads til at rumme al din mad; med plads til overs til køkkenredskaber, krydderier eller en kold drik. Tre kroge er placeret på sidehylden til at hænge dine grillredskaber eller grillhandsker op. For modeller, der inkluderer en fronthyld, kan den let lukkes ved at trække den op og derefter folde den ned.

6 FEDTSYSTEM

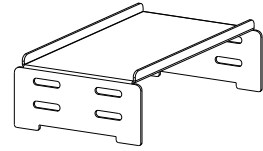
Eventuelt fedt drypper via fedtbakkens kanaler ned i spanden. Vi anbefaler at bruge aluminiumsfinger til fedtspanden for hurtig og nem rengøring.

† Bluetooth® er et registreret varemærke tilhørende The Bluetooth Special Interest Group (SIG).

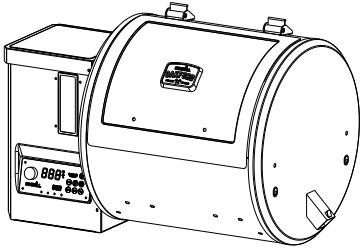
1



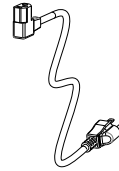
2



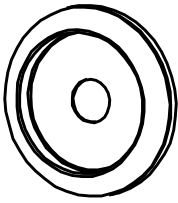
3



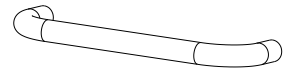
4



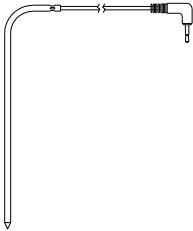
5 X2



6



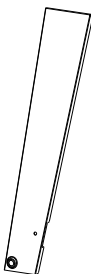
7



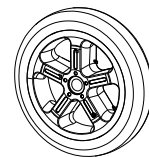
8



9

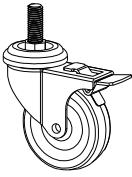


10 X2

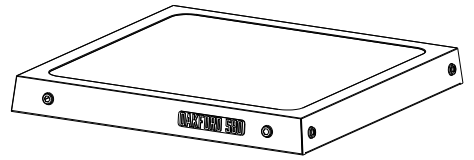


LISTE OVER DELE

11 X2



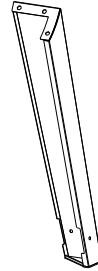
12



13



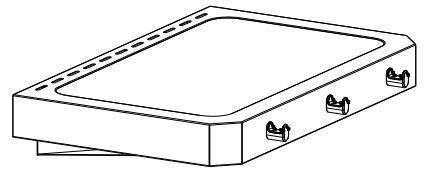
14



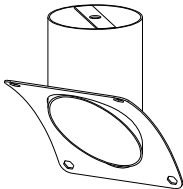
15



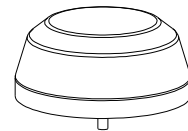
16



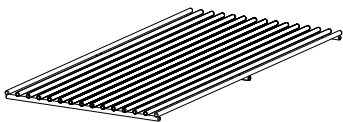
17



18



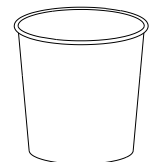
19 X2



20



21 X2





FORBEREDELSE:

Før du begynder at samle, installere eller betjene produktet, skal du sikre dig, at alle dele er til stede og ubeskadigede. Sammenlign leverede dele med listen over pakkens dele og diagrammet ovenfor. Hvis en del mangler eller er beskadiget, må du ikke forsøge at samle, installere eller betjene produktet. Kontakt vores kundeservice for reservedele.

LÆS ALLE SIKKERHEDSADVARSLER, MONTERINGS- OG INSTALLATIONSVEJLEDNING OMHYGGELIGT, FØR DU FORSØGER AT MONTERE.

HARDWARE

A X26



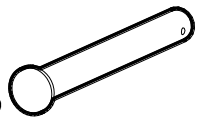
B X26



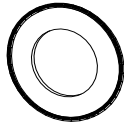
C X26



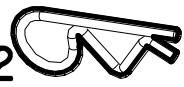
D X2



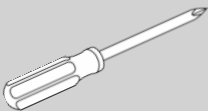
E X2



F X2



NØDVENDIGE VÆRKTØJER (IKKE INKLUDERET)



Phillips skruetrækker

NOGLE DELE KOMMER MED FORMONTEREDE SKRUER. LØSN OG STRAM VED SLUTMONTERING.

TIPS:

- Nogle monteringsstrin kræver 2 personer.
- Brug en flad og plan overflade til at samle grillen.

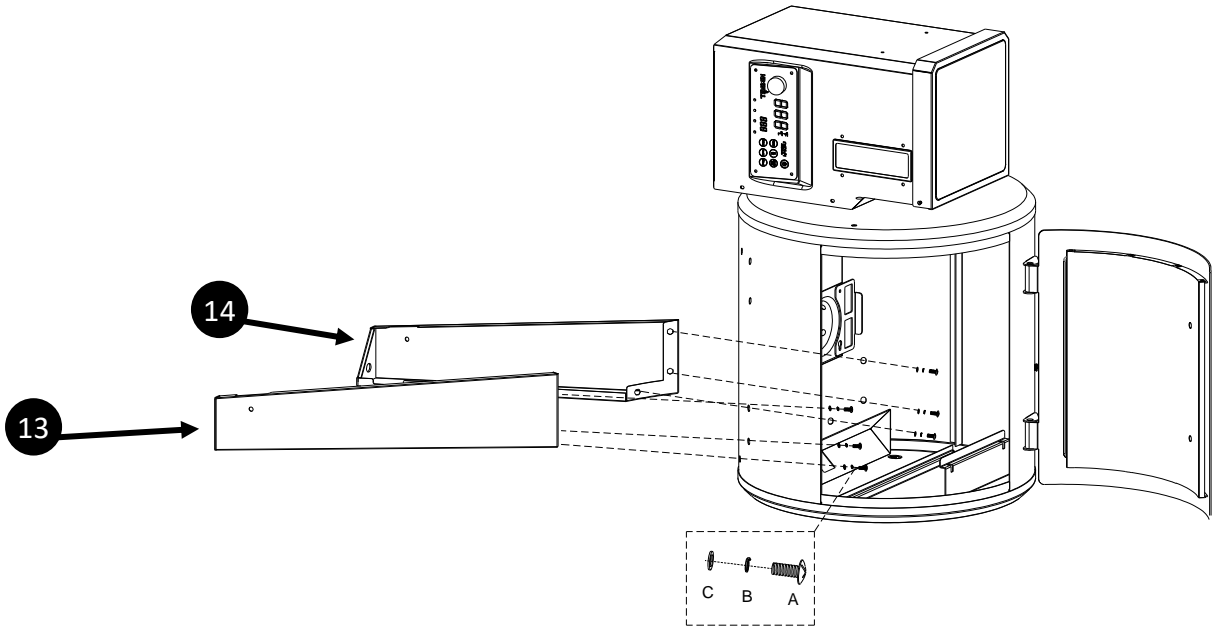


ADVARSEL!

Ufuldstændig eller forkert montering kan være farlig. Brug ikke grillen, hvis der mangler dele. Grillen skal monteres korrekt i henhold til producentens anvisninger.

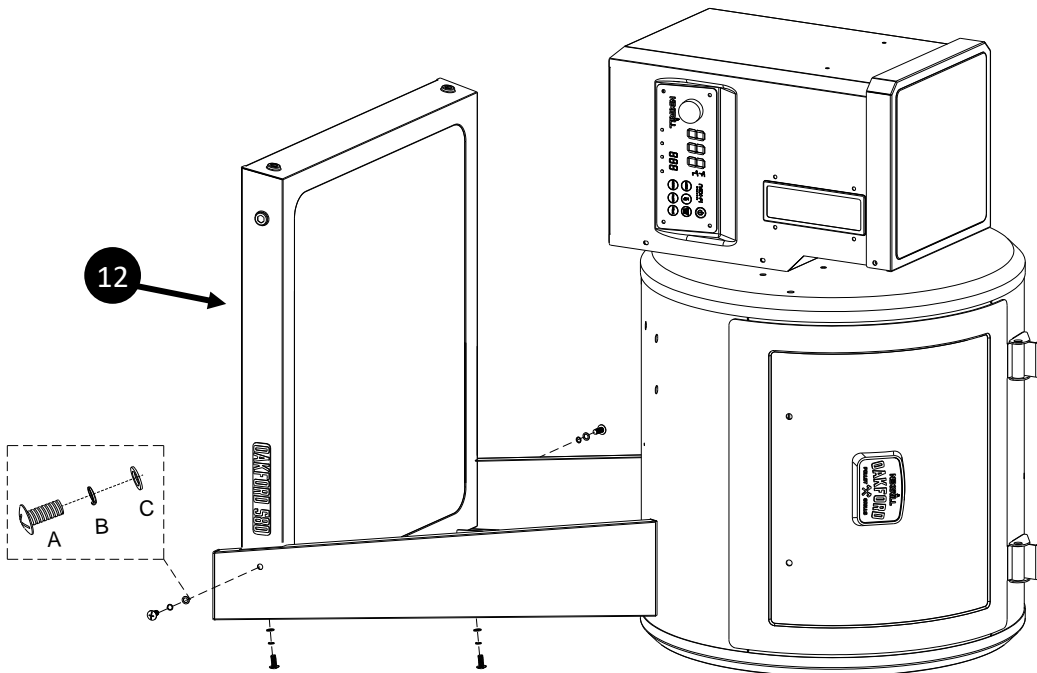
1

A×6 B×6 C×6



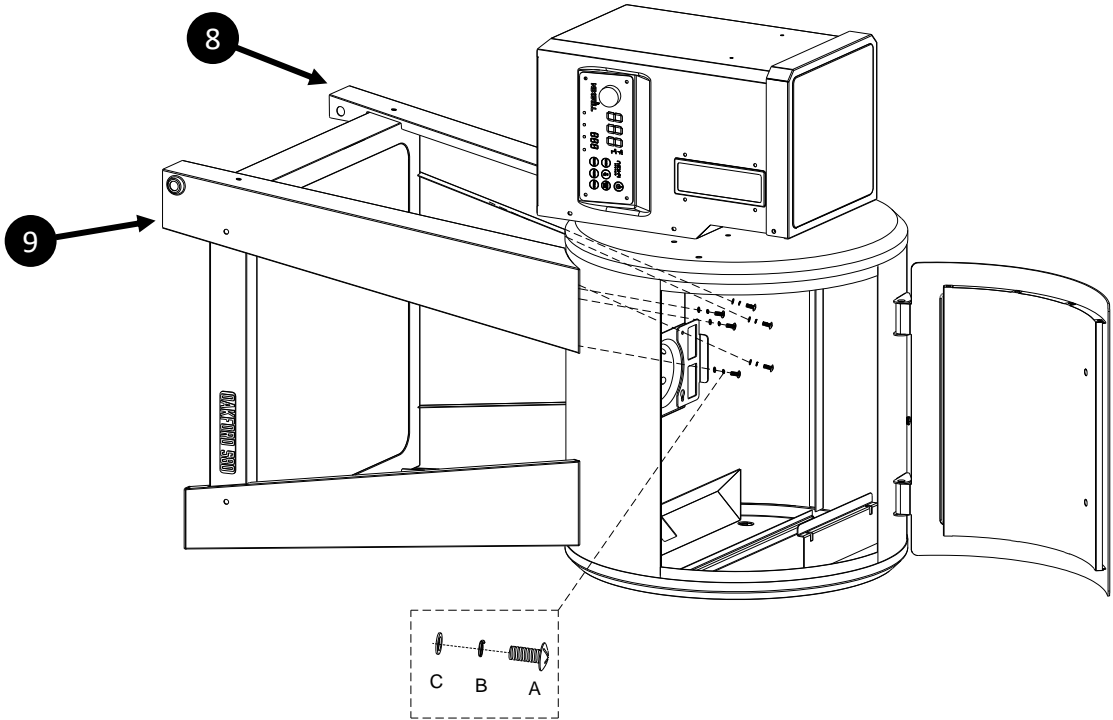
2

A×4 B×4 C×4



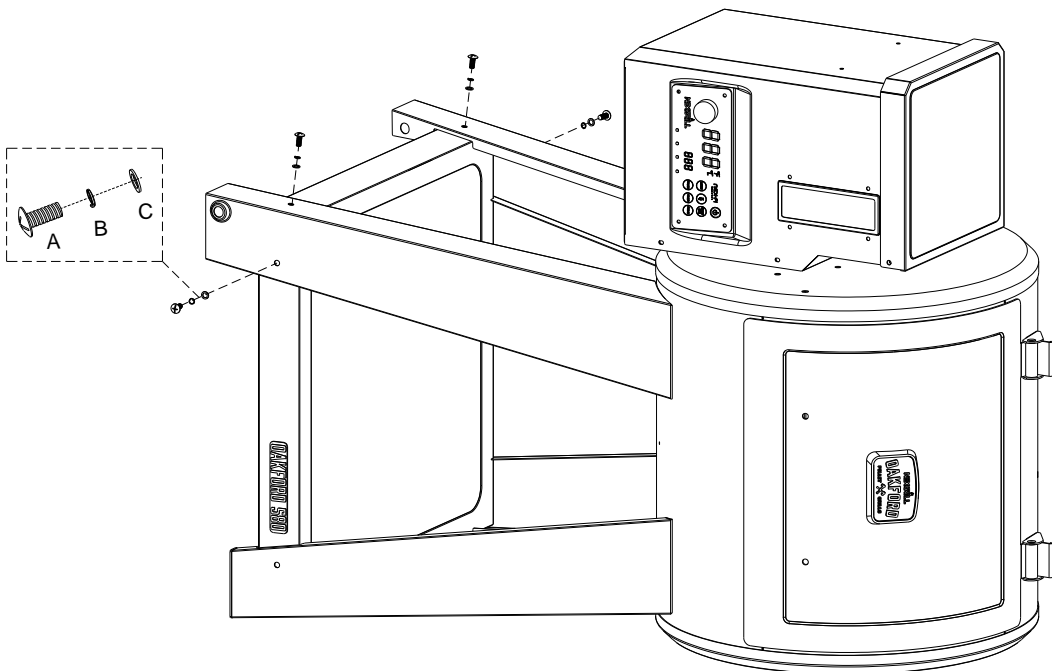
3

A×6 B×6 C×6



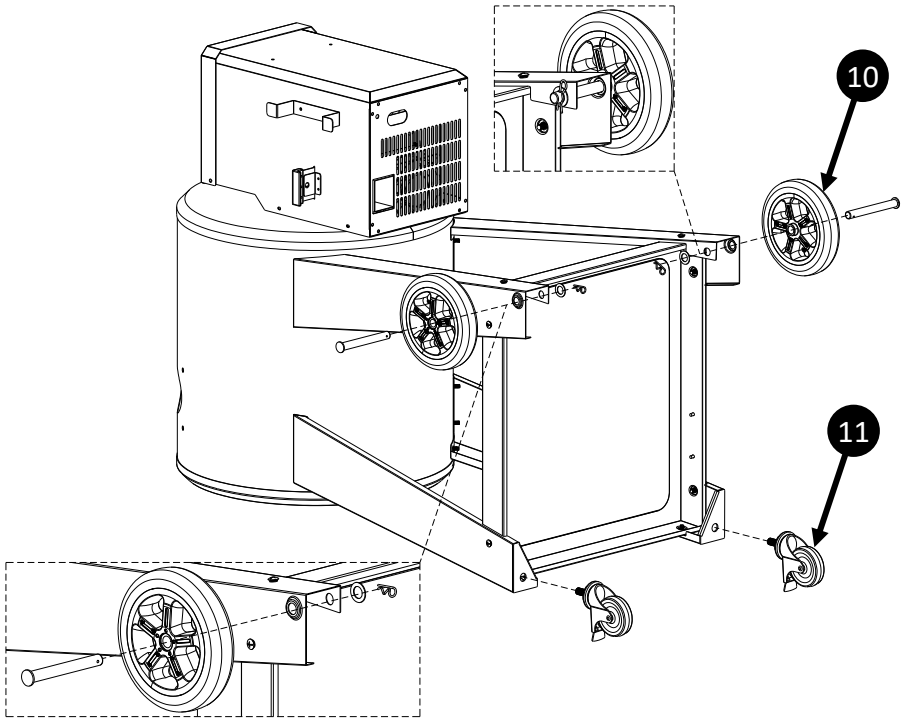
4

A×4 B×4 C×4

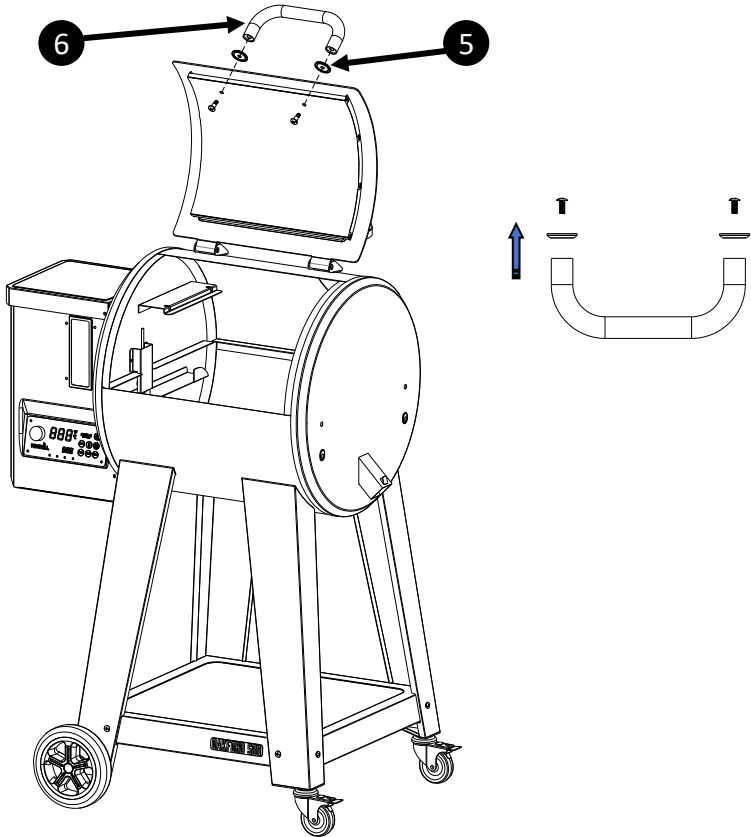


5

D×2 E×2 F×2

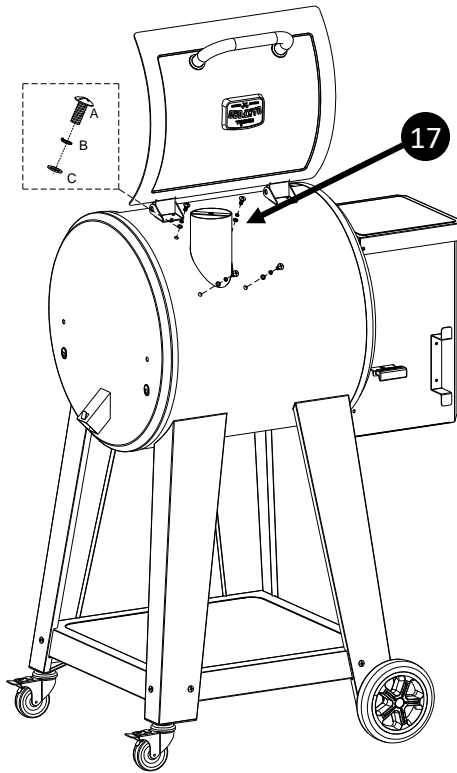


6

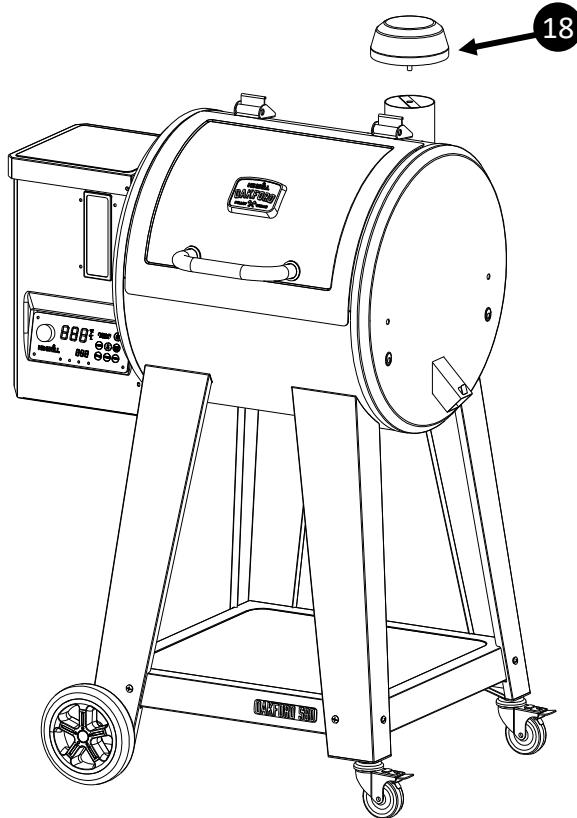


7

A×4 B×4 C×4

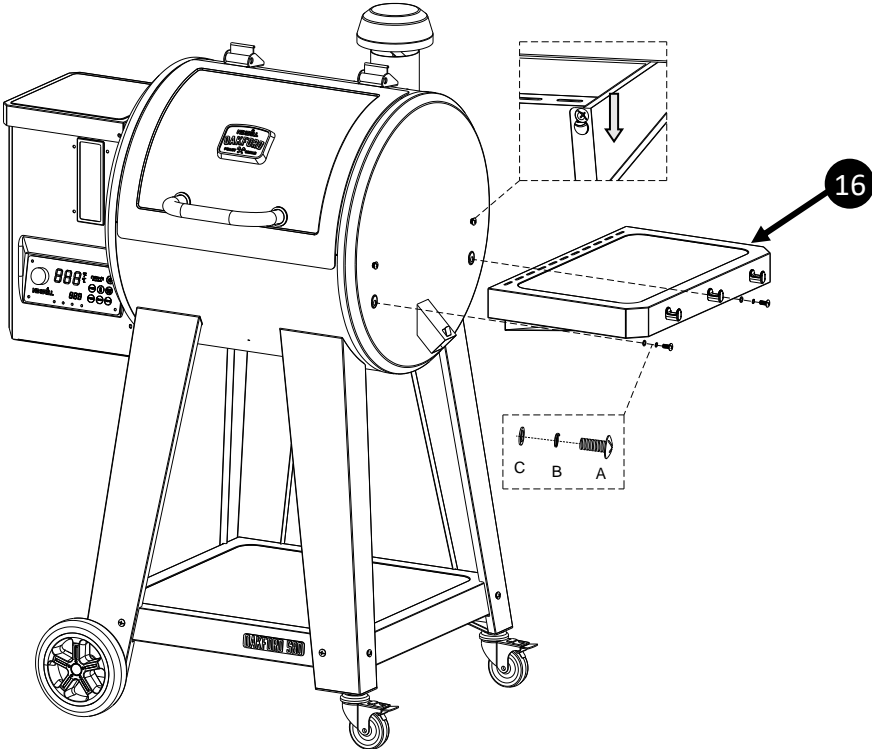


8

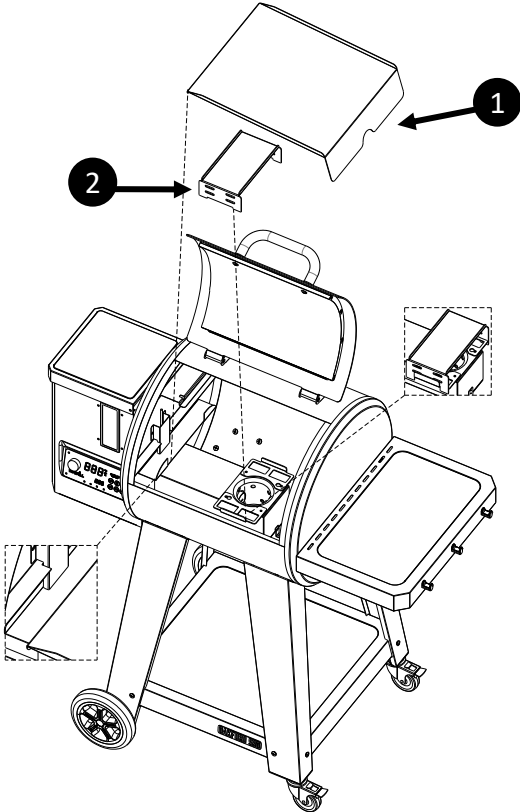


9

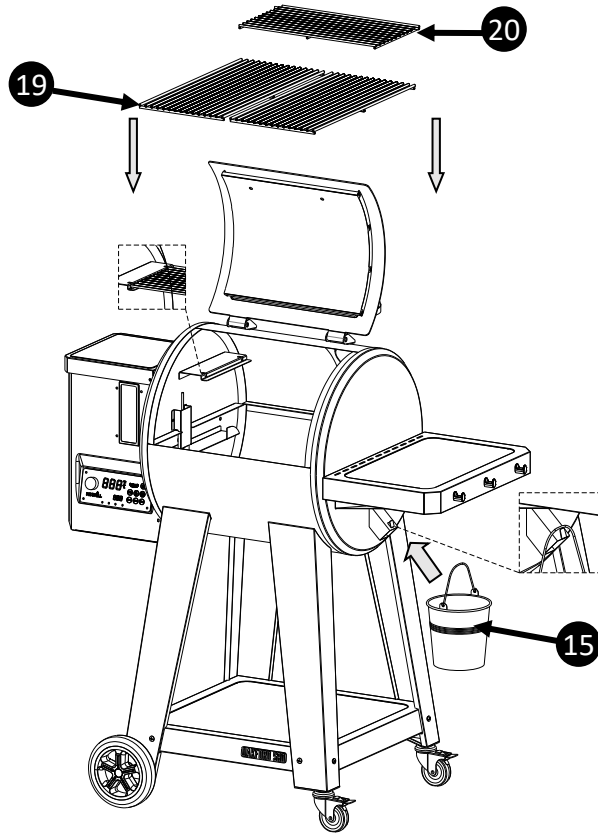
A×2 B×2 C×2



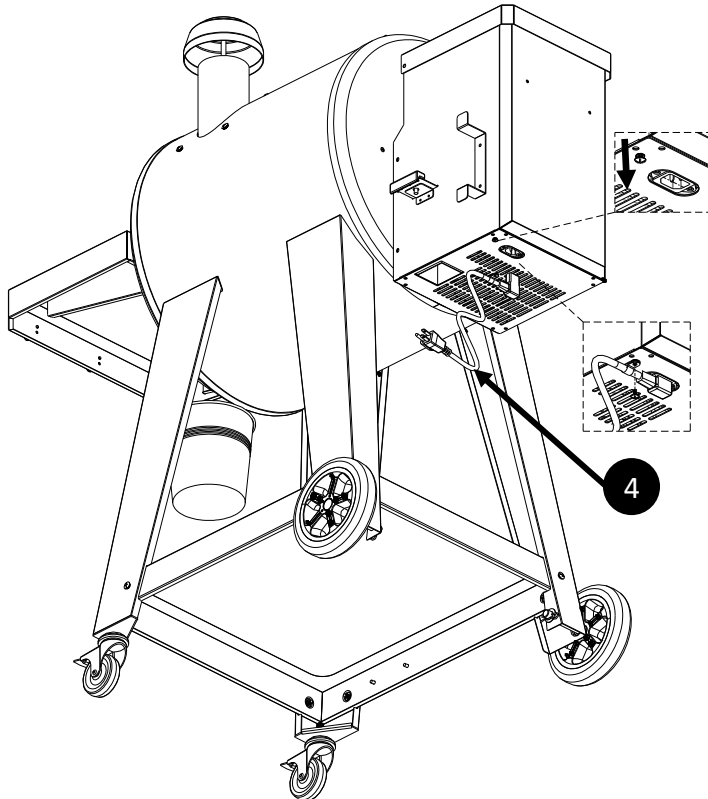
10

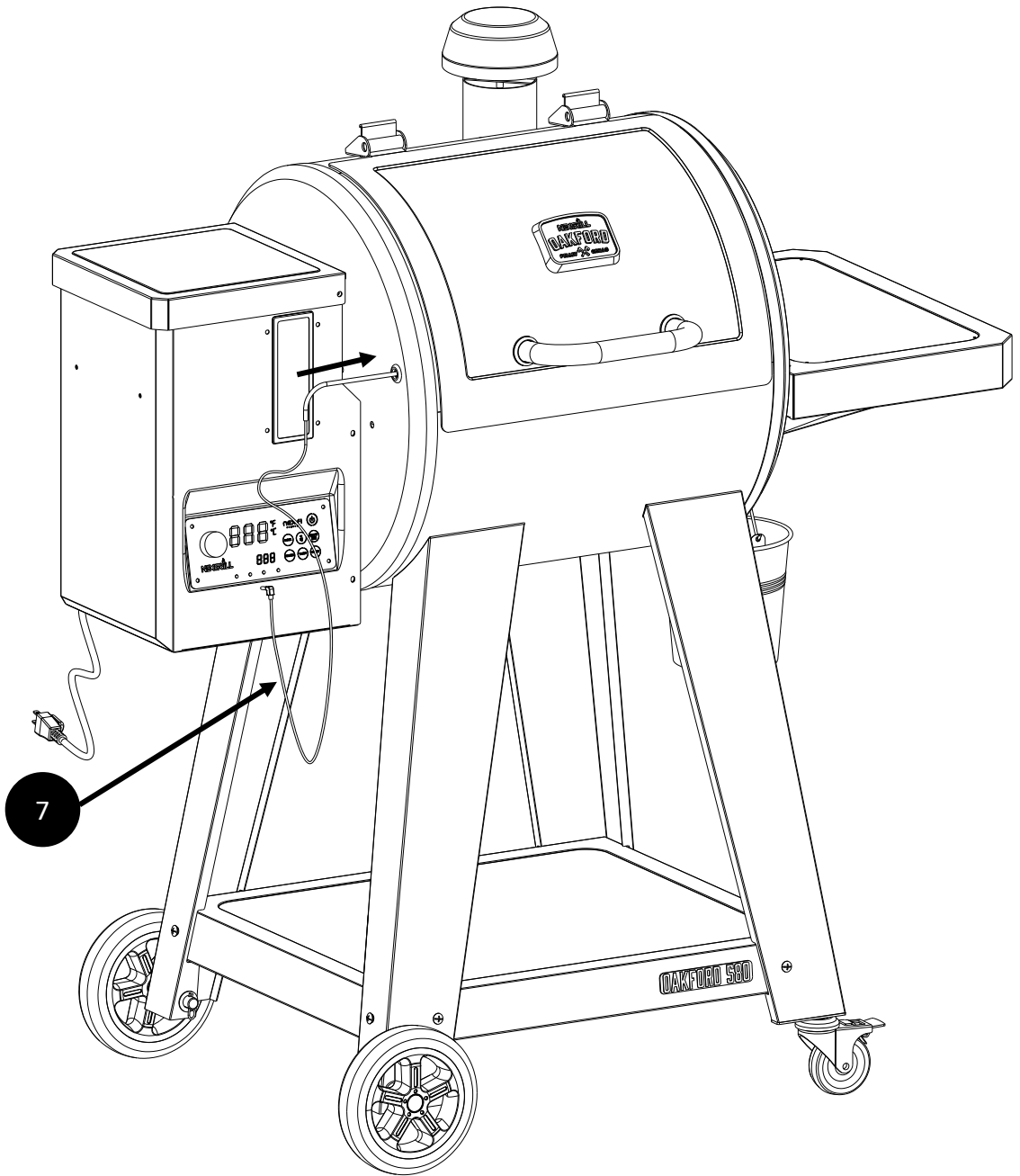


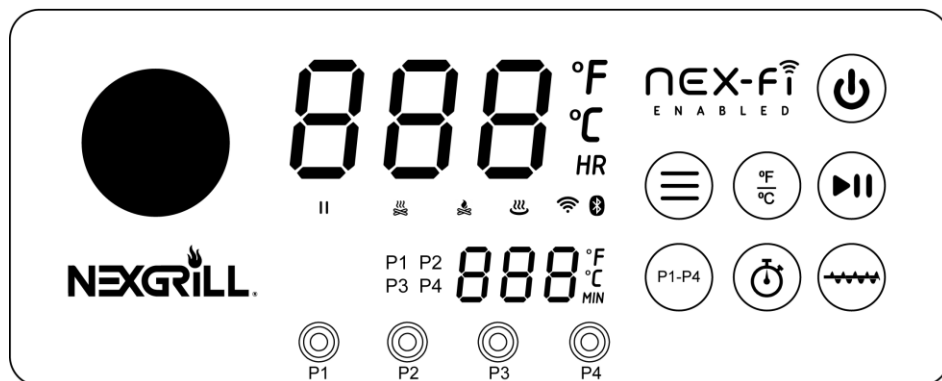
11



12







KONTROLDREJEKNAPPER

Drej denne kontroldrejknapp for at justere værdierne for timeren, kødtermometertemperaturen og grilltemperaturen. Tryk på kontroldrejknappen for at bekræfte ny målværdi. Grilltemperaturen kan justeres i trin på 5°F (3°C). Under tilberedningen skal du trykke på knappen for at vise den aktuelle grilltemperatur.



STRØM

Tryk for at tænde for kontrolleren. Når du er færdig med tilberedningen, tryk igen for at gå ind i den automatiske nedlukningsproces.



TILSTAND

Tryk for at skifte mellem de tre forudindstillede driftstilstande. Tryk på kontroldrejknappen for at bekræfte valget af tilstand med en standardtemperatur, eller juster temperaturen, før du vælger ved at dreje kontroldrejknappen.

	RØGTILSTAND Forprogrammeret til langsom rygning har dette program en standardtemperatur på 225°F (107°C).
	GRILLTILSTAND Ved at bruge en PID-algoritme til nøjagtig temperaturkontrol har dette program en standardtemperatur indstillet til "HI" (over 550°F (288°C) afhængigt af model).
	VARMETILSTAND Forudindstillet til kun 180°F (82°C) bruges denne tilstand specifikt til at holde maden varm. Hvis valgt, vil grillen automatisk skifte til WARM, når P1 har nået måltemperaturen.



TEMPERATURENHED

Tryk for at skifte temperaturskala mellem Fahrenheit og Celsius.



PLAY/PAUSE

Bruges ved opstart til at starte tændingsprocessen. Når en tilberedningstilstand er valgt, kan der trykkes på denne under tilberedningen for at sætte programmet på pause. Det vil hjælpe med at forhindre overfodring af sneglen med piller på grund af et temperaturfald (f.eks. åbent låg). Når den er sat på pause, eller når den bliver tændt, vil grillen være i standby og "II" (pause)ikonet vil lyse. Tryk på den igen for at genoptage det sidste program. Hvis der ikke foretages nogen handling inden for fem minutter, vil grillen gå i nedlukningsprocessen.



SONDER/MÅLERE

Denne Oakford Pellet Grill kan betjenes med op til fire temperatursonder/målere for at hjælpe dig med at tilberede en række forskellige fødevarer til perfektion. Tryk for at gå gennem hver tilsluttet sonde. Når indekset vises (P1, P2, etc.), tryk og hold i tre sekunder for at indstille måltemperaturen. Brug kontroldrejknappen til at ændre temperaturværdien og tryk på den for at bekræfte værdien.



TIMER

Tryk for at indstille en timer i minutter og timer. Controlleren vil alarmere, når tiden er udløbet.

Sådan indstilles en timer:

1. Tryk på knappen. Det nederste tal blinker. Juster minutværdien ved hjælp af kontroldrejknappen. Tryk på kontroldrejknappen for at bekræfte.
2. Nu vil det øverste tal blinke. Indstil timen med kontroldrejknappen. Tryk på kontroldrejknappen for at bekræfte og starte timeren.

Symbolerne "HR" og "MIN" vil blinke, hvilket indikerer, at timeren kører. Tryk på knappen for at kontrollere den resterende tid. Tryk og hold knappen nede i 3 sekunder for at annullere timeren.



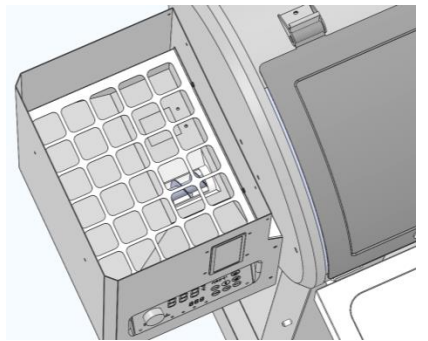
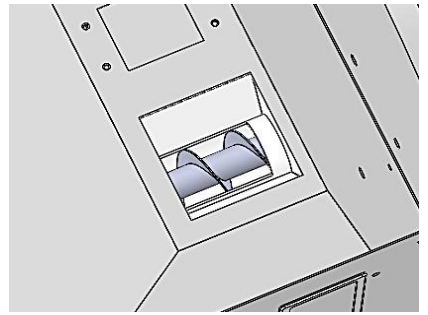
PRIME

Tryk for at køre sneglen i 30 sekunder før eller efter tilberedning. Hvis der er brug for mere tid til at fylde eller tømme sneglerøret med piller, skal du trykke på knappen igen, når den holder op med at blinke. Tryk og hold i 3 sekunder for at annullere denne handling.

BETJENINGSVEJLEDNING

FØR FØRSTE BRUG

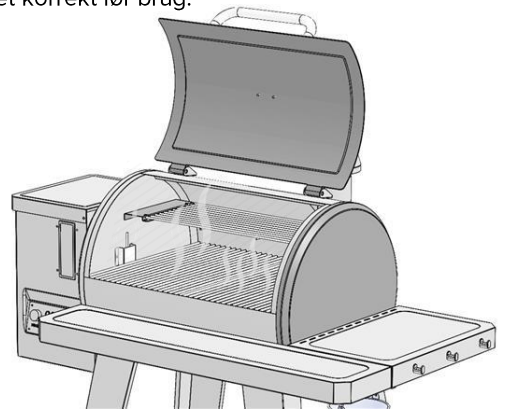
1. Fjern al emballage fra grillen.
2. Grillen skal installeres på et sikkert, plant underlag før brug.
3. Åbn grillen for at sikre dig, at opvarmningsristen, grillristene, diffusoren og fedtbakken er korrekt installeret.
4. Åbn beholderens låg, og kontroller, at der ikke er fremmedlegemer, der blokerer sneglen.
5. Sørg for, at beholderens sikkerhedsafskærmning er på plads, og at pillerensningslågen er lukket og låst.
6. Fyld beholderen med dit valg af piller til det ønskede brændstofniveau, og luk tragtens låg.
7. Sørg for, at netledningen er tilsluttet grillen, før den anden ende sættes i en jordet stikkontakt.
8. Tænd din grill ved at trykke på tænd/sluk-knappen på controlleren.
9. Åbn grilllåget.
10. Forbered sneglen ved at trykke på PRIME-knappen, som aktiverer sneglen i 30 sekunder. Gentag denne cyklus, indtil du hører piller falde ned i brændkammeret. Tryk og hold PRIME nede i 3 sekunder for at stoppe den.
11. Brug kontroldrejhjulet til at indstille temperaturen til 400°F (204°C), og tryk på drejeknappen for at bekræfte.
12. Tryk på PLAY/PAUSE for at starte tændingsprocessen.
13. Når grillen er tændt, lukkes grilllåget. Under tændingen kan der komme en stor mængde røg fra grillen.
14. Mens grillen overvåges, skal grillen varmes op, og brændstoffet holdes rødglødende i mindst 30 minutter før den første tilberedning. Dette vil fjerne produktionsproceolier og hjælpe med at krydre grillen.
15. Når krydringen er færdig, skal du trykke på tænd/sluk-knappen for at starte den automatiske nedlukningsproces.
16. Når grillen er blevet slukket og afkølet korrekt, skal du tage stikket ud af stikkontakten.
17. Åbn låget og rengør grillristene og varmeristene med en grillbørste eller træskraber.
18. Rengør grundigt ved at følge instruktionerne i afsnittet "Pleje- og vedligeholdelsesinstruktioner".
19. Når din grill er rengjort, skal du sørge for, at alle dele bliver geninstalleret korrekt før brug.



HVER ENESTE BRUG

Følg trinene hver gang du betjener din Oakford pillegrill:

1. Sørg for, at beholderen er fyldt nok op med piller. Se pillebrændstofindikatoren på beholderen for anbefalet pillemængde.
2. Rengør og bortskaf eventuelt resterende aske og fedt. Undersøg for kreosot-opbygning. Fjern ophobet fedt og kreosot for at reducere risikoen for brand.
3. Sæt altid netledningen i en stikkontakt med jord.
4. Åbn grilllåget, mens du tænder.
5. Brug Nexgrill-appen til at forbedre din grilloplevelse.



OPTÆNDING AF DIN GRILL - AUTOMATISK

Sørg for, at din grill er korrekt opsat og klar til brug.

1. Åbn grilllåget og kontroller, at alle komponenter er på plads.
2. Sørg for, at beholderen ikke indeholder fremmedlegemer og er fyldt nok op med grillpiller.
3. Sørg for at sikre, at sneglen er primet og klar til brug. Hvis ikke, se PRIME-funktionen for korrekt opsætning.
4. Sæt netledningen i en korrekt jordet stikkontakt, og tryk på tænd/slukknappen.
5. Tryk på PLAY/PAUSE, eller indtast først den ønskede tilberedningstilstand og temperatur. Hvis intet indtastes, starter grillen med en standardmåltemperatur på 360°F (182°C). Inden for 5 minutter bør røgen være synlig. Hvis ikke, skal du slukke for controlleren og vente 5 minutter, før du gentager.
6. Når grillen er tændt lukkes låget. Indstil den ønskede tilberedningstilstand og temperatur, hvis den ikke allerede er indtastet.
7. Lav ikke mad, før brændstoffet har en belægning af aske.

SLUKNING AF DIN GRILL

Når din madlavning er færdig, skal din OAKFORD slukkes ordentligt for at rense brændkammeret for eventuelle resterende piller og aske. Brug denne procedure til korrekt at slukke din grill efter hver brug.

1. Åbn låget, fjern alle kødrester og mad.
2. Mens låget stadig er åbent, skal du trykke på tænd/sluk-knappen for at starte den automatiske nedlukningsproces. Under denne proces vil blæseren fortsætte med at køre, indtil grilltemperaturen falder til under 130°F (54°C), mindst 15 minutter, for at hjælpe med afbrændingsprocessen. Tag ikke stikket ud af grillen, før blæseren har afsluttet denne proces og er slukket.
3. Træk stikket til grillen ud af strømkilden.
4. Vent, indtil grillen er kølet af, før du opbevarer den til din næste madlavning udendørs.

OPTÆNDING AF DIN GRILL - MANUELT

Sørg for, at din grill er korrekt opsat og klar til brug.

1. Åbn grilllåget og fjern risten, fedtbakken og diffusoren.
2. Sørg for, at beholderen ikke indeholder fremmedlegemer og er fyldt nok op med grillpiller.
3. Kontroller, at brændkammeret er rent og ikke indeholder fremmedlegemer.
4. Sæt netledningen i en korrekt jordet stikkontakt.
5. Sneglen skal være primet og klar til brug. Hvis ikke, se PRIME-funktionen for korrekt opsætning.
6. Tilføj en håndfuld grillpiller til brændkammeret.
7. Tilføj en naturlig træ-ildstarter eller gel til brændkammeret.
8. Tænd ildstarteren med en lang tændstik eller lighter.
9. Når pillerne brænder godt skal du sætte diffusoren, fedtbakken og ristene i igen.
10. Tryk på tænd-/sluk-knappen.
11. Tryk på PLAY/PAUSE. Se efter, at flere piller er blevet tilføjet og brænder ordentligt.
12. Når grillen er tændt lukkes låget.
13. Indstil den ønskede tilberedningstilstand og temperatur, hvis den ikke allerede er indtastet.

ADVARSEL! Brug ikke sprit eller benzin til optænding eller genoptænding! Brug kun ildtændere, der overholder EN 1860-3!

UDSKIFTNING AF PILLER

Når du vil ændre pillesmagen til dit næste middagselskab, eller tømme beholderen for en grundig vedligeholdelse, skal du følge instruktionerne nedenfor:

1. Find åbningen i bunden af pillebeholderen og anbring en stor beholder nedenunder.
2. Fra bagsiden af din OAKFORD-grill skal du løsne låseskruen på træpille-udrensningslågen ved at dreje mod uret to hele omgange (A).
3. Træk pillerensningsdøren ud for at lade pillerne falde ned i din beholder.
4. Når beholderen er tom, skal du skubbe pillerensningsdøren ind igen og låse den ved at dreje låseskruen med uret (B).
5. Tilslut grillen til en jordet stikkontakt, og tryk på tænd-/sluk-knappen.
6. Tryk PRIME, så sneglen fjerner pillerne fra snegleskruen og fører dem ind i brændkammeret. Gentag dette indtil sneglen er tom.
7. Brug en støvsuger til at fjerne pillerne og asken fra brændkammeret.

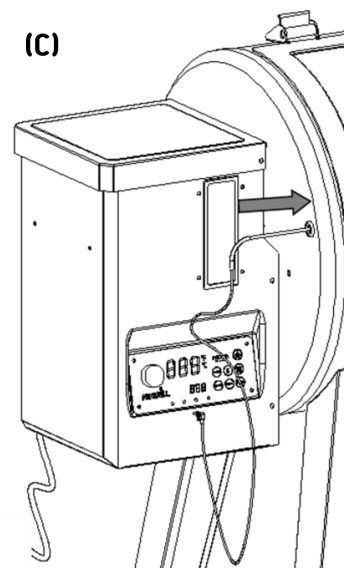
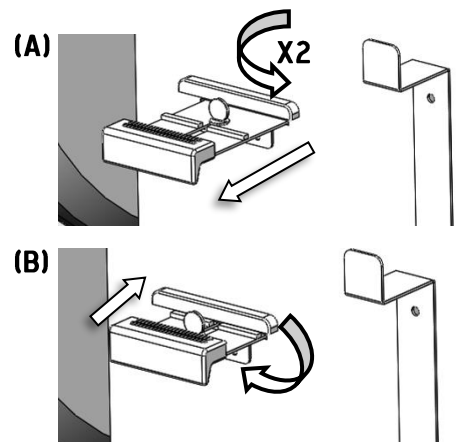
ADVARSEL: Inspicér visuelt beholderens fingersikkerhedsskærm for at sikre, at den er på plads og ikke er beskadiget, før beholderen fyldes med dit valg af piller. Skift IKKE piller, når grillen er varm.

MADLAVNING MED TEMPERATURMÅLERE

Brug den medfølgende kødsonde til at styre din OAKFORD-pillegrill ved at følge nedenstående trin:

1. Sæt kødsonden i porten i bunden af controlleren*, før derefter sonden gennem åbningshullet i venstre side af madlavningskammeret (C). Sørg for at bære varmebeskyttende handsker.
2. Indsæt temperatursonden i den tykkeste del af dit valgte stykke kød.
3. Læg din mad på risten og luk grilllåget.
4. Se siden om Controllerfunktion for instruktioner om indstillet målrettet sondetemperatur.

***AUTOMATISK VARMEFUNKTION:** Med kødsonden tilsluttet til port P1, skal du indstille den ønskede måltemperatur for maden for at aktivere den automatiske varmekontrol. Denne funktion reducerer automatisk den indstillede grilltemperatur til 180°F (82°C) og viser ikonet WARM, efter at sondetemperaturen har nået sin måltemperatur. Grillen forbliver på WARM-indstillingen (i maks. 10 minutter), mens den afventer den næste brugerindtastning. Dette er for at forhindre, at maden bliver overkogt/-stegt, hvis brugeren ikke er til stede, når den indstillede kødtermometertemperatur er nået. For at undgå denne automatiske varmekontrol skal du bruge portene P2 til P4 i stedet for. Alternativt kan du slå denne funktion fra via "NEX-Fi"-appen.



PLEJE- OG VEDLIGEHOLDELSESINSTRUKTIONER



ADVARSEL!
SØRG FOR, AT GRILLEN ER AFKØLET OG TAGET UD AF STIKKONTAKTEN, FØR NOGEN FORM FOR RENGØRING ELLER VEDLIGEHOLDELSE UDFØRES.

INDVENDIG

GRILLRISTE

- Når grillen er afkølet, skrubbes begge sider af grillristene med en stålbørste.
- Eventuelle genstridige, fastbrændte madrester kan skrubes af med en skraber.
- Ristene kan også tages ud af grillen og vaskes med opvaskemiddel og varmt vand. Tør grundigt af.
- Grillristene skal rengøres efter hver brug.

FEDTSYSTEM

- Fjern grillristene og skrab mad- og fedtresten af fedtbakken med en skraber eller grillbørste.
- Fedtbakken kan også tages af grillen og vaskes med opvaskemiddel og varmt vand. Tør grundigt af.
- Fedtkoppen kan fores med folie-fedtkopper for nem rengøring.
- Fedtbakken skal rengøres efter hver brug. Fedtbeholderen skal tømmes, når den er ¾ fuld.

INDVENDIGE OVERFLADER

- Børst eller skrab alt fedt eller snavs af, der er ophobet på de indvendige overflader, med en skraber eller grillbørste.
- Støvsug aske og madrester ud af bunden af brændkammeret og brændegryden.
- Alle overflader kan vaskes med mildt sæbevand og/eller et mildt affedtningsmiddel. Tør grundigt af.
- Indvendige overflader bør overvåges og rengøres, når der har ophobet sig fedt og snavs, dog ikke mindre end to gange om året.

UDVENDIG

BELAGTE OG PLASTFLADER

- Efter at grillen er kølet helt af, kan de udvendige overflader tørres af med en mild blanding af sæbe og vand. Tør grundigt af.
- Brug ikke slibende rengøringsmidler.

RUSTFRIT STÅL (GÆLDENDE PÅ NOGLE MODELLER)

- Brug et rengøringsmiddel til rustfrit stål og en ikke-slibende, fnugfri klud til at rengøre komponenter i rustfrit stål.
- Gnid altid i fibrenes retning for at undgå ridser og brug ikke køkkenrulle.

SPRØJT IKKE GRILLEN MED EN HAVESLANGE ELLER HØJTRYKSSPULER FOR AT FORHINDRE SKADE PÅ ELEKTRISKE KOMPONENTER.

OPBEVARING

- Opbevar altid din grill overdækket mellem brug for at forhindre korrosion eller anden skade på grillen, især hvis den opbevares i et regnfuldt eller fugtigt miljø.
- Opbevar ikke grillen med beholderen og/eller sneglen fuld af piller, især under våde eller fugtige forhold. Fugt vil få pillerne til at udvide sig og kan føre til sneglestop. Brug pille-hurtigudløserlågen, der er placeret bagerst i beholderen, til at tømme resterende piller ned i en beholder og brænd eventuelle piller, der er tilbage i sneglen, af før opbevaring.
- Opbevar ekstra træpiller i en lufttæt beholder, væk fra varmeproducerende apparater, fugt og andre brændstofbeholdere. Tjek før brug friskheden af dine piller ved at brække en pille i to dele. Pillen skal knække med et snuptag. Hvis den smuldrer, betyder det, at din pille ikke er frisk, og det vil påvirke grillens ydeevne.



- **Kreosot** – Dannelse og behov for fjernelse. Når træpiller brændes langsomt, producerer de tjære og andre organiske dampe, der kombineres med udstødt fugt og danner kreosot. Kreosotdampene kondenserer i et relativt køligt ovnafræk og i udsugningshætten af en langsomt brændende ild. Som et resultat samler kreosotresten sig på skorstensaftrækket og udstødningshætten. Når den antændes, skaber denne kreosot en ekstrem varm ild.
- Fedtkanalene bør inspiceres mindst to gange om året for at afgøre, hvornår der er opbygget fedt og/eller kreosot.
- Når fedt eller kreosot har samlet sig, bør det fjernes for at mindske risikoen for brand.

FEJLKODER

En sjælden gang vil din controller opdage et problem, og du kan muligvis se en fejlkode vist på controlleren. Se venligst følgende tabel for beskrivelser og løsninger:

FEJLKODE	FEJLBESKRIVELSE	LØSNING
ER1	Fejl i brændkammer-termoelementsensoren	Denne fejl opstår, når termoelementet har mistet forbindelsen til controlleren på grund af en løs ledningsforbindelse eller fejl i termoelementet, hvilket vil kræve en udskiftning.
ER2	Tændingsfejl	Denne fejl opstår, når grillen ikke registrerer en temperaturstigning inden for 15 minutter efter temperaturen er indstillet, hvilket indikerer, at den ikke kan tænde. Omgivelsestemperatur, tilstoppet snegelerør, mangel på piller, askeophobning osv. kan påvirke tændingen. Tjek pilletilførselssystemet og genstart grillen.
ER3	Fejl ved høj temperaturgrænse	Denne fejl opstår, når grilltemperaturen overstiger 675 °F (357 °C). Lad grillen køle af, og sluk derefter grillen. Genstart grillen efter at have fjernet de resterende piller fra brændkammeret.
ER4	Fejl ved lav temperaturgrænse	Hvis grilltemperaturen falder for langt under den indstillede temperatur, vises denne kode. Dette kan ske, når der grilles med låget åbent. I så fald kan brugeren slette fejlkoden ved at trykke på kontrolknappen. Hvis der ikke laves mad med åbent låg, kan det tyde på, at tænderen er gået ud. I så fald skal brugeren slukke for grillen og tømme brændkammeret, før den genstartes.
ER5	Fejl i sonde-/målerkommunikation	Denne fejl opstår, hvis en temperatursonde tilsluttet port P1, der har en indstillet måltemperatur, mister forbindelsen. Kontroller, at kødsonden er korrekt tilsluttet til controlleren. Hvis problemet fortsætter, skal sonden udskiftes.
ER9	Fejl i netværskommunikation	Hvis controlleren tidligere var forbundet til Wi-Fi-netværket, indikerer denne fejl, at internettet ikke fungerer, og/eller forbindelsen til Wi-Fi-netværket er blevet afbrudt. Genstart din grill, sørg for et stærkt Wi-Fi-signal, hvor du griller.

BEMÆRK: Tryk på kontroldrejeknappen for at afvise en fejlkode.

RING TIL OS

For hjælp eller reservedele,
ring venligst til vores
kundeservice på: 1-800-913-
8999,
08:00 til 05:00, PST,
Mandag-fredag.



VIGTIGT:

Brug kun fabriksgodkendte dele. Brug af dele, der ikke er fabriksautoriseret, kan være farlig. Dette vil også annullere din garanti.

FEJLFINDING

OFTE STILLEDE SPØRSMÅL

Hvad gør jeg, hvis sneglen sidder fast?	SVAR
Hvorfor svinger temperaturen på min pillegrill?	<ol style="list-style-type: none">1. Tag stikket ud af grillen og vent til den er kølet af.2. Hvis blokeringen ikke kan fjernes fra pillebeholderåbningen, skal sneglen og motoren muligvis fjernes.3. Kontakt kundeservice for at få hjælp til at fjerne sneglen for at rydde den.
Hvorfor forbliver ilden ikke tændt?	Temperatursvingninger er normale. Ethvert væsentligt udsving kan være resultatet af vind- og omgivelsestemperatur, pillemængde eller manglende vedligeholdelse. Undgå at bruge pillegrillen, når det blæser eller regner udenfor.
Hvorfor opvarmes grillen ikke til den indstillede temperatur?	Overskydende aske i brændkammeret kan forårsage dette ved at dække tænderen og forhindre pillerne i at brænde. Tag stikket ud af grillen og vent på, at den er kølet af, og fjern derefter grillristene, fedtbakken og varmesprederen. Fjern eventuelle piller og aske fra brændkammeret. En støvsuger med slangetilslutning er ideel til at fjerne aske fra brændkammeret.
Hvordan undgår jeg opblussende flammer?	Dette skyldes typisk, at brændkammeret ikke får nok ilt til at opnå den ønskede temperatur. Undersøg brændkammeret og sørg for, at det ikke indeholder for meget aske. Tjek beholderen og tilføj om nødvendigt flere piller. Udskift dem, hvis de er fugtige. Du bør også tjekke blæseren for at sikre, at den fungerer.
Hvad gør jeg, hvis sneglen sidder fast?	Hvis du tilbereder mad, der indeholder meget fedt, skal du holde temperaturen på eller under 350°F (177°C) for at undgå opblussende flammer.

SÅDAN BESTILLER DU RESERVEDELE

For at sikre dig, at du får de korrekte reservedele til din grill, se venligst reservedelslisten. Gem denne monterings- og betjeningsvejledning for nem reference og til bestilling af reservedele.

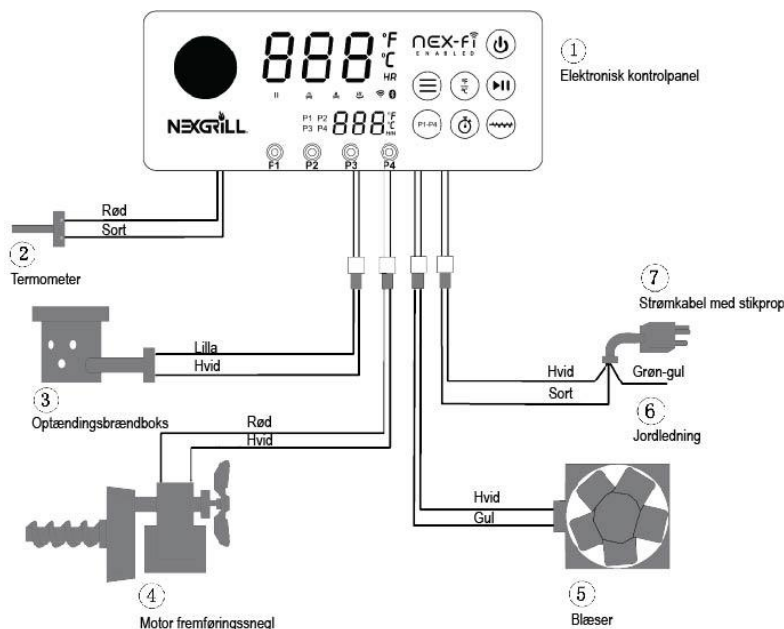
FØLGENDE OPLYSNINGER KRÆVES FOR AT SIKRE, AT DEN KORREKTE DEL BESTILLES:

- Oakford™ pillegrill modelnummer
- Beskrivelse
- Serienummer
- Antal
- Delnummer

FOR AT FÅ RESERVEDELE, VENLIGST KONTAKT VORES KUNDESERVICE HOTLINE

1-800-913-8999 i USA 8 a.m.-5 p.m., PST. Mandag-fredag.

ELEKTRISK KREDSLØBSDIAGRAM



BEGRÆNSET GARANTI

Producenten garanterer **KUN** over for den oprindelige forbruger-køber, at dette produkt (*model # 910-05001*) vil være frit for defekter i udførelse og materialer efter korrekt montering og under normal og rimelig hjemmebrug i de perioder, der er angivet nedenfor, begyndende på købsdatoen. Producenten forbeholder sig retten til at kræve fotografisk bevis for skade, eller at defekte dele returneres til gennemgang og undersøgelse, hvor porto og/eller fragt forudbetales af forbrugeren. Nexgrills forpligtelse er begrænset til reparation, udskiftning eller afskrevet værdi, efter Nexgrills valg.

Alle Pellet Grill modeller	GARANTIER
Brændkammer og alle komponenter, der ikke er dækket nedenfor	5 år
Elektriske komponenter	3 år
Grillriste	3 år

Når forbrugeren fremlægger købsbevis som angivet heri, vil producenten reparere eller udskifte de dele, som er bevist defekte i den gældende garantiperiode. Dele, der kræves for at udføre en sådan reparation eller udskiftning, er gratis for dig, bortset fra forsendelsesomkostninger, så længe køberen er inden for garantiperioden fra den oprindelige købsdato. Den oprindelige forbruger-køber vil være ansvarlig for alle forsendelsesomkostninger for dele, der udskiftes i henhold til betingelserne i denne begrænsede garanti. Denne begrænsede garanti gælder kun i USA og Canada, er kun tilgængelig for den oprindelige ejer af produktet og kan *ikke overdrages*. Producenten kræver et rimeligt bevis på din købsdato. Derfor bør du beholde din salgskvittering og/eller faktura. Hvis enheden er modtaget som en gave, bedes du venligst bede gavegiveren om at indsende kvitteringen på dine vegne til nedenstående adresse. Defekte eller manglende dele, der er omfattet af denne begrænsede garanti, udskiftes ikke uden registrering eller købsbevis. **Denne begrænsede garanti gælder KUN for produktets funktionalitet og dækker ikke kosmetiske ting såsom ridser, buler, korrosioner eller misfarvning på grund af varme, slibende og kemiske rengøringsmidler eller værktøj brugt til montering eller installation af apparatet, overfladerust eller misfarvning af overflader af rustfrit stål. Overfladerust, korrosion eller pulvermalingsafslag på metaldele, som ikke påvirker produktets strukturelle integritet, betragtes ikke som en defekt i udførelse eller materiale og er ikke dækket af denne garanti.** Denne begrænsede garanti refunderer dig ikke omkostningerne ved ulejlighed, mad, personskade eller ejendomsskade. Hvis en original reservedel ikke er tilgængelig, vil en sammenlignelig reservedel blive sendt. Du vil være ansvarlig for alle forsendelsesomkostninger for dele, der udskiftes i henhold til betingelserne i denne begrænsede garanti.

PRODUCENTEN VIL IKKE BETALE FOR:

- Servicebesøg i dit hjem.
- Reparationer, når dit produkt bruges til andet end normal brug i enfamilies-husholdninger eller privat brug.
- Skader som følge af ulykke, ændring, misbrug, manglende vedligeholdelse/rengøring, brand, oversvømmelse, naturkatastrofer, forkert installation og installation, der ikke er i overensstemmelse med el- eller VVS-regler, eller forkert brug af produktet.
- Ethvert madtab på grund af produktfejl.
- Reservedele eller reparationslønomkostninger for enheder, der drives uden for USA eller Canada.
- Afhentning og levering af dit produkt.
- Portogebyrer eller fotobehandlingsgebyrer for billeder indsendt som dokumentation.
- Reparationer af dele eller systemer som følge af uautoriserede ændringer på produktet.
- Fjernelse og/eller geninstallation af dit produkt.
- Forsendelsesomkostninger, standard eller ekspres, for garanti/ikke-garanti og reservedele.

FRASKRIVELSE AF UNDERFORSTÅEDE GARANTIER; BEGRÆNSNING AF RETSMIDLER

Reparation eller udskiftning af defekte dele er din eneste løsning i henhold til betingelserne i denne begrænsede garanti. Producenten er ikke ansvarlig for eventuelle følgeskader eller tilfældige skader, der opstår som følge af brud på enten denne begrænsede garanti eller enhver gældende underforstået garanti, eller for fejl eller skader som følge af naturkatastrofer, ukorrekt pleje og vedligeholdelse, fedtbrand, ulykke, ændring, udskiftning af dele af andre end producenten, misbrug, transport, kommerciel brug, forkert brug, fjendtlige miljøer (uvejr, naturhandlinger, manipulation af dyr), forkert installation eller installation, der ikke er i overensstemmelse med lokale regler eller trykt producentens instruktioner.

DENNE BEGRÆNSEDE GARANTI ER DEN ENESTE UDTRYKKELIGE GARANTI, DER GIVES AF PRODUCENTEN. INGEN SPECIFIKATIONER ELLER BESKRIVELSE AF PRODUKTETS YDEEVNE ER GARANTERET AF PRODUCENTEN, UNDTAGET I DET OMFANG, DER ER ANGIVET I DENNE BEGRÆNSEDE GARANTI. ENHVER UNDERFORSTÅET GARANTIBESKYTTELSE, DER OPSTÅR UNDER ENHVER STATS LOVGIVNING, HERUNDER UNDERFORSTÅET GARANTI OM SALGBARHED ELLER EGNETHED TIL ET BESTEMT FORMÅL ELLER BRUG, ER HERMED BEGRÆNSET I VARIGHED TIL VARIGHEDEN AF DENNE GARANTI.

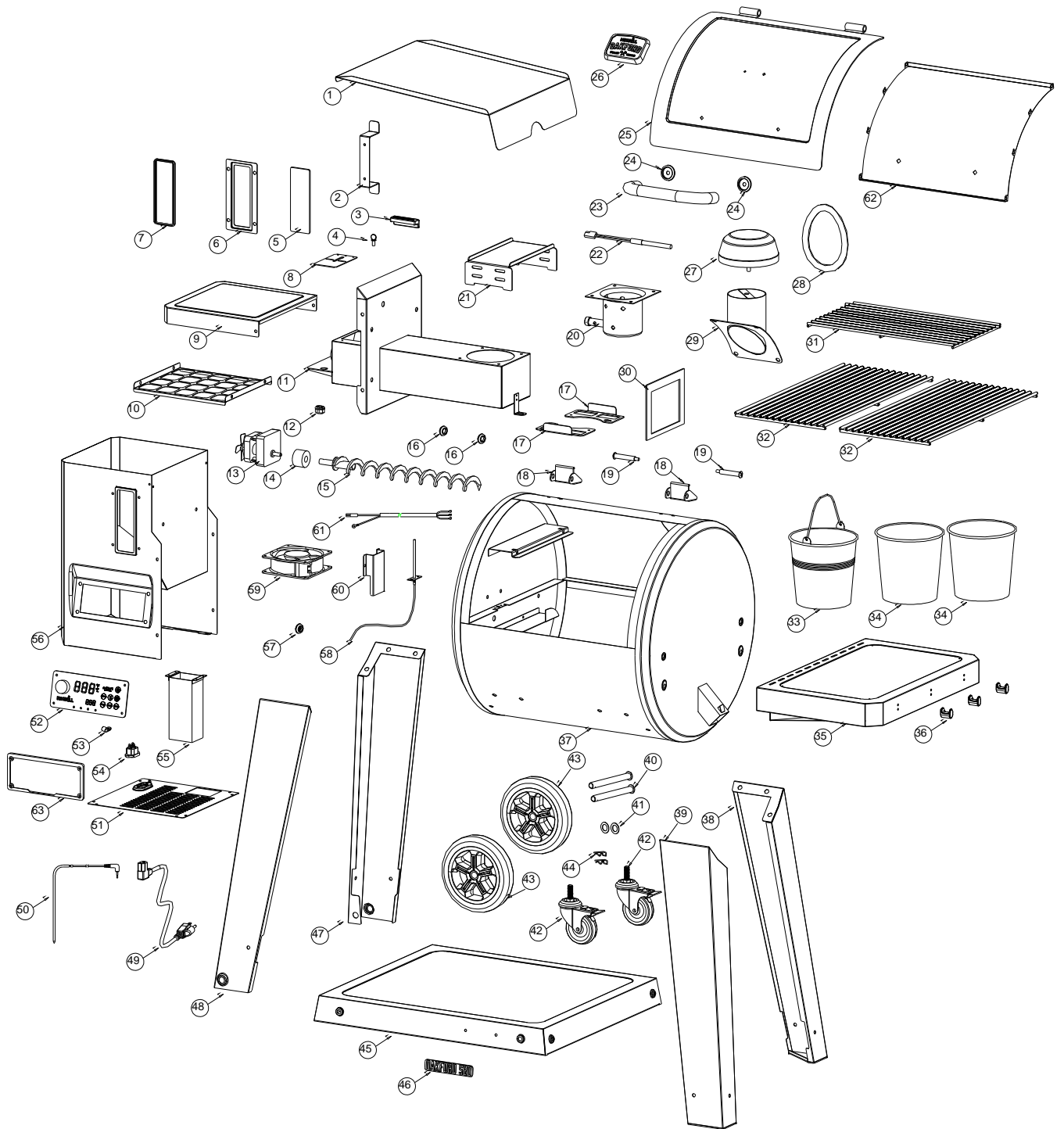
Hverken forhandlere eller detailvirksomheden, der sælger dette produkt, har nogen bemyndigelse til at give yderligere garantier eller love afhjælpning ud over eller i modstrid med ovenstående. Producentens maksimale ansvar skal under alle omstændigheder ikke overstige den dokumenterede købspris for produktet betalt af den oprindelige forbruger. Denne garanti gælder kun for enheder købt hos en autoriseret forhandler og/eller videresælger. **BEMÆRK:** Nogle stater tillader ikke en udelukkelse eller begrænsning af uheldelige skader eller følgeskader, så nogle af ovenstående begrænsninger eller udelukkelse gælder muligvis ikke for dig; denne begrænsede garanti giver dig specifikke juridiske rettigheder som angivet heri. Du kan også have andre rettigheder, som varierer fra stat til stat.

Hvis du ønsker at opnå opfyldelse af en forpligtelse under denne begrænsede garanti, skal du skrive til:

**Nexgrill Customer Relations
14050 Laurelwood Pl
Chino, CA 91710**

Alle forbrugerreturneringer, reservedelsbestillinger, generelle spørgsmål og fejlfindingshjælp kan fås ved at ringe til 1-800-913-8999 i USA og 1-800-648-5864 i Canada, de talte sprog: engelsk, fransk, spansk 8.00-17.00, PST. Mandag-fredag.

RESERVEVEDELE



RESERVEDELE

NR.	DEL (BESKRIVELSE)	GARANTIDÆKNING	QTY	NR.	DEL (BESKRIVELSE)	GARANTIDÆKNING	QTY
1	Fedtbakke	5	1	33	Fedtspand	5	1
2	Strømledningsbeslag	5	1	34	Fedtspandsforing	5	2
3	Faldskakt-pladehåndtag	5	1	35	Sidehylde	5	1
4	Faldskakt-pladeskrue	5	1	36	Krog	5	3
5	Glaserude	5	1	37	Brændkammer	5	1
6	Glaserudebeslag	5	1	38	Vognben, højre bag	5	1
7	Glaserudedeforsegling	5	1	39	Vognben, forreste højre	5	1
8	Pillerensningsdør	5	1	40	Hjulaksel	5	2
9	Beholderlåg	5	1	41	Hjulskiye	5	2
10	Beholdersikkerhedsskærm	5	1	42	Låsehjul	5	2
11	Sneglehus	5	1	43	7" hjul	5	2
12	Strømledningsfastgørelse	5	1	44	Hjul splitpind	5	2
13	Sneglemotor	3	1	45	Bundpanel	5	1
14	Nylonbøsning	5	1	46	Navneskilt (på bundpanelet)	5	1
15	Snegl	3	1	47	Vognben, bagerste venstre	5	1
16	Silikonering A (til motorwire/tændingsstangskabelhul)	5	2	48	Bilben, forreste venstre	5	1
17	Varmediffuserbeslag	5	2	49	Strømkabel	3	1
18	Låghængsel	5	2	50	Kødprøvesonde	3	1
19	Lågstift	5	2	51	Beholderens bundpanel	5	1
20	Brændkammer	5	1	52	Controller	3	1
21	Varmediffusor	5	1	53	Kabelclips	5	1
22	Tændingsstang	5	1	54	Han-adapter	5	1
23	Låghåndtag	5	1	55	Pilleskakt	5	1
24	Låghåndtagskant	5	2	56	Beholder	5	1
25	Hovedlåg	5	1	57	Silikonering B (til kødsondehul)	5	1
26	Navneskilt (på låg)	5	1	58	RTD	3	1
27	Skorstenshætte	5	1	59	Blæser	3	1
28	Skorstenspakning	5	1	60	RTD-dæksel	5	1
29	Skorsten	5	1	61	Controller-kabel	5	1
30	Beholderhuspakning	5	1	62	Låg varmeskjold	5	1
31	Varmestativ	3	1	63	Controller-indfatning	5	1
32	Grillrist	3	2				

WICHTIGE SICHERHEITSINFORMATIONEN

WARNUNG! Halten Sie sich an diese Anweisungen, um zu verhindern, dass dieses farb- und geruchlose Gas weder Sie, noch Ihre Familie oder Dritte vergiftet:

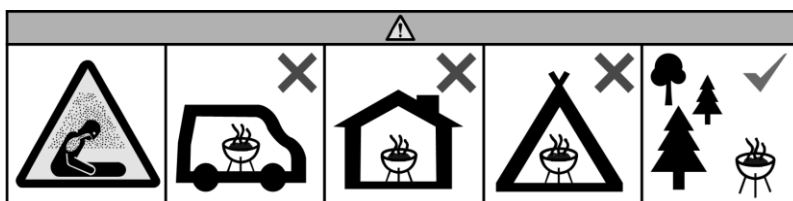
- Führen Sie sich die Symptome einer Kohlenstoffmonoxid-Vergiftung vor Augen: Kopfschmerzen, Schwindel, Schwäche, Übelkeit, Erbrechen, Müdigkeit und Verwirrung. Kohlenstoffmonoxid senkt die Fähigkeit des Bluts, Sauerstoff zu transportieren. Geringe Sauerstoffwerte im Blut können zu Ohnmacht und sogar zum Tode führen.
- Falls Sie oder andere beim Kochen oder in der Nähe dieses Geräts Symptome entwickeln, die denen einer Erkältung oder Grippe ähneln, sollten Sie einen Arzt aufsuchen. Eine Kohlenstoffmonoxidvergiftung kann leicht für eine Erkältung oder Grippe gehalten werden und wird häufig zu spät erkannt.
- Alkoholkonsum und Drogengebrauch können die Auswirkung einer Kohlenstoffmonoxidvergiftung noch verstärken.

Kohlenstoffmonoxid ist vor allem für Mutter und Kind während einer Schwangerschaft, für Kleinkinder, ältere Menschen, Raucher und Menschen mit Blut- oder Kreislaufproblemen wie Anämie oder Herzkrankheiten giftig.



Fragen, Probleme, fehlende Teile?

Bevor Sie das Produkt zurückgeben, rufen Sie unseren Kundendienst unter der Nummer +1-800-913-8999 (USA) oder der Nummer 1-800-648-5864 (Kanada) an. Englisch, Französisch, Spanisch, 8:00 bis 17:00 Uhr, PST. Montag – Freitag. CustomerService@GrillServices.com



WARNUNG! Verwenden Sie den Grill nicht in engen Räumen und / oder im Wohnraum, beispielsweise seinem Haus, einem Zelt, einem Wohnanhänger, in einem Reisemobil oder auf Booten. Todesgefahr durch eine Kohlenstoffmonoxidvergiftung.

WARNUNG! Im Falle eines Brandes:

- Halten Sie sich von dem Gerät fern und kontaktieren Sie sofort die örtliche Feuerwehr.
- Versuchen Sie nicht, das Gerät zu bewegen, das Feuer zu ersticken oder mit Wasser zu löschen.
- Halten Sie das Gerät sauber – Halten Sie sich dabei an die Pflege- und Wartungsanweisungen.

ACHTUNG! Verwenden Sie niemals Benzin, benzinähnlichen Laternenbrennstoff, Kerosin, Feuerzeugflüssigkeit oder ähnliche Flüssigkeiten, um ein Feuer im Gerät in Gang zu bringen oder zu verstärken. Halten Sie diese Flüssigkeiten vom Gerät fern, wenn Sie es verwenden.

WARNUNG! Dieser Grill wird sehr heiß. Während des Betriebs nicht bewegen.

EIN WESENTLICHER GRUND FÜR BRÄNDE FINDET SICH DARIN, DASS DIE ERFORDERLICHEN ABSTÄNDE (LUFTRÄUME) ZU BRENNBAREM MATERIAL NICHT EINGEHALTEN WERDEN. ES IST ÄUSSERST WICHTIG, DASS DIESES PRODUKT AUSSCHLIESSLICH ENTSPRECHEND DIESEN ANWEISUNGEN INSTALLIERT WIRD.

WARNUNG!

- Verwenden Sie keine für Heizungen vorgesehenen Pellets. Verwenden Sie nur für Kochen geeignete Pellets, die zu 100 % aus natürlichem Holz hergestellt sind, und die für die Verwendung in Pellet-Grills vorgesehen sind.
- Wir empfehlen Pellets mit den folgenden Spezifikationen: 8.000 – 8.500 BTU/LB mit einem Ascheanteil unter 1 %.
- Verwenden Sie keine Pellets, die nachweislich über Zusatzstoffe verfügen.
- Verwenden Sie keine Holzchips oder Holzstücke im Trichter.
- Verwenden Sie nur Trockenpellets. Wenn der Grill mit gefülltem Trichter gelagert wurde, sehen Sie vor der Verwendung nach, ob die Pellets vollständig trocken sind. Pellets aus Hartholz können in feuchten Umgebungen Feuchtigkeit absorbieren, so dass sie sich vergrößern und möglicherweise die Förderschnecke blockieren.
- Der Trichter darf nie leer sein, wenn der Grill in Betrieb ist. Achten Sie darauf, dass der Pellet-Trichter immer mit ausreichend vielen Pellets gefüllt ist, und füllen Sie ihn je nach Bedarf wieder auf.

CALIFORNIA PROPOSITION 65

NUR FÜR BEWOHNER VON KALIFORNIEN:



WARNUNG! Dieses Produkt setzt Sie möglicherweise Chemikalien aus, einschließlich Holzstaub und Ruß, welche dem Staate Kalifornien als krebserzeugend bekannt sind.



WARNUNG! Dieses Produkt setzt Sie möglicherweise Chemikalien aus, einschließlich Kohlenstoffmonoxid, welche dem Staate Kalifornien als Verursacher von Geburtsdefekten oder anderen Erbschäden bekannt sind.

Weitere Informationen finden Sie unter: www.P65Warnings.ca.gov.

SICHERHEITSMASSNAHMEN, UM VERLETZUNGEN ZU VERMEIDEN

Wenn Sie Ihren Grill gut pflegen, wird er Ihnen jahrelang sicher und zuverlässig dienen. Sie müssen ihn jedoch sehr gut pflegen, da der Grill enorme Hitze erzeugt, die gegebenenfalls zu Verletzungen führen kann. Wenn Sie dieses Gerät verwenden, müssen Sie sich an die grundlegenden Sicherheitspraktiken halten, einschließlich des Folgenden:

- Reparieren Sie keine Teile des Grills und tauschen Sie sie nicht aus, falls dies in diesem Handbuch nicht ausdrücklich angegeben ist. Alle anderen Dienste sollten einem qualifizierten Techniker überlassen werden.
- Dieses Kochgerät für draußen ist nicht für die Montage in oder auf Booten oder anderen Freizeitfahrzeugen vorgesehen.
- Verwenden Sie diesen Grill nicht unter brennbaren Bauten, einschließlich Decken oder Überhänge.
- **WARNUNG!** Halten Sie Kinder und Tiere vom Grill fern. Kinder sollten in Bereichen, in denen der Grill verwendet wird, nicht alleine oder unbeaufsichtigt gelassen werden. Achten Sie darauf, dass die Kinder zu keinem Zeitpunkt auf dem Grill sitzen, stehen oder in dessen Nähe spielen.
- Dieses Gerät kann von Kindern ab 8 Jahren und von Personen mit eingeschränkten physischen, sensorischen oder geistigen Fähigkeiten oder fehlender Erfahrung und Kenntnis verwendet werden, wenn diese beaufsichtigt oder über die sichere Verwendung des Geräts unterrichtet werden, und sich über die entsprechenden Gefahren im Klaren sind. Kinder dürfen nicht mit dem Gerät spielen. Kinder dürfen ohne Aufsicht keine Reinigungs- und Wartungsaufgaben übernehmen.
- Wenn das Netzkabel beschädigt ist, muss es durch ein besonderes Kabel oder eine besondere Baugruppe des Herstellers oder des Handelsvertreters ersetzt werden.
- Bewahren Sie keine Gegenstände in der Nähe oder unter dem Grill auf, die für Kinder interessant sein könnten.
- Tragen Sie zur Sicherheit ordentliche Kleidung. Sie sollten niemals lockere Kleidung oder weite Ärmel tragen, wenn Sie mit diesem Gerät arbeiten. Einige synthetische Gewebe sind hochentzündlich und **dürfen** während des Kochens **nicht getragen** werden.
- Verwenden Sie stets hitzebeständige Handschuhe oder Ofenhandschuhe, wenn Sie mit heißen Bauteilen arbeiten.
- Berühren Sie bei der Nutzung des Grills nicht die Warmhalteplatte, den Grillrost oder dessen Umgebung, da diese äußerst heiß werden und Verbrennungen verursachen können. Verwenden Sie nur trockene Topflappen. Feuchte oder nasse Topflappen können auf heißen Oberflächen zu Dampfverbrennungen führen. Verwenden Sie anstelle von Topflappen kein Handtuch oder übrige Tücher. Achten Sie darauf, dass die Topflappen keine heißen Stellen am Grillrost berühren.
- Nur bestimmte Arten von Glas, hitzebeständiger Glaskeramik, Steingut oder anderen glasierten Geräten sind für einen Grill zulässig. Diese Materialien können bei plötzlichen Temperaturschwankungen zerbrechen. Verwenden Sie sie daher nur bei geringer oder mittlerer Hitze und entsprechend den Richtlinien des Herstellers.
- Erhitzen Sie keine ungeöffneten Lebensmittelbehälter. Ein Druckaufbau kann dazu führen, dass die Behälter platzen.

SICHERHEITSMASSNAHMEN, UM VERLETZUNGEN ZU VERMEIDEN

- Lehnen Sie sich niemals über einen offenen Grill.
- Fett ist brennbar. Lassen Sie heißes Fett abkühlen, bevor Sie damit arbeiten. Reinigen Sie die Fettschale und den Fetteimer häufig, um Ablagerungen zu vermeiden.
- Verwenden Sie kein Wasser gegen Stichflammen oder zum Löschen. Schalten Sie den Grill ab, ziehen Sie das Netzkabel ab und warten Sie, bis sich der Grill abgekühlt hat.
- Achten Sie darauf, dass die Fettvorrichtung immer richtig montiert ist, wenn Sie mit dem Grill arbeiten. Arbeiten Sie niemals ohne einen Fetteimer unter der Seitenablage.
- Entfernen Sie Asche nachdem der Grill nach dem Abschalten komplett abgekühlt ist. Warten Sie, bis Fett und Asche komplett abgekühlt sind, bevor Sie sie entsorgen.
- Warten Sie, bis der Treibstoff erloschen und der Grill vollständig abgekühlt ist, bevor Sie den Grill bewegen, abdecken oder lagern.
- Decken Sie den Rost oder den Boden des Grills nicht mit Alufolie ab. Dies kann dazu führen, dass die Verbrennung ins Stocken gerät oder dass überschüssige Hitze nicht aus dem Steuerbereich entweichen kann.
- Reinigen Sie den Grill vorsichtig. Verwenden Sie keinen feuchten Schwamm und kein feuchtes Tuch, um den heißen Grill zu reinigen, da dies zu Verbrennungen durch heißen Dampf führen kann. Einige Reinigungsmittel verursachen giftige Dämpfe oder können in Brand geraten, wenn sie auf heißen Oberflächen verwendet werden.
- Schalten Sie die Steuerung des Grills ab und achten Sie darauf, dass der Grill abgekühlt ist, bevor Sie Aerosol-Reiniger am oder in der Nähe des Grills verwenden. Die Chemikalien, die für den Sprüheffekt verantwortlich sind, können sich bei Hitze entzünden oder dazu führen, dass die Metallteile rosten.
- Halten Sie den Bereich um den Grill frei von brennbaren Materialien, einschließlich Flüssigkeiten, Abfällen und Dämpfen, wie Benzin oder Feuerzeugflüssigkeit. Blockieren Sie nicht die Luftwege zum Brenner und zur Belüftung.
- Um die Brandgefahr zu senken, entfernen Sie Töpfe und Pfannen, solange das Gerät unbeaufsichtigt ist.
- Verwenden Sie kein Zubehör, das nicht für das Gerät zugelassen ist.
- Die Verwendung von Alkohol, verschreibungspflichtigen oder nichtverschreibungspflichtigen Medikamenten kann sich auf die Fähigkeit auswirken, das Gerät sachgemäß zu montieren oder sicher zu verwenden.
- Entsorgung der Asche – Asche sollte in einem Metallbehälter mit fest verschließbarem Deckel entsorgt werden. Der mit Asche gefüllte, geschlossene Behälter sollte auf einem nicht brennbaren Boden platziert werden, abseits von brennbarem Material, solange er auf die endgültige Entsorgung wartet. Wenn die Asche in Erde vergraben oder auf sonstige Weise lokal entsorgt wird, sollte sie im geschlossenen Behälter bleiben, bis alle Brandherde gründlich abgekühlt sind.

ADVARSEL: ELEKTRISKE KOMPONENTER

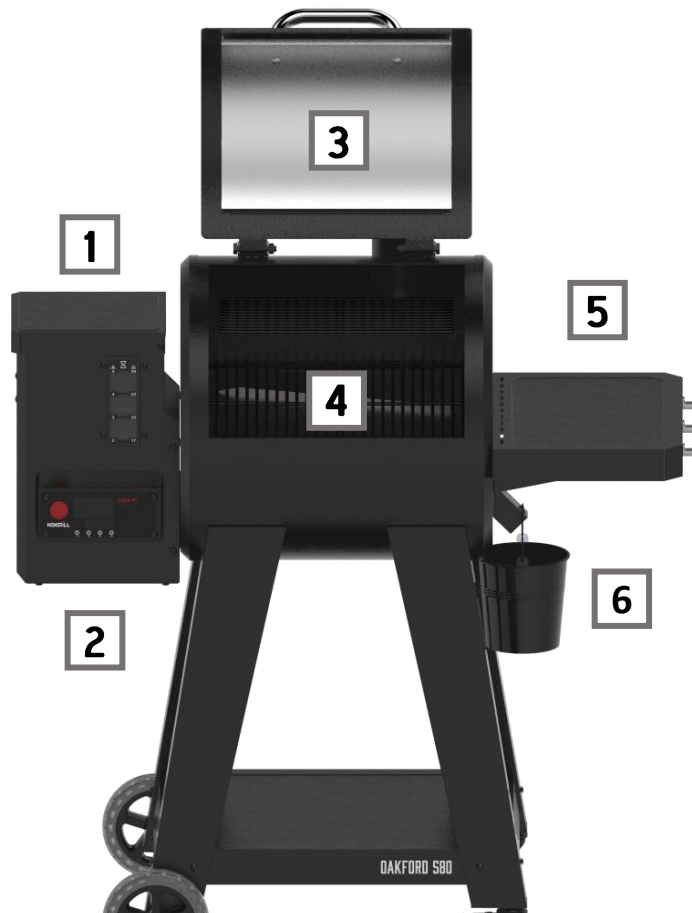


- Trennen Sie den elektrischen Strom, bevor Sie Wartungsarbeiten vornehmen. Reinigen oder reparieren Sie den Grill nicht, solange er an eine elektrische Stromquelle angeschlossen ist.
- Die externe elektrische Stromquelle für dieses Gerät muss elektrisch geerdet sein und den örtlichen Vorschriften entsprechen.
- Überprüfen Sie die Steckdose vor der Nutzung. Den Grill nicht einstecken, wenn sie beschädigt ist.
- Achten Sie darauf, dass das Netzkabel nicht in Kontakt mit heißen Oberflächen gerät.
- Der Erdungsstift des Steckers darf NICHT abgeschnitten, oder entfernt werden. Verwenden Sie ausschließlich eine Fehlerstromschutzschaltung, um den Grill zu betreiben.
- Wenn Sie den Grill mit Hochspannung betreiben, kann dies zu einem elektrischen Schlag oder gar zum Tode führen. Tauchen Sie keine elektrischen oder Heizelemente in Flüssigkeit. Nicht in der Nähe von Wasserquellen oder im Regen verwenden.
- Ziehen Sie nicht einfach am Kabel, wenn Sie den Grill ausstecken. Ziehen Sie immer direkt am Stecker.



ACHTUNG:

Montieren oder verwenden Sie den Grill nicht näher als 24 Zoll (60,96 cm) von brennbaren Materialien entfernt, die sich hinter oder seitlich des Grills befinden. Der Grill sollte nicht unter einer Oberfläche aufgestellt werden, die Feuer fangen kann (geschlossenes Carport, Garage, Veranda, Terrasse).



1 TRICHTER

Der großräumige Trichter ist mit einer hinteren Klappe ausgestattet, über die Sie die Pelletkammer reinigen können, und er kann genug Pellets halten, um eine ganztägige Smoking-Session abzuhalten. Die I-Site™ Pelletanzeige zeigt an, für wie viele Stunden die Pellets im Trichter reichen, abhängig vom Kochmodus.

2 DIGITAL-STEUERREGLER

Die Wi-Fi- und Bluetooth® + aktivierte SureTemp™-Steuerung mit eingebauter präziser Temperatursteuertechnik kann verwendet werden, um Temperatur, Timer und Kochoptionen einzustellen und zu ändern. Das komplette Oakford™-Erlebnis erfahren Sie, wenn Sie sich mit der NEX-Fi-App verbinden. Anweisungen finden Sie im Abschnitt „Verbindung mit dem Wi-Fi-Netzwerk und Bluetooth® +“.

3 DECKEL UND FEUERRAUM

Die extrem temperaturbeständige Beschichtung schützt gegen Rost und das Entstehen von Rissen im Laufe der Zeit, damit Ihr Grill länger gut aussieht. Die Dichtung um den Deckel fängt den Rauch ein, was Ihren Gerichten einen etwas rauchigeren Geschmack verleiht.

4 GROßER KOCHBEREICH

Die porzellanbeschichteten, leicht zu reinigenden Roste sind groß genug, um all Ihre Gäste zu bedienen. Die obere Warmhalteplatte kann entfernt werden, damit Sie größere Fleischstücke unterbringen können.

5 VORBEREITUNGSFLÄCHE

Die vorderen und / oder seitlichen Ablagen bieten ausreichend Platz für Ihre Lebensmittel; links haben Sie noch ausreichend Platz für Ihre Kochutensilien, saisonale Gewürze oder kalte Getränke. An der Seitenablage befinden sich drei Haken, an denen Sie Ihr Grillbesteck oder die Handschuhe aufhängen können. Bei Modellen mit Ablage vorne, kann diese ganz einfach geschlossen werden, indem Sie sie hochziehen und herunterklappen.

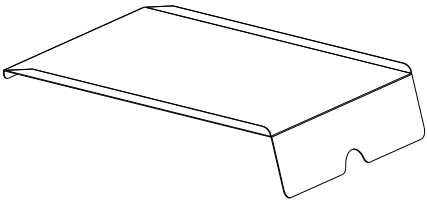
6 FETTSYSTEM

Wenn Fett auf die Fettschale tropft, fließt es in den Eimer. Wir empfehlen Ihnen Aluminium-Abdeckung in den Fetteimer einzulegen, damit Sie ihn schnell und einfach reinigen können.

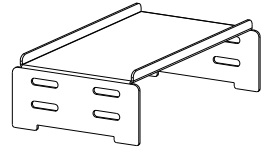
+ Bluetooth® ist ein eingetragenes Warenzeichen der Bluetooth Special Interest Group (SIG).

BAUTEILLISTE

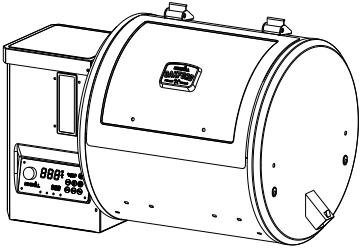
1



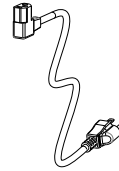
2



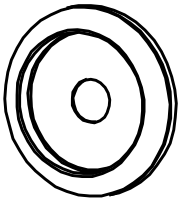
3



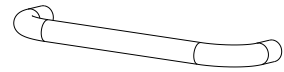
4



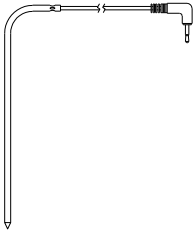
5 X2



6



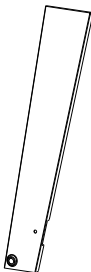
7



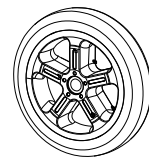
8



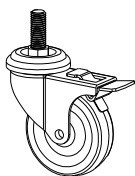
9



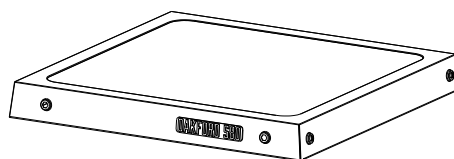
10 X2



11 X2



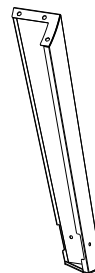
12



13



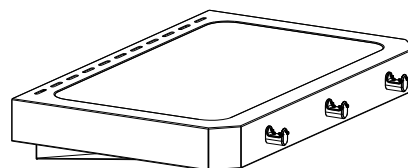
14



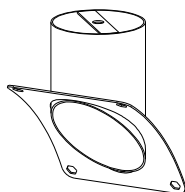
15



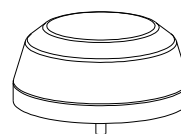
16



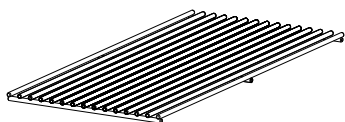
17



18



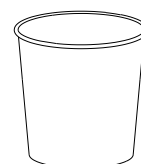
19 X2



20



21 X2



MONTAGEANLEITUNG



VORBEREITUNG:

Bevor Sie mit dem Aufbau, der Installation oder dem Betrieb des Produkts beginnen, stellen Sie sicher, dass alle Teile vorhanden und unbeschädigt sind. Vergleichen Sie die Teile mit der Liste der Verpackungsinhalte und den oben gezeigten Abbildungen. Falls irgendein Teil fehlt oder beschädigt ist, versuchen Sie nicht, das Produkt aufzubauen, zu installieren oder zu bedienen. Falls Sie Ersatzteile benötigen, wenden Sie sich bitte an den Kundendienst.

LESEN SIE ALLE SICHERHEITSWARNUNGEN, AUFBAU- UND INSTALLATIONSANLEITUNGEN SORGFÄLTIG DURCH, BEVOR SIE VERSUCHEN, DAS GERÄT AUFZUBAUEN.

HARDWARE

A X26



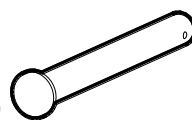
B X26



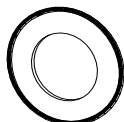
C X26



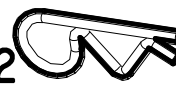
D X2



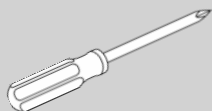
E X2



F X2



NOTWENDIGES WERKZEUG (NICHT IM LIEFERUMFANG ENHALTEN)



Kreuzschlitzschraubenzieher

BEI EINIGEN BAUTEILEN SIND DIE SCHRAUBEN BEREITS INSTALLIERT. LOCKEN UND ZIEHEN SIE SIE BEI DER ENDGÜLTIGEN MONTAGE FEST.

TIPPS:

- Einige Schritte müssen von zwei Personen durchgeführt werden.
- Bauen Sie den Grill auf einer flachen, ebenen Oberfläche auf.

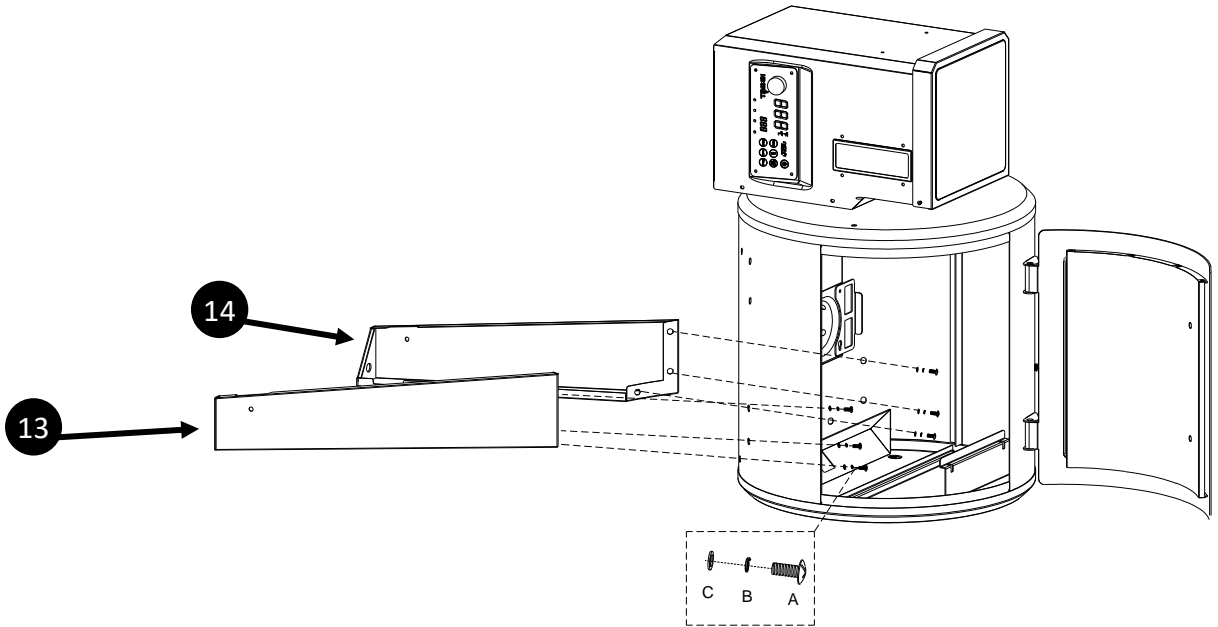


ACHTUNG!

Eine unvollständige oder unsachgemäße Montage kann gefährlich sein. Verwenden Sie den Grill nicht, wenn Bauteile fehlen. Der Grill muss sorgfältig gemäß den Herstelleranweisungen montiert werden.

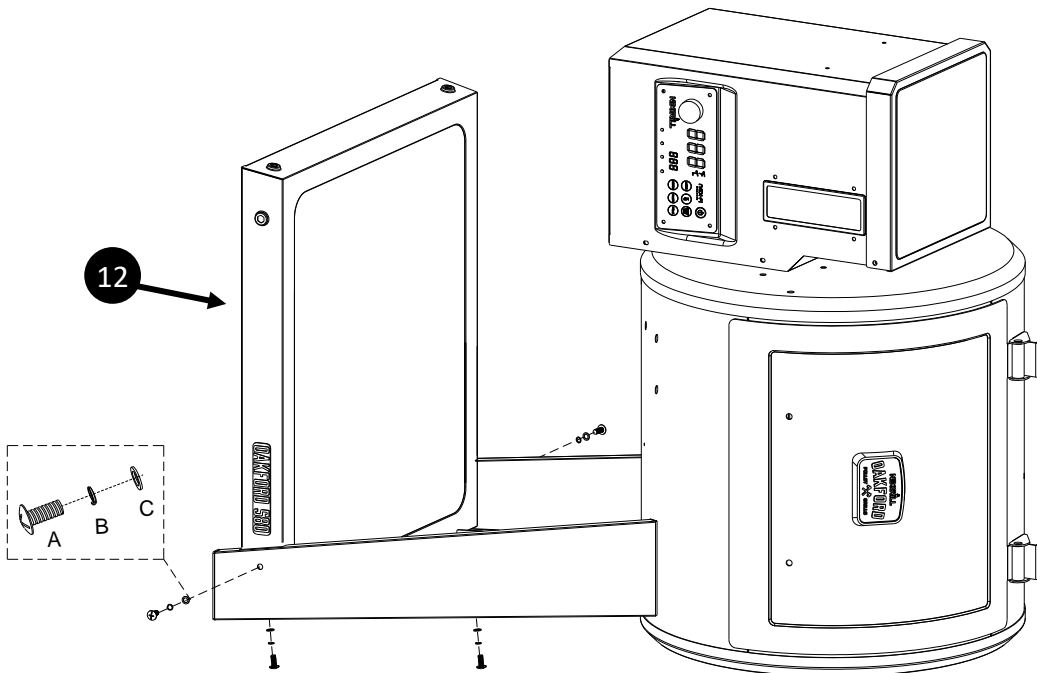
1

A×6 B×6 C×6



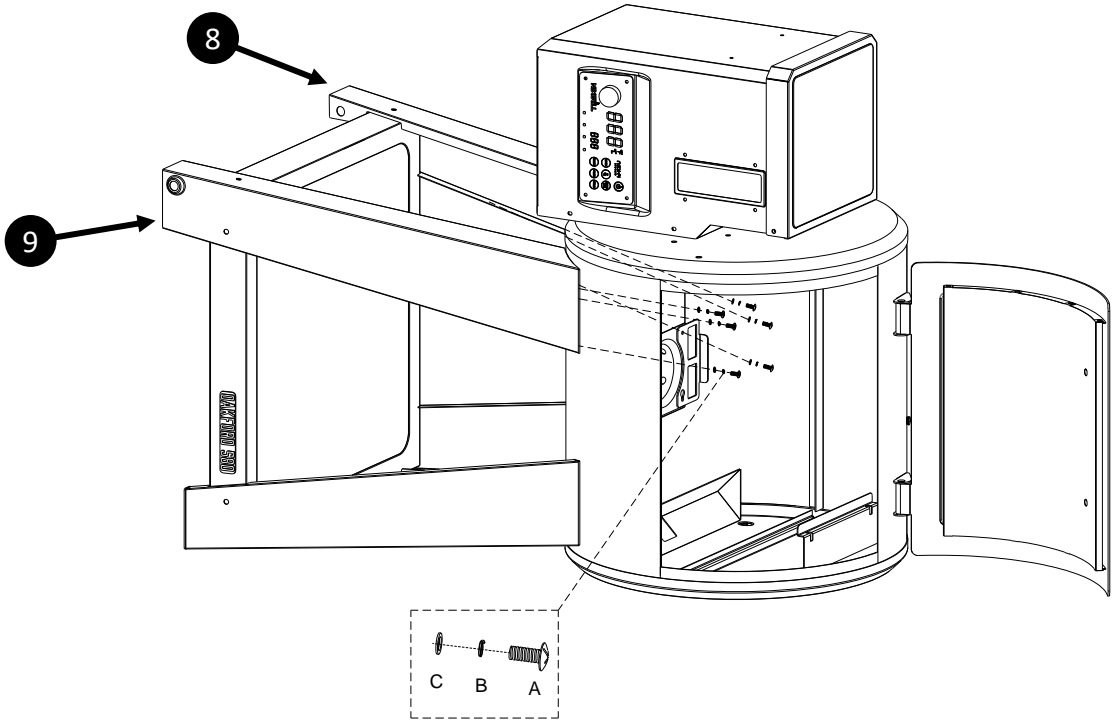
2

A×4 B×4 C×4



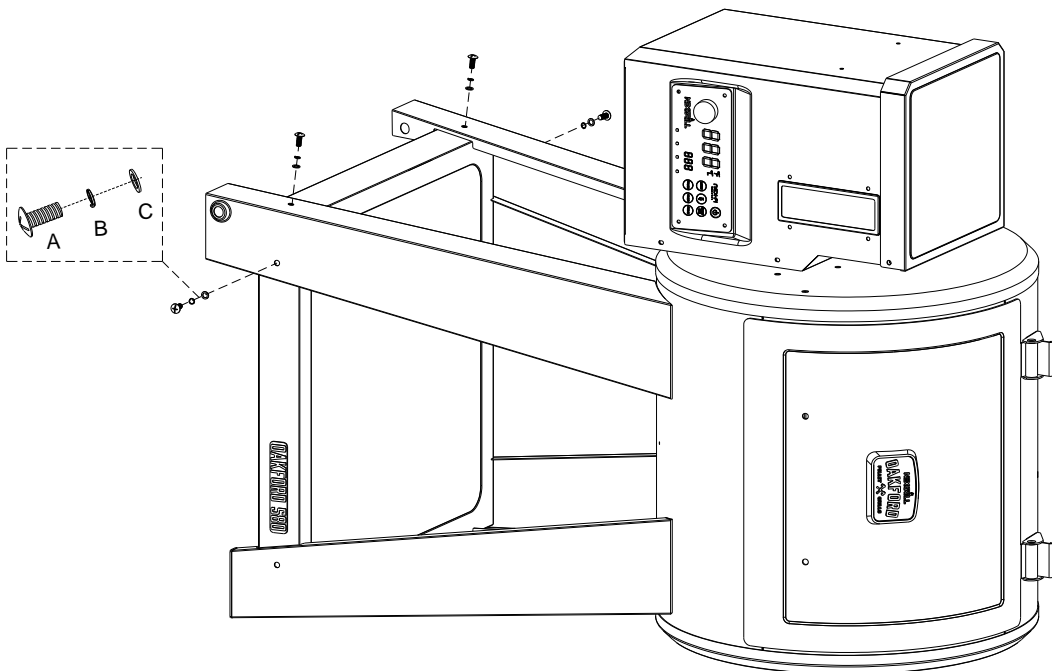
3

A×6 B×6 C×6



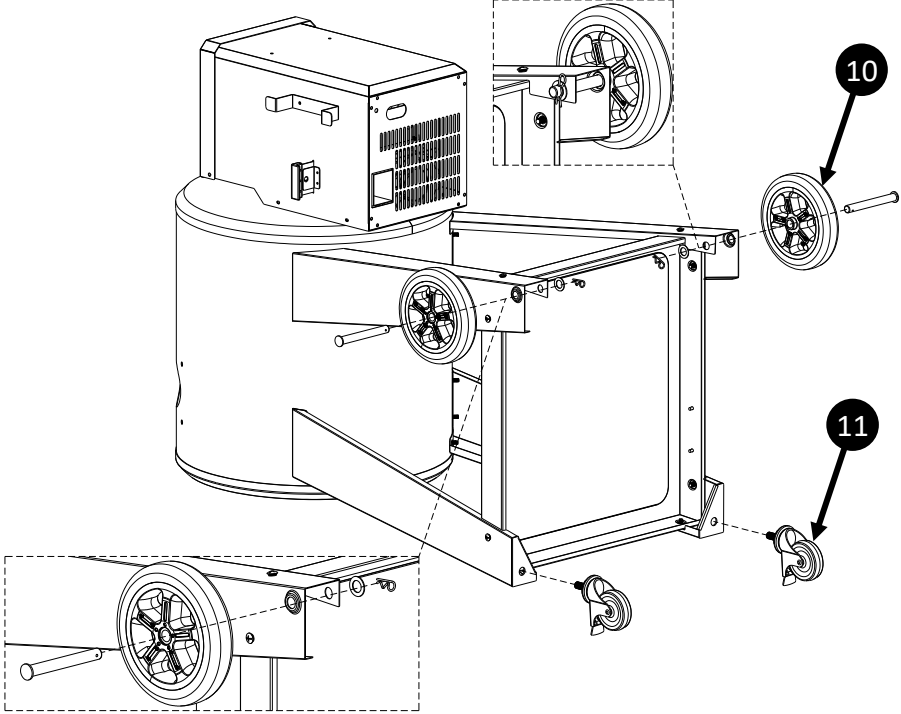
4

A×4 B×4 C×4

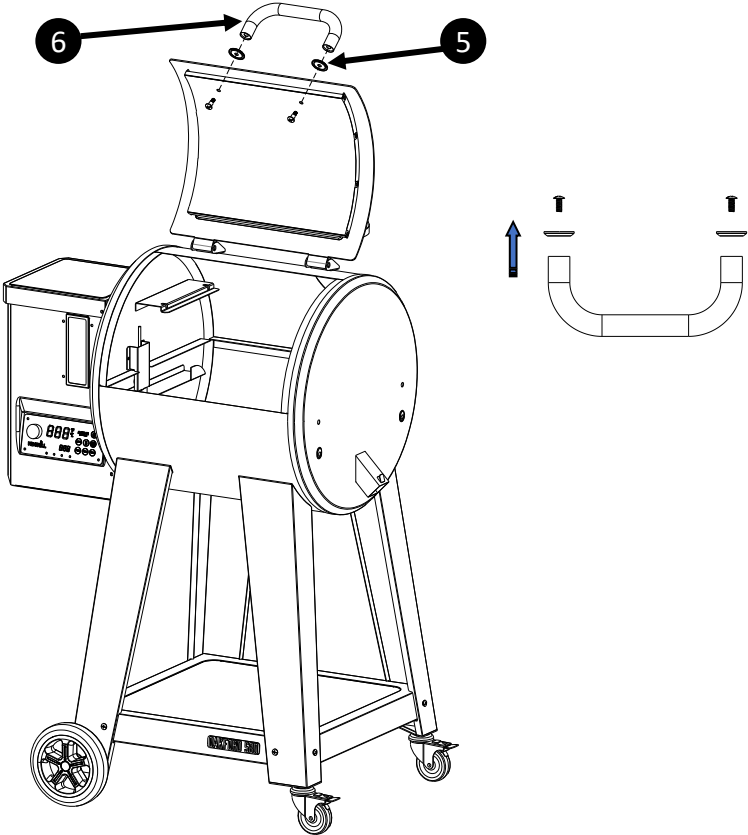


5

D×2 E×2 F×2

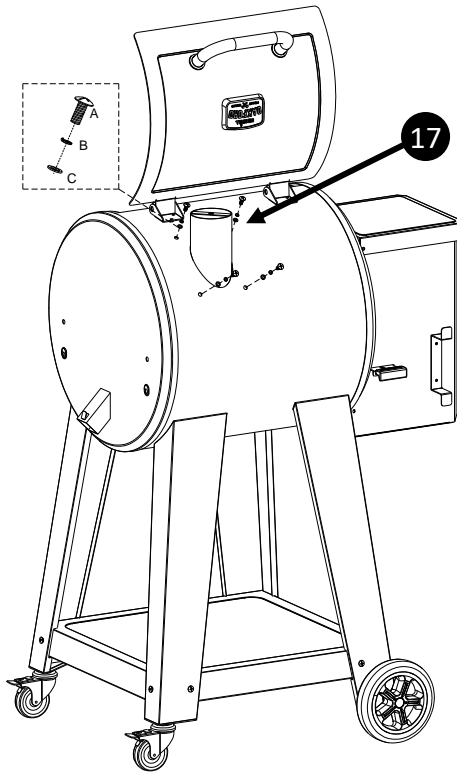


6

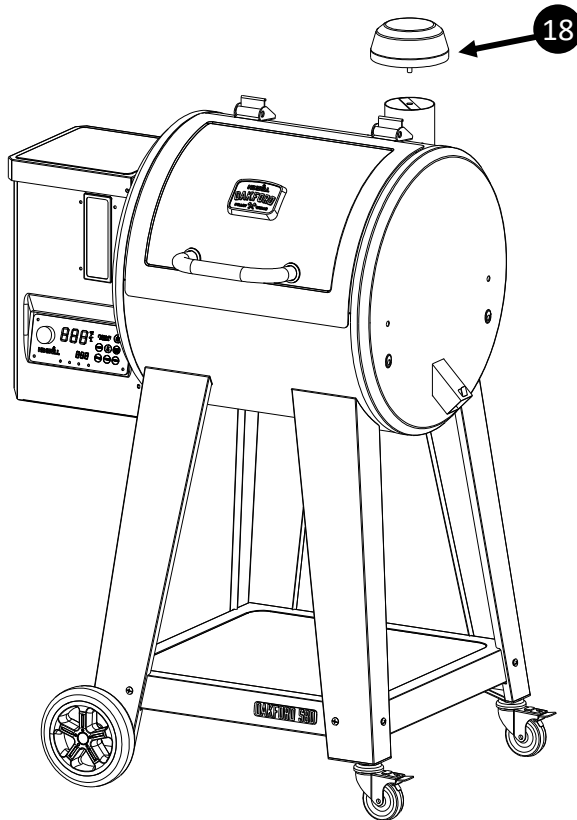


7

A×4 B×4 C×4

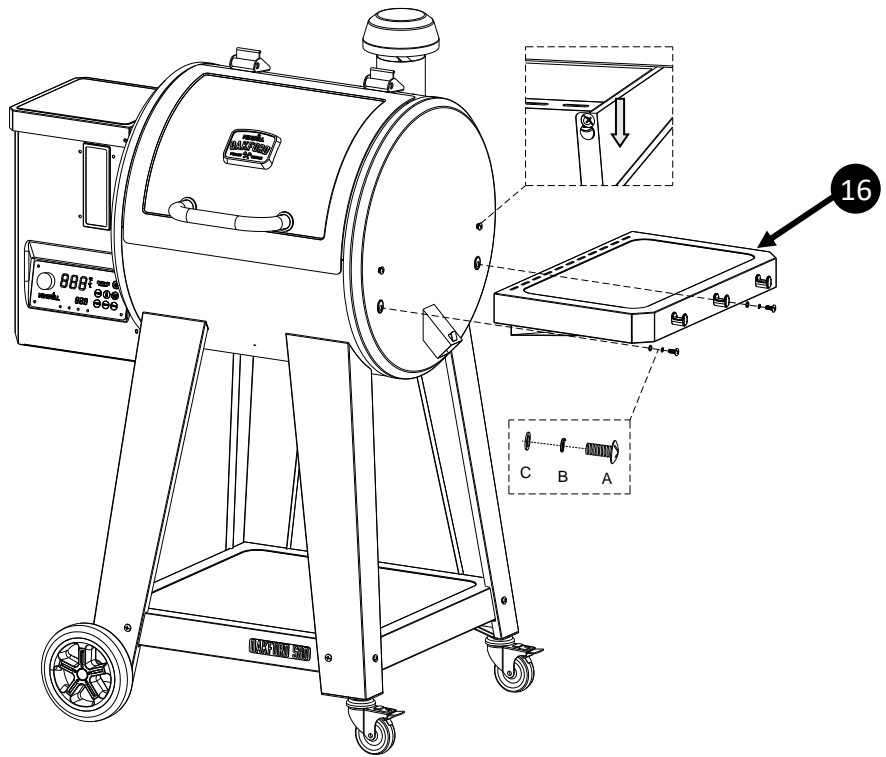


8

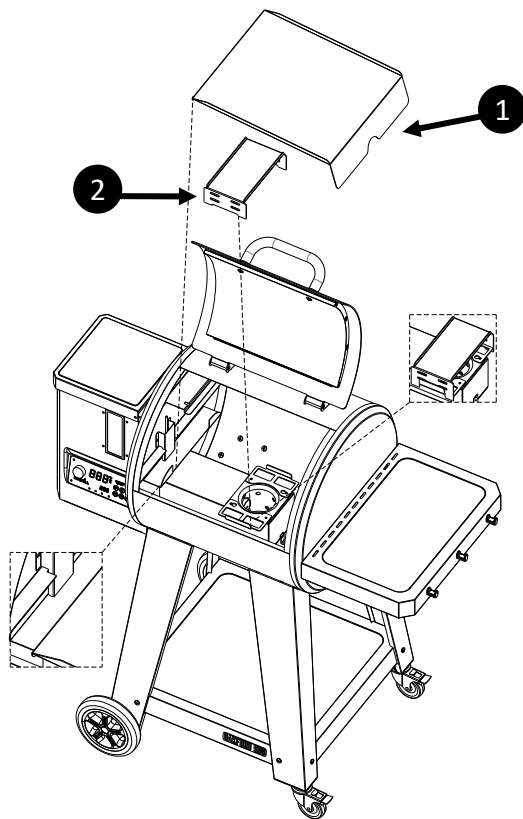


9

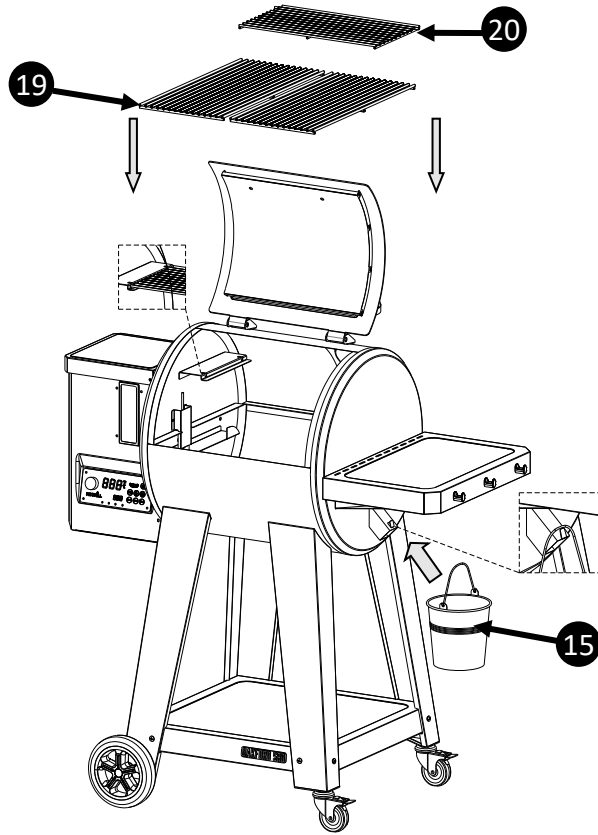
A×2 B×2 C×2



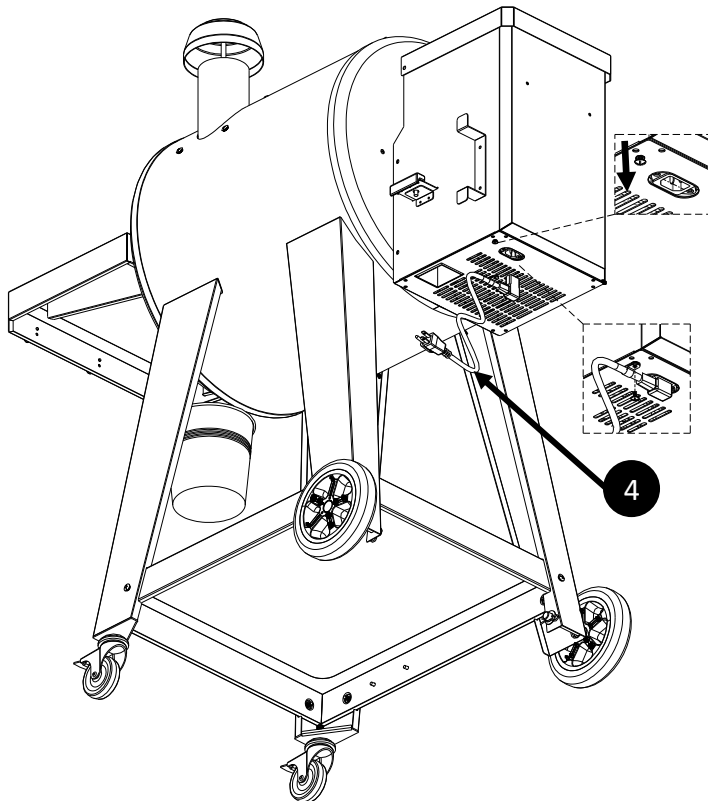
10

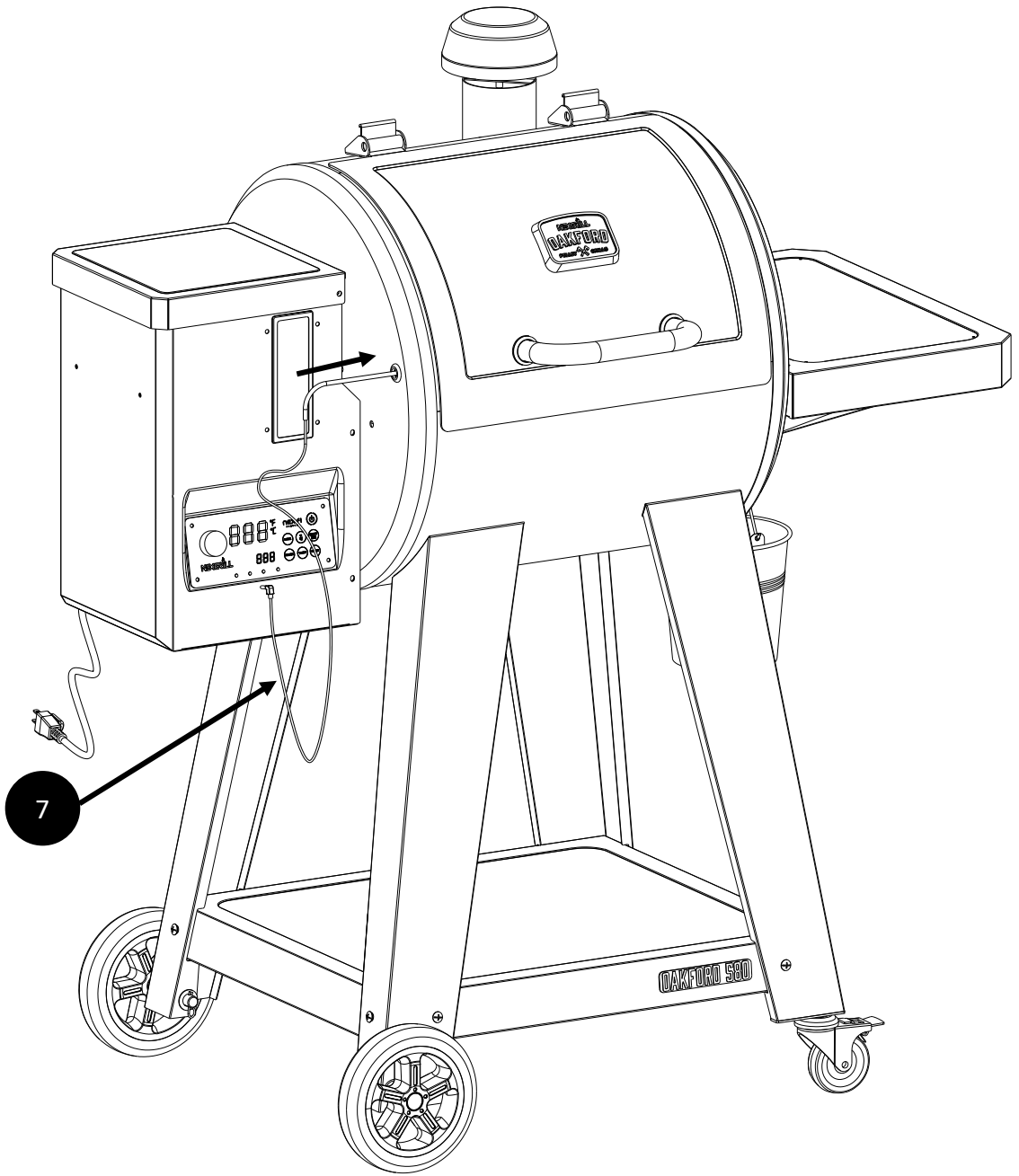


11

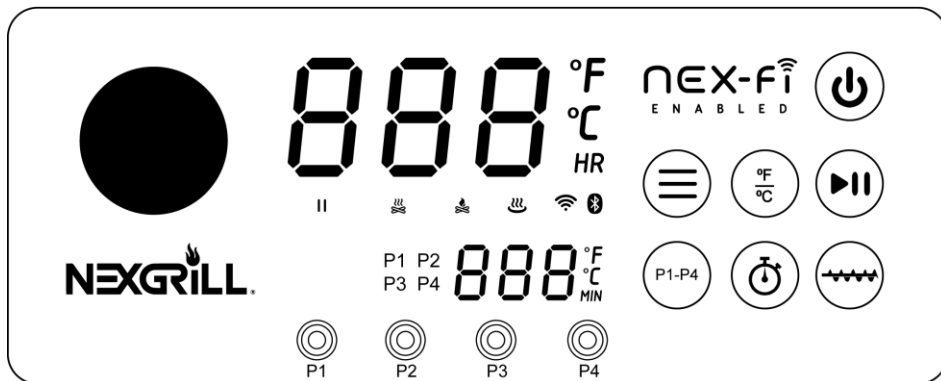


12





ANLEITUNG ZUM STEUERREGLER



DREHREGLER

Mit Hilfe dieses Drehreglers können Sie die Werte für den Timer, die Fleischsondentemperatur und die Grilltemperatur einstellen. Drücken Sie den Drehregler, um den neuen Zielwert festzulegen. Die Grilltemperatur kann in 5 °F (3 °C)-Schritten eingestellt werden. Drücken Sie während des Kochens auf den Knauf, um die aktuell eingestellte Grilltemperatur anzuzeigen.




NETZTASTE

Hiermit können Sie den Steuerregler einschalten. Wenn der Kochvorgang abgeschlossen ist, drücken Sie die Taste erneut, um die automatische Abschaltung durchzuführen.



MODE

Mit dieser Taste können Sie zwischen den drei voreingestellten Betriebsmodi umschalten. Drücken Sie den Drehregler, um die Modusauswahl mit der Standardtemperatur zu bestätigen, oder stellen Sie die gewünschte Temperatur mit dem Drehregler ein.

	RAUCHMODUS Die Voreinstellungen dieses Programms stehen auf langsamem Rauchmodus und eine Standard-Temperatur von 225 °F (107 °C).
	GRILL-MODUS Der PID-Algorithmus des Programms sorgt für eine präzise Temperaturkontrolle und die Standardtemperatur ist auf „HI“ eingestellt (über 550 °F (288 °C), je nach Modell).
	WARMHALTEMODUS Dieser Modus hat eine Voreinstellung von 180 °F (82 °C) und wird vor allem dazu verwendet, um Lebensmittel warm zu halten. Falls gewünscht, wechselt der Grill automatisch in den Warmhaltemodus, wenn P1 die Solltemperatur erreicht hat.



TEMPERATUREINHEIT

Drücken Sie diese Taste, um die Temperaturskala zwischen Fahrenheit und Celsius umzuschalten.



PLAY/PAUSE

Diese Taste wird anfangs verwendet, um den Zündprozess zu starten. Sobald ein Kochmodus ausgewählt wird, kann man während des Kochens mit dieser Funktion das Programm anhalten. Dadurch wird verhindert, dass aufgrund eines Temperaturabfalls zu viele Pellets in die Schnecke geraten (beispielsweise wenn der Deckel geöffnet wird). Bei der Pausierung, oder wenn das Gerät eingeschaltet wird, wechselt der Grill in den Standby-Modus und das Symbol „(Pause)“ leuchtet auf.

Drücken Sie es erneut, um das letzte Programm fortzusetzen. Falls Sie innerhalb von 5 Minuten keine Aktion ausführen, fährt der Grill herunter.



SONDEN

Der Oakford Pellet Grill verfügt über vier Temperatursonden, mit denen Sie unterschiedliche Lebensmittel perfekt kochen können. Drücken Sie auf die Taste, um alle angeschlossenen Sonden zu durchlaufen. Sobald der Index angezeigt wird (P1, P2, usw.) halten Sie die Taste drei Sekunden lang gedrückt, um die Solltemperatur festzulegen. Mit dem Drehregler können Sie die Temperatur einstellen und ihn dann drücken, um den Wert festzulegen.



TIMER

Drücken Sie diese Taste, um die Minuten und Stunden des Timers einzustellen. Der Steuerregler lässt einen Alarm ertönen, wenn die Zeit abgelaufen ist.

Einstellen eines Timers:

1. Drücken Sie die Taste. Die untere Nummernanzeige blinkt. Stellen Sie den Minutenwert mit dem Drehregler ein. Drücken Sie den Drehregler, um den Wert festzulegen.
2. Jetzt blinkt die obere Nummernanzeige. Stellen Sie den Stundenwert mit dem Drehregler ein. Drücken Sie den Drehregler, um den Wert zu bestätigen und den Timer zu starten.

Die Symbole „HR“ und „MIN“ blinken, und deuten damit an, dass der Timer läuft. Drücken Sie die Taste, um nachzusehen, wie viel Zeit noch übrig ist. Halten Sie die Taste 3 Sekunden lang gedrückt, um den Timer abzubrechen.

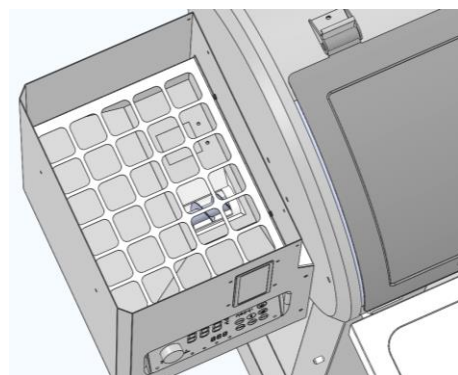
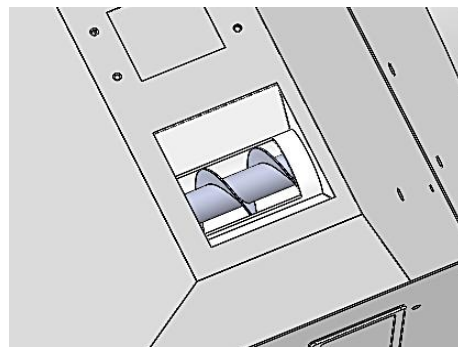


PRIME

Drücken Sie diese Taste, um die Schnecke vor oder nach dem Kochen 30 Sekunden lang in Betrieb zu nehmen. Wenn Sie mehr Zeit benötigen, um die Pellets aus dem Schneckenrichter zu entfernen oder einzufüllen, drücken Sie die Taste erneut, nachdem sie nicht mehr blinkt. Halten Sie die Taste 3 Sekunden lang gedrückt, um diese Aktion abzubrechen.

VOR DER ERSTEN NUTZUNG

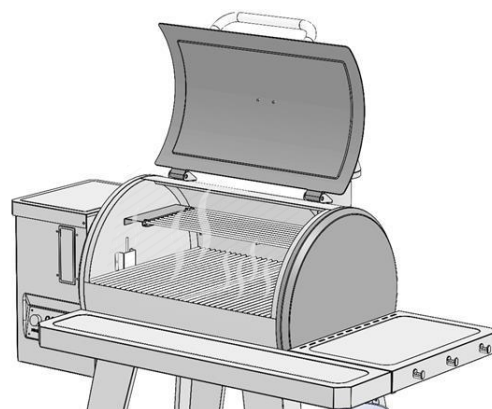
1. Entfernen Sie sämtliche Verpackung vom Grill.
2. Der Grill muss auf einer sicheren Oberfläche installiert werden, bevor er in Betrieb genommen wird.
3. Öffnen Sie den Grill, um nachzusehen, ob die Warmhalteplatte, der Grillrost, der Luftverteiler und die Fettschale richtig installiert sind.
4. Öffnen Sie den Trichterdeckel und prüfen Sie nach, ob keine Fremdkörper die Schnecke behindern.
5. Achten Sie darauf, dass die Sicherheitsabdeckung des Trichters angebracht ist und dass die Reinigungsklappe der Pelletkammer geschlossen und verriegelt ist.
6. Füllen Sie den Trichter mit den von Ihnen ausgewählten Pellets auf den gewünschten Füllstand und schließen Sie den Trichterdeckel.
7. Achten Sie darauf, dass das Netzkabel an den Grill angeschlossen ist, bevor Sie das andere Ende in eine geerdete Steckdose stecken.
8. Schalten Sie den Grill an, indem Sie die Netztaaste am Steuerregler drücken.
9. Öffnen Sie den Grilldeckel.
10. Bereiten Sie den Schneckenrichter vor, indem Sie die Taste PRIME drücken, wodurch die Schnecke 30 Sekunden lang in Betrieb geht. Wiederholen Sie diesen Zyklus, bis Sie hören können, wie die Pellets in die Feuerschale fallen. Halten Sie die Taste PRIME 3 Sekunden lang gedrückt, um dies anzuhalten.
11. Stellen Sie die Temperatur mit dem Drehregler auf 400 °F (204 °C) und drücken Sie den Regler, um den Wert zu bestätigen.
12. Drücken Sie PLAY/PAUSE, um den Zündvorgang zu starten.
13. Schließen Sie den Grilldeckel, sobald der Grill entzündet ist. Während des Zündvorgangs kann der Grill eine Menge Rauch erzeugen.
14. Vor dem ersten Kochen sollten Sie den Grill beobachten. Dieser muss aufwärmen und die Pellets müssen mindestens 30 Minuten lang glühen. Dadurch werden bei der Fertigung verwendete Öle beseitigt und es hilft, den Grill zu würzen.
15. Drücken Sie die Netztaaste erneut, nachdem Sie die Gerichte gewürzt haben, um die automatische Abschaltung einzuleiten.
16. Sobald der Grill ordentlich abgeschaltet hat und ausgekühlt ist, ziehen Sie den Stecker des Grills aus der Stromquelle.
17. Öffnen Sie den Deckel und reinigen Sie den Rost und die Warmhalteplatte mit einer Grillbürste oder einem Holzschaber.
18. Führen Sie entsprechend den Anweisungen im Abschnitt „Pflege und Wartung“ eine sorgfältige Reinigung durch.
19. Achten Sie darauf, dass alle Bauteile wieder ordentlich installiert werden, sobald der Grill sauber ist.



BEI JEDER NUTZUNG

Halten Sie sich bei jeder Nutzung Ihres Oakford Pellet-Grills an die folgenden Schritte:

1. Achten Sie darauf, dass der Trichter mit ausreichend Pellets gefüllt ist. Die empfohlene Pelletmenge finden Sie auf der Pelletanzeige am Trichter.
2. Reinigen Sie den Trichter und entsorgen Sie restliche Asche und Fette. Achten Sie auf Kreosot-Ablagerungen. Entfernen Sie Fett- und Kreosotablagerungen, um das Risiko eines Brandes zu senken.
3. Stecken Sie das Netzkabel immer in eine geerdete Steckdose.
4. Öffnen Sie den Grilldeckel beim Entzünden.
5. Verwenden Sie die Nexgrill-App, um Ihr Grillenerlebnis zu verbessern.



BETRIEBSANWEISUNGEN

ANZÜNDEN DES GRILLS – AUTOMATISCH

Achten Sie darauf, dass Ihr Grill richtig eingerichtet und einsatzbereit ist.

1. Öffnen Sie den Grilldeckel und sehen Sie nach, ob alle Komponenten vorhanden sind.
2. Stellen Sie sicher, dass der Trichter keine Fremdkörper enthält und mit einer ausreichenden Menge Grillpellets gefüllt ist.
3. Achten Sie darauf, dass die Schnecke vorbereitet und einsatzbereit ist. Falls nicht, führen Sie erneut die PRIME-Funktion durch, um den Grill richtig einzurichten.
4. Stecken Sie das Netzkabel in eine richtig geerdete Steckdose und drücken Sie die Taste POWER.
5. Drücken Sie PLAY/PAUSE oder geben Sie zuerst den gewünschten Kochmodus und die Temperatur ein. Falls nichts eingegeben wurde, startet der Grill mit der Standard-Solltemperatur von 360 °F (182 °C). Innerhalb von 5 Minuten sollte Rauch zu sehen sein. Falls nicht, schalten Sie den Steuerregler ab und warten Sie 5 Minuten ab, bevor Sie den Vorgang wiederholen.
6. Schließen Sie den Deckel, sobald der Grill entzündet ist. Stellen Sie den gewünschten Kochmodus und die Temperatur ein, falls dies nicht bereits geschehen ist.
7. Nicht mit dem Kochen anfangen, bevor der Brennstoff nicht mit Asche überzogen ist.

ANZÜNDEN DES GRILLS – MANUELL

Achten Sie darauf, dass Ihr Grill richtig eingerichtet und einsatzbereit ist.

1. Öffnen Sie den Grilldeckel und entfernen Sie den Rost, die Fettschale und den Luftverteiler.
2. Stellen Sie sicher, dass der Trichter keine Fremdkörper enthält und mit einer ausreichenden Menge Grillpellets gefüllt ist.
3. Überprüfen Sie, ob die Feuerschale sauber ist und keine Fremdkörper enthält.
4. Stecken Sie das Netzkabel in eine richtig geerdete Steckdose.
5. Achten Sie darauf, dass die Schnecke vorbereitet und einsatzbereit ist. Falls nicht, führen Sie erneut die PRIME-Funktion durch, um den Grill richtig einzurichten.
6. Geben Sie eine Handvoll Grillpellets in die Feuerschale.
7. Geben Sie einen natürlichen Grillanzünder oder Gel in die Feuerschale.
8. Entzünden Sie den Grill mit einem langen Streichholz oder einem Feuerzeug.
9. Sobald die Pellets gut brennen, können Sie den Luftverteiler, die Fettschale und den Rost wieder einsetzen.
10. Drücken Sie auf POWER.
11. Drücken Sie auf PLAY/PAUSE. Achten Sie darauf, dass Sie weitere Pellets hinzugeben, und dass diese ordentlich abbrennen.
12. Schließen Sie den Deckel, sobald der Grill entzündet ist.
13. Stellen Sie den gewünschten Kochmodus und die Temperatur ein, falls dies nicht bereits geschehen ist.

WARNUNG! Verwenden Sie zur Zündung oder erneuten Zündung kein Spiritus oder Benzin! Verwenden Sie nur EN 1860-3-konforme Feueranzünder!

ABSCHALTEN DES GRILLS

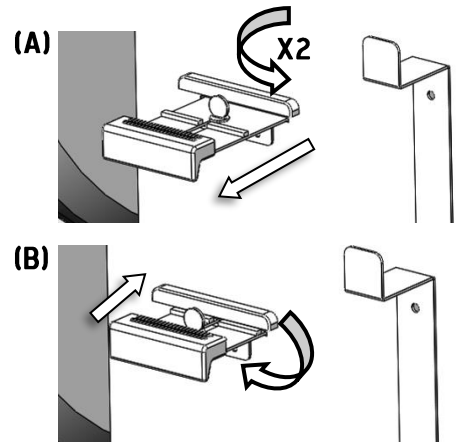
Wenn Sie mit dem Kochen fertig sind, müssen Sie Ihren OAKFORD ordentlich abschalten, um die Feuerschale von übrigen Pellets und Asche zu befreien. Schalten Sie den Grill mit diesem Verfahren nach jeder Nutzung ordentlich ab.

1. Öffnen Sie den Deckel, entfernen Sie alle Fleischsonden und die Lebensmittel.
2. Drücken Sie mit offenem Deckel die Netztaste erneut, um die automatische Abschaltung einzuleiten. Während des Prozesses läuft der Ventilator weiter, bis die Grilltemperatur mindestens 15 Minuten lang unter 130 °F (54 °C) fällt, um Ihnen beim Abbrennvorgang zu helfen. Stecken Sie den Grill erst aus, nachdem der Ventilator fertig ist und abschaltet.
3. Stecken Sie den Grill aus.
4. Warten Sie, bis der Grill vollständig abgekühlt ist, bevor Sie ihn bis zur nächsten Grill-Session verstauen.

PELLETS AUSTAUSCHEN

Wenn Sie den Pellet-Geschmack für die nächste Grillsession verändern möchten, oder den Trichter vollständig entleeren möchten, um ihn gründlich zu warten, befolgen Sie die folgenden Anweisungen:

1. Finden Sie die Öffnung an der Unterseite des Pellettrichters und stellen Sie einen großen Behälter darunter.
2. Locken Sie die Schrauben an der Pellet-Reinigungsklappe an der Rückseite des OAKFORD-Grills, indem Sie sie zwei komplette Drehungen (A) gegen den Uhrzeigersinn drehen.
3. Ziehen Sie die Pellet-Reinigungsklappe heraus, um die Pellets in den Behälter fallen zu lassen.
4. Sobald der Trichter leer ist, drücken Sie die Pellet-Reinigungsklappe wieder in Position und verriegeln Sie sie, indem Sie die Sicherungsschrauben im Uhrzeigersinn drehen (B).
5. Verbinden Sie den Grill mit einer geerdeten Steckdose und drücken Sie die Taste POWER.
6. Drücken Sie PRIME, damit die Schnecke Pellets aus der Förderschnecke in die Feuerschale führt. Wiederholen Sie dies, bis die Schnecke leer ist.
7. Entfernen Sie Pellets und Asche mit einem Staubsauger aus der Feuerschale.



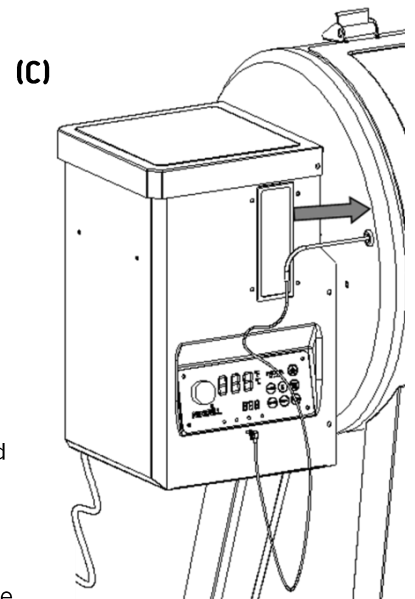
WARNUNG: Führen Sie eine Sichtprüfung des Fingerschutzes des Trichters durch, und überzeugen Sie sich davon, dass er richtig eingesetzt und nicht beschädigt ist, bevor Sie den Trichter mit den gewünschten Pellets befüllen. Tauschen Sie die Pellets nicht aus, während der Grill heiß ist.

TEMPERATURSONDEN VERWENDEN

Verwenden Sie die im Lieferumfang enthaltenen Fleischsonden, um Ihren OAKFORD-Pelletgrill zu regeln, indem Sie die folgenden Schritte durchführen.

1. Stecken Sie die Fleischsonde in die Buchse an der Unterseite des Steuerreglers* und führen Sie sie dann durch die Öffnung auf der linken Seite der Garkammer (C). Tragen Sie hitzebeständige Handschuhe.
2. Führen Sie die Temperatursonde in den dicksten Teil Ihres Fleisches ein.
3. Legen Sie Ihre Lebensmittel auf den Rost und schließen Sie den Grilldeckel.
4. Lesen Sie die Seite Steuerregler-Funktionen, um zu erfahren, welche Zieltemperatur die ausgewählte Sonde haben sollte.

***AUTOMATISCHES AUFWÄRMEN** Nachdem Sie die Fleischsonde in Buchse P1 eingesteckt haben, können Sie die gewünschte Solltemperatur für die Lebensmittel einstellen, um das Automatische Aufwärmen zu aktivieren. Diese Funktion senkt die eingestellte Grilltemperatur automatisch auf 180 °F (82 °C) und das WARM-Symbol wird angezeigt, sobald die Sondentemperatur den Zielwert erreicht. Der Grill bleibt (höchstens 10 Minuten) in der Einstellung WARM und wartet auf die nächste Eingabe des Nutzers. Dadurch wird vermieden, dass Lebensmittel zu lange gekocht werden, wenn der Nutzer nicht da ist, wenn die eingestellte Temperatur der Fleischsonde erreicht wurde. Um diese automatische Warmhaltefunktion zu vermeiden, verwenden Sie stattdessen die Buchsen P2 bis P4. Alternativ können Sie diese Funktion auch in der NEX-Fi-App ausschalten.



PFLEGE- UND WARTUNGSANWEISUNGEN



ACHTUNG!

ACHTEN SIE DARAUF, DASS DER GRILL ABGEKÜHLT IST UND DER STECKER VON DER STROMQUELLE AUSGESTECKT IST, BEVOR SIE REINIGUNGS- ODER WARTUNGSARBEITEN ANFANGEN.

INNENRAUM

GRILLROST

- Nachdem der Grill abgekühlt ist, sollten Sie beide Seiten des Rosts mit einer Drahtbürste reinigen.
- Eingebrennte oder eingebackene Lebensmittelreste können mit einem Schaber entfernt werden.
- Roste können auch vom Grill entfernt und mit Spülmittel und warmem Wasser gereinigt werden. Gründlich trocknen lassen.
- Der Rost sollte nach jeder Nutzung gereinigt werden.

FETTSYSTEM

- Entfernen Sie den Grillrost und schaben Sie Lebensmittel- und Fettreste von der Fettschale ab und verwenden Sie einen Schaber oder eine Grillbürste.
- Fettschalen können auch vom Grill entfernt und mit Spülmittel und warmem Wasser gereinigt werden. Gründlich trocknen lassen.
- Sie können den Fettnapf mit entsprechender Folie ausstatten, damit er sich leichter reinigen lässt.
- Die Fettschale sollte nach jeder Nutzung gereinigt werden. Der Fettnapf sollte geleert werden, wenn er zu $\frac{3}{4}$ voll ist.

INNENSEITEN

- Bürsten oder schaben Sie sämtliche Fettrückstände mit einem Schaber oder einer Grillbürste ab, die sich auf den Innenseiten befinden.
- Saugen Sie Asche und Lebensmittelreste vom Boden des Feuerraums und der Feuerschale.
- Alle Oberflächen können mit mildem Seifenwasser und / oder einem sanften Entfetter gewaschen werden. Gründlich trocknen lassen.
- Die Innenseiten sollten im Auge behalten und gereinigt werden, wenn sich Fettablagerungen bilden, zumindest aber zweimal pro Jahr.

AUSSENSEITE

BESCHICHTETE OBERFLÄCHEN UND KUNSTSTOFFOBERFLÄCHEN

- Nachdem der Grill vollständig abgekühlt ist, können Sie die Außenseiten mit einer sanften Seifenwasserlösung abgewischt werden. Gründlich trocknen lassen.
- Verwenden Sie keine aggressiven Reinigungsmittel.

EDELSTAHL (NUR BEI EINIGEN MODELLEN)

- Verwenden Sie einen Edelstahlreiniger und ein weiches, fusselfreies Tuch, um Edelstahlkomponenten zu reinigen.
- Immer in Richtung der Körnung reinigen, um Kratzer zu vermeiden. Verwenden Sie keine Papiertücher.

SPRÜHEN SIE DEN GRILL NICHT MIT EINEM GARTENSCHLAUCH ODER MIT EINER SPRITZWASSERPISTOLE AB, UM SCHÄDEN AN DEN ELEKTRISCHEN BAUTEILEN ZU VERMEIDEN.

AUFBEWAHRUNG

- Decken Sie Ihren Grill während der Lagerung stets ab, um Korrosion und andere Schäden am Grill zu vermeiden, besonders, wenn dieser in einer regnerischen oder feuchten Umgebung aufbewahrt wird.
- Vor der Lagerung sollten Sie alle Pellets aus dem Trichter und / oder der Schnecke entfernen, vor allem dann, wenn Sie den Grill in einer feuchten Umgebung aufbewahren. Feuchtigkeit führt dazu, dass sich die Pellets ausdehnen, was wiederum dazu führen kann, dass die Schnecke verstopft. Leeren Sie übrige Pellets über die Pellet-Klappe an der Rückseite des Trichters in einen Behälter und verbrennen Sie alle übrigen Pellets, die sich in der Schnecke befinden, bevor Sie das Gerät lagern.
- Lagern Sie übrige Holz-Pellets in einem luftdicht verschlossenen Behälter, abseits von wärmeerzeugenden Geräten, abseits von Feuchtigkeit und anderen Treibstoffbehältern. Überprüfen Sie vor der Nutzung, wie frisch die Pellets noch sind, indem Sie eines auseinanderbrechen. Die Pellets sollten beim Brechen ein Knackgeräusch von sich geben. Wenn der Pellet zerbröselt, heißt das, dass er nicht mehr frisch ist und die Leistung des Grills beeinträchtigen wird.



- Kreosot – Bildung und Entfernung. Wenn Holzpellets langsam verbrannt werden, produzieren diese Teer und andere organische Dämpfe, die zusammen mit der umgebenden Feuchtigkeit Kreosot bilden. Die Kreosotdämpfe kondensieren in der relativ kühlen Abzugshaube eines langsam brennenden Feuers. Dadurch entstehen Kreosotablagerungen auf dem Abzug und in der Abzugshaube. Kreosot brennt extrem heiß.
- Der Fettkanal sollte mindestens zweimal pro Jahr untersucht werden, um festzustellen ob sich Fett und / oder Kreosot gebildet hat.
- Wenn sich Fett oder Kreosot angesammelt hat, sollte es entfernt werden, um die Brandgefahr zu senken.

FEHLERBEHEBUNG

FEHLERCODE

In seltenen Fällen erkennt Ihr Steuerregler ein Problem und zeigt einen Fehlercode an. Hier ist eine Liste mit Beschreibung der Fehler und der Lösungen:

FEHLERCODE	FEHLERBESCHREIBUNG	LÖSUNG
ER1	Fehler des Sensors der Thermokupplung am Feuerraum	Der Fehler tritt auf, wenn die Thermokupplung aufgrund einer lockeren Verbindung oder eines Ausfalls der Thermokupplung keine Verbindung mehr mit dem Steuerregler hat und ausgewechselt werden muss.
ER2	Zündungsfehler	Der Fehler tritt auf, wenn der Grill innerhalb von 15 Minuten nach der Festlegung der Temperatur keinen Temperaturanstieg erfasst, was darauf hindeutet, dass keine Zündung stattgefunden hat. Die Umgebungstemperatur, ein verstopfter Schneckenrichter, mangelnde Pellets, eine Ansammlung von Asche und so weiter können sich auf die Zündung auswirken. Überprüfen Sie das Pellet-Zufuhrsystem und starten Sie den Grill neu.
ER3	Fehler aufgrund hoher Temperatur	Dieser Fehler tritt auf, wenn die Temperatur im Grill 675 °F überschreitet (357 °C). Lassen Sie den Grill abkühlen und schalten Sie ihn dann aus. Starten Sie den Grill neu, nachdem Sie die übrigen Pellets aus dem Feuerraum entfernt haben.
ER4	Fehler aufgrund niedriger Temperatur	Wenn die Temperatur im Grill zu sehr unter die Solltemperatur fällt, erscheint dieser Fehlercode. Dies kann passieren, wenn der Deckel geöffnet ist. In diesem Fall kann der Nutzer den Fehlercode beseitigen, indem er auf den Drehregler drückt. Wenn Sie nicht mit offenem Deckel kochen, kann dies auch bedeuten, dass die Zündung ausgegangen ist. In diesem Fall sollte der Nutzer den Grill abschalten und die Brennkammer leeren, bevor er einen Neustart durchführt.
ER5	Kommunikationsfehler Sonde	Dieser Fehler tritt auf, wenn eine Temperatursonde in Buchse P1, bei der eine Solltemperatur eingestellt wurde, die Verbindung verliert. Überprüfen Sie, ob die Fleischsonde richtig mit dem Steuerregler verbunden ist. Falls das Problem bestehen bleibt, muss die Sonde ersetzt werden.
ER9	Ausfall der Netzwerkkommunikation	Wenn der Steuerregler zuvor an das Wi-Fi-Netzwerk angeschlossen war, zeigt dieser Fehler an, dass die Internetverbindung nicht funktioniert und / oder die Verbindung zum Wi-Fi-Netzwerk getrennt wurde. Starten Sie Ihren Grill erneut und achten Sie darauf, dass Ihr Grill über ein starkes Wi-Fi-Signal verfügt.

HINWEIS: Um einen Fehlercode zu beseitigen, drücken Sie den Drehregler.

FEHLERBEHEBUNG

HÄUFIG GESTELLTE FRAGEN

FRAGE	ANTWORT
Was kann ich tun, wenn die Schnecke verstopft ist?	<ol style="list-style-type: none">1. Stecken Sie den Grill aus und lassen Sie ihn abkühlen.2. Wenn die Verstopfung im Pellettrichter nicht gelöst werden kann, müssen möglicherweise die Schnecke und der Motor ausgebaut werden.3. Wenden Sie sich an den Kundendienst, wenn Sie Hilfe bei der Entfernung der Schnecke und der Reinigung benötigen.
Warum schwankt die Temperatur in meinem Pellet-Grill?	Temperaturschwankungen sind normal. Starke Schwankungen entstehen durch Wind und die Umgebungstemperatur, die Menge der Pellets oder mangelnde Wartung. Verwenden Sie den Pelletgrill nicht, wenn es draußen regnet oder windig ist.
Warum bleibt das Feuer nicht an?	Überschüssige Asche in der Brennkammer kann dazu führen, dass die Zündung abgedeckt wird, wodurch die Pellets nicht richtig brennen. Stecken Sie den Grill aus und lassen Sie ihn abkühlen, entfernen Sie dann den Grillrost, die Fettschale und den Hitzeverteiler. Entfernen Sie sämtliche Pellets und die Asche aus der Brennkammer. Am besten entfernen Sie die Asche aus der Brennkammer mit einem Staubsauger.
Warum heizt der Grill nicht auf die Solltemperatur auf?	Dies ist in der Regel der Fall, wenn die Brennkammer nicht genug Sauerstoff erhält, um die gewünschte Temperatur zu erreichen. Untersuchen Sie die Brennkammer und achten Sie darauf, dass sich nicht zu viel Asche darin befindet. Überprüfen Sie den Trichter und geben Sie gegebenenfalls mehr Pellets hinzu. Ersetzen Sie die Pellets, wenn sie feucht sind. Sie sollten auch den Ventilator überprüfen, um sicherzustellen, dass er richtig funktioniert.
Wie vermeide ich Stichflammen?	Wenn Sie Lebensmittel mit viel Fett kochen, sollten Sie die Temperatur unter 350 °F (177 °C) halten, um Stichflammen zu vermeiden.

RUFEN SIE UNS AN

Falls Sie Hilfe oder Ersatzteile benötigen, rufen Sie bitte unseren Kundendienst an, unter:
1-800-913-8999,
8 AM – 5 PM, PST,
Montag – Freitag.



WICHTIG:

Verwenden Sie nur vom Hersteller zugelassene Bauteile. Die Nutzung von Bauteilen, die nicht vom Hersteller zugelassen ist, kann gefährlich sein. Außerdem wird dadurch Ihre Garantie ungültig.

ERSATZTEILE BESTELLEN

Sorgen Sie dafür, dass Sie die richtigen Ersatzteile für Ihren Grill bestellen, indem Sie sich an die Ersatzteilliste halten. Bewahren Sie diese Montage- und Betriebsanweisung zum Nachschlagen und zur Bestellung von Ersatzteilen gut auf.

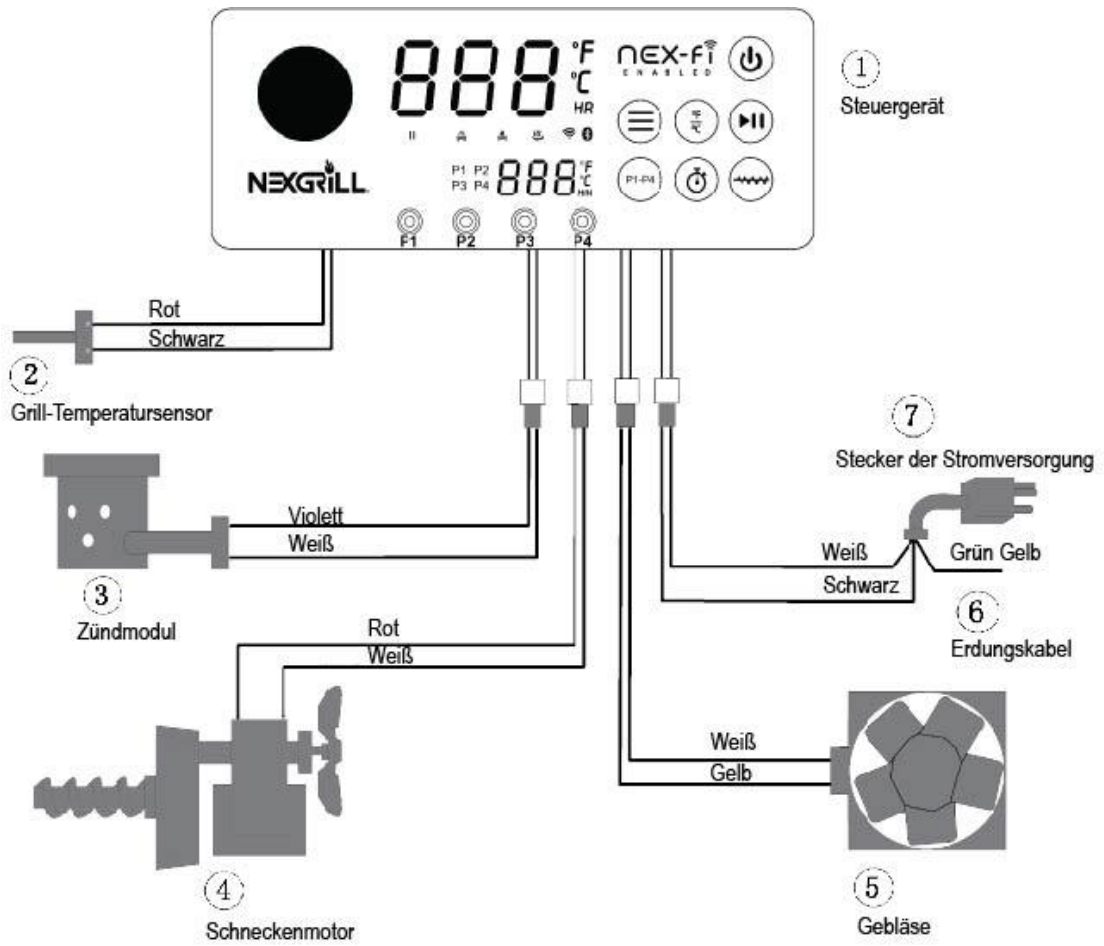
DIE FOLGENDEN INFORMATIONEN SIND NÖTIG, UM SICHERZUSTELLEN, DASS SIE DIE RICHTIGEN BAUTEILE BESTELLEN:

- Oakford™ Pelletgrill Modellnummer
- Seriennummer
- Bauteilnummer
- Beschreibung
- Menge

UM ERSATZTEILE ZU ERHALTEN, SOLLTEN SIE SICH AN UNSERE KUNDENDIENST-HOTLINE WENDEN

1-800-913-8999 in den USA 8 AM – 5 PM, PST. Montag – Freitag.

ELEKTRISCHER SCHALTPLAN



EINGESCHRÄNKTE GARANTIE

Der Hersteller garantiert dem Endverbraucher **NUR**, dass das Produkt (*Modell #910-05001*) keine Mängel in der Verarbeitung und den Materialien aufweist, allerdings nur nach korrektem Aufbau und bei normaler und angemessener Verwendung zu Hause und auch nur für die unten angegebenen Zeiträume, gültig ab Kaufdatum. Der Hersteller behält sich das Recht vor, Beweisfotos von Schäden anzufordern oder die Rücksendung defekter Teile zu verlangen (Porto und/oder Fracht vom Kunden im Voraus bezahlt), um eine Überprüfung und Untersuchung durchführen zu können. Nexgrill Verpflichtungen sind auf Reparatur, Ersatz oder Wertminderung beschränkt, im Ermessen von Nexgrill.

Alle Pelletgrill-Modelle	GARANTIE
Der Feuerraum und alle nicht in der Garantie enthaltenen Komponenten finden Sie unten	5 Jahre
Elektrische Bauteile	3 Jahre
Grillrost	3 Jahre

Unter der Voraussetzung, dass der Verbraucher den Kauf gemäß den hier festgelegten Bedingungen nachweist, repariert oder ersetzt der Hersteller die Teile, die sich während der entsprechenden Garantiezeit als defekt erwiesen haben. Die Reparatur oder der Austausch der Teile ist für Sie kostenlos, abgesehen von den Versandkosten, solange Sie als Käufer innerhalb der Garantiezeit ab dem ursprünglichen Kaufdatum liegen. Der Endverbraucher ist vollumfänglich für die Versandgebühren solcher Teile verantwortlich, die im Rahmen dieser eingeschränkten Garantie ersetzt werden. Die eingeschränkte Garantie gilt in den Vereinigten Staaten von Amerika und in Kanada, und nur der Originalbesitzer des Produktes kann sie in Anspruch nehmen. Sie ist **nicht übertragbar**. Der Hersteller verlangt einen angemessenen Nachweis des Kaufdatums. Aus diesem Grund sollten Sie Ihre Quittung und/oder Ihre Rechnung aufbewahren. Falls Sie diese Einheit als Geschenk erhalten haben, bitten Sie bitte den/die Schenkende/n, die Quittung in Ihrem Namen an folgende Adresse zu schicken. Defekte oder fehlende Teile werden gemäß dieser eingeschränkten Garantie ohne Registrierung oder Nachweis des Kaufs nicht ersetzt. **Diese eingeschränkte Garantie gilt NUR für die Funktionalität des Produkts und deckt keine kosmetischen Probleme wie Kratzer, Dellen, Korrosionen oder durch Hitze, scheuernde und chemische Reinigungsmittel oder andere beim Aufbau oder der Installation des Geräts verwendete Werkzeuge entstandenen Verfärbungen, Oberflächenrost oder Verfärbungen von Oberflächen aus rostfreiem Stahl ab. Oberflächenrost, Korrosion oder abgeplatzte Stellen im Pulverlack auf Metallteilen, welche die bauliche Unversehrtheit des Produkts nicht beeinträchtigen, gelten nicht als Mängel in der Verarbeitung oder im Material und werden durch diese Garantie nicht abgedeckt.** Diese eingeschränkte Garantie entschädigt Sie nicht für die Kosten von Unannehmlichkeiten, Lebensmitteln, Personen- oder Sachschäden. Falls ein Originalersatzteil nicht verfügbar ist, schicken wir Ihnen ein vergleichbares Ersatzteil. Sie sind vollumfänglich für die Versandgebühren solcher Teile verantwortlich, die im Rahmen dieser eingeschränkten Garantie ersetzt werden.

DER HERSTELLER ZAHLT NICHT FÜR:

- Serviceeinsätze bei Ihnen zu Hause
- Reparaturen, falls Ihr Produkt zu anderen Zwecken zum Einsatz kommt als der Verwendung in normalen Einfamilienhaushalten oder Wohnzwecken
- Schäden, die durch Unfälle, Veränderungen am Gerät, Fehlanwendung, unzureichende Wartungs-/Reinigungsarbeiten, Missbrauch, Brand, Überschwemmung, höhere Gewalt, unsachgemäße Installationen und Installationen, die nicht den Elektrik- und Sanitärvorschriften entsprechen.
- Sämtliche Nahrungsmittelverluste, die aufgrund von Produktfehlern entstehen
- Ersatzteile oder Reparaturkosten für Einheiten, die außerhalb der Vereinigten Staaten von Amerika oder Kanada betrieben werden
- Abholung und Lieferung Ihres Produktes
- Versandgebühren und Verarbeitungsgebühren für Fotos, die als Dokumentation verschickt werden
- Reparaturen von Teilen oder Systemen, die aus unautorisierten Änderungen am Produkt resultieren
- Entfernung und/oder Wiederaufbau Ihres Produkts
- Versandkosten, egal ob Standard oder Express, für Garantieteile / Teile ohne Garantieanspruch und Ersatzteile

HAFTUNGSAUSSCHLUSS ZU STILLSCHWEIGENDEN GEWÄHRLEISTUNGEN, EINSCHRÄNKUNG DER RECHTSMITTEL

Die Reparatur oder der Austausch defekter Teile *ist Ihr exklusives Rechtsmittel gemäß dieser eingeschränkten Garantie*. Der Hersteller trägt keine Verantwortung für irgendwelche indirekten oder zufälligen Schäden, die durch den Verstoß gegen diese eingeschränkte Garantie oder irgendeine anwendbare stillschweigende Gewährleistung oder aufgrund von Ausfällen oder Schäden durch höhere Gewalt, unsachgemäße Pflege und Wartung, Fettbrand, Unfälle, Änderungen, den Austausch von Teilen durch jemand anderen als den Hersteller, Fehlanwendung, Transport, gewerbliche Nutzung, Missbrauch, produktfeindliche Umgebungen (einschließlich Wetter, Naturereignisse und Manipulationen am Gerät durch Tiere), unsachgemäße Installationen oder Installationen, die nicht den örtlichen Vorschriften oder den gedruckten Anweisungen des Herstellers entsprechen, entstehen.

DIESE EINGESCHRÄNKTE GARANTIE IST DIE EINZIGE VERTRAGLICHE GEWÄHRLEISTUNG SEITENS DES HERSTELLERS. KEINE PRODUKTLEISTUNGEN, -SPEZIFIKATIONEN ODER BESCHREIBUNGEN, WO AUCH IMMER SIE AUFTAUCHEN, FALLEN UNTER DIE GEWÄHRLEISTUNG DURCH DEN HERSTELLER, ABGESEHEN VON DEM UMFANG IN DIESER EINGESCHRÄNKTEN GARANTIE. SÄMTLICHER STILLSCHWEIGENDER GARANTIESCHUTZ, ENTSTEHEND AUS DEN GESETZEN EINES JEDEN STAATES ODER EINER JEDEN PROVINZ, EINSCHLIEßLICH STILLSCHWEIGENDER GEWÄHRLEISTUNG VON MARKTFÄHIGKEIT ODER EIGNUNG FÜR EINEN BESTIMMTEN VERWENDUNGSZWECK, BESCHRÄNKT SICH HIERMIT IN BEZUG AUF DIE DAUER AUF DIE DAUER DIESER EINGESCHRÄNKTEN GARANTIE.

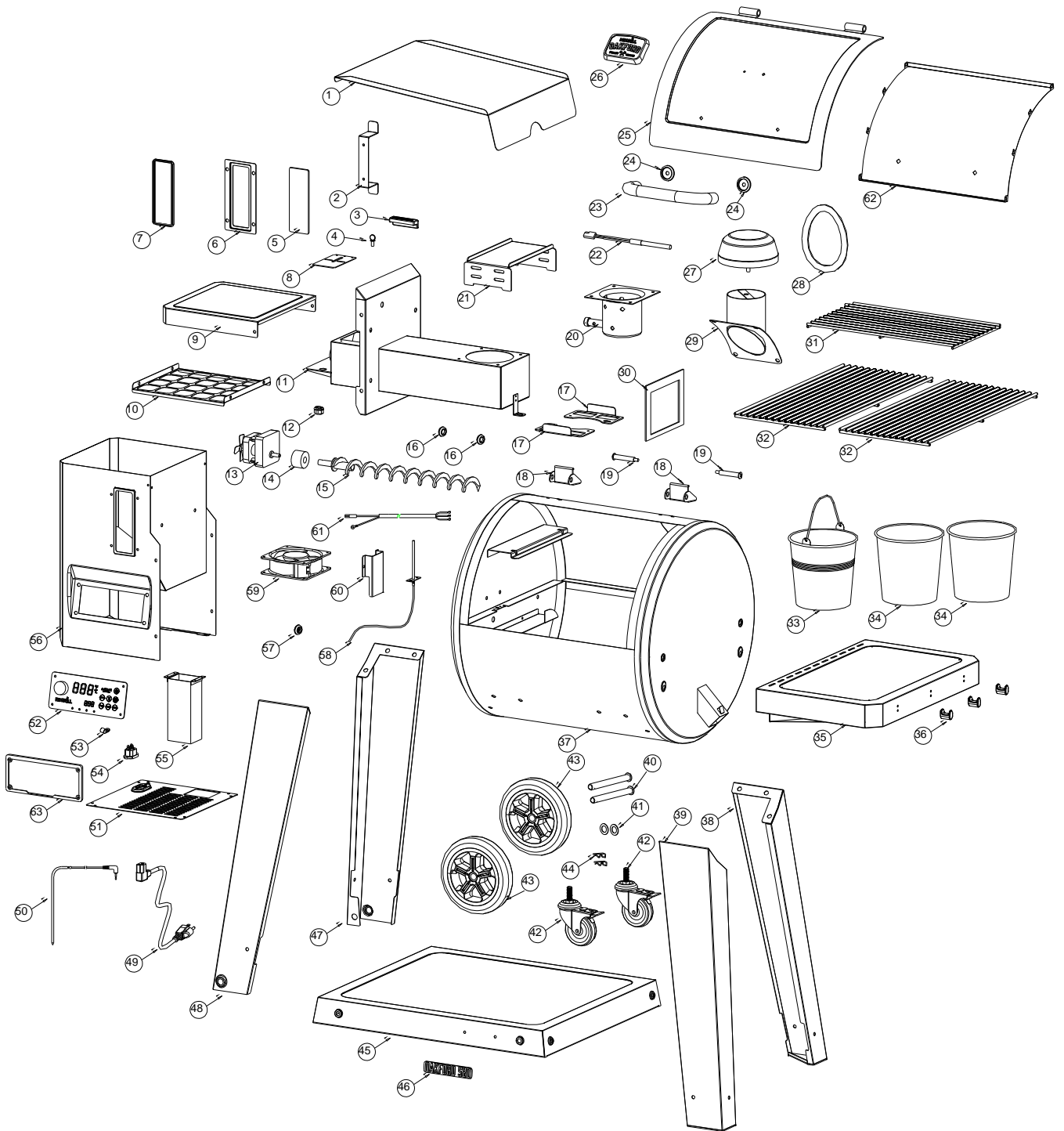
Weder Händler noch das Einzelhandelsunternehmen, das dieses Produkt verkauft, hat die Befugnis, irgendwelche zusätzlichen Garantien auszusprechen oder Entschädigungen zu versprechen, welche über die hier genannten hinausgehen oder im Widerspruch zu diesen stehen. Die maximale Haftbarkeit des Herstellers überschreitet in keinem Fall den dokumentierten Verkaufspreis des Produkts, der vom Endkunden bezahlt wurde. Diese Garantie gilt nur für Einheiten, die von einem autorisierten Einzelhändler oder Wiederverkäufer erworben wurden. **HINWEIS:** Einige Staaten gestatten keine Ausschließung oder Einschränkung zufälliger oder indirekter Schäden. Einige der oben genannten Einschränkungen oder Ausschließungen könnten also eventuell für Sie nicht gelten. Diese eingeschränkte Garantie erteilt Ihnen bestimmte Rechte, wie sie hier dargelegt sind. Sie könnten auch weitere Rechte haben, die sich von Staat zu Staat unterscheiden.

Falls Sie die Erfüllung von Verpflichtungen im Rahmen dieser eingeschränkten Garantie verlangen möchten, schreiben Sie bitte an folgende Adresse:

**Nexgrill Customer Relations
14050 Laurelwood Place,
Chino, CA 91710**

Sie können telefonisch unter 800-913-8999 in den USA oder 1-800-648-5864 in Kanada Anfragen zu Rückgaben stellen, die Bestellung von Bauteilen aufgeben, und allgemeine Fragen stellen oder um Hilfe bei der Fehlerbehebung bitten. Wir sprechen: Englisch, Französisch, Spanisch, 8:00 bis 17:00 Uhr, PST. Montag – Freitag.

ERSATZTEILE



ERSATZTEILE

NR.	BAUTEIL (BESCHREIBUNG)	GARANTIEL- EISTUNG	MEN GE	NR.	BAUTEIL (BESCHREIBUNG)	GARANTIEL- EISTUNG	MEN GE
1	Fettschale	5	1	33	Fetteimer	5	1
2	Netzkabel-Klammer	5	1	34	Einsatz für Fetteimer	5	2
3	Griff der Schüttrinnenplatte	5	1	35	Seitenablage	5	1
4	Schraube der Schüttrinnenplatte	5	1	36	Haken	5	3
5	Glasscheibe	5	1	37	Feuerraum	5	1
6	Klemme der Glasscheibe	5	1	38	Wagenrad, rechts hinten	5	1
7	Dichtung der Glasscheibe	5	1	39	Wagenrad, rechts vorne	5	1
8	Pelletreinigungsklappe	5	1	40	Radachse	5	2
9	Trichterdeckel	5	1	41	Rad-Unterlegscheibe	5	2
10	Sicherheitsblende des Trichters	5	1	42	Verschluss	5	2
11	Schneckengehäuse	5	1	43	7"-Rad	5	2
12	Befestigung des Netzkabels	5	1	44	Radstift	5	2
13	Schneckenmotor	3	1	45	Untere Blende	5	1
14	Nylon-Buchse	5	1	46	Typenschild (auf unterer Blende)	5	1
15	Schnecke	3	1	47	Wagenrad, links hinten	5	1
16	Silikonring A (für Motorleitung / Kabelöffnung für Zündstab)	5	2	48	Wagenrad, links vorne	5	1
17	Klammer des Hitzeverteilers	5	2	49	Netzkabel	3	1
18	Deckelscharnier	5	2	50	Fleischsonde	3	1
19	Deckelstift	5	2	51	Untere Blende Trichter	5	1
20	Brennkammer	5	1	52	Steuerregler	3	1
21	Hitzeverteilers	5	1	53	Kabelklemme	5	1
22	Zündstab	5	1	54	Männlicher Adapter	5	1
23	Griff des Deckels	5	1	55	Pelletrutsche	5	1
24	Blende des Griffs des Deckels	5	2	56	Trichter	5	1
25	Hauptdeckel	5	1	57	Silikonring B (Für Loch der Fleischsonde)	5	1
26	Typenschild (auf dem Deckel)	5	1	58	RTD	3	1
27	Rauchabzugsklappe	5	1	59	Ventilator	3	1
28	Rauchabzugsdichtung	5	1	60	RTD-Abdeckung	5	1
29	Rauchabzug	5	1	61	Kabel des Steuerreglers	5	1
30	Dichtung des Trichtergehäuses	5	1	62	Hitzeschild des Deckels	5	1
31	Warmhalteplatte	3	1	63	Abdeckung des Steuerreglers	5	1
32	Grillrost	3	2				

THIS PAGE INTENTIONALLY LEFT BLANK
PAGE LAISSÉE INTENTIONNELLEMENT VIDE
PÁGINA DEJADA EN BLANCO INTENCIONALMENTE
DENNE SIDE ER BEVIDST TOM
DIESE SEITE IST ABSICHTLICH LEER

NEXGRILL

OAKFORD

PELLET  GRILLS

©2021 NEXGRILL INDUSTRIES, INC.
CHINO, CA. 91710
WWW.NEXGRILL.COM
1-800-913-8999